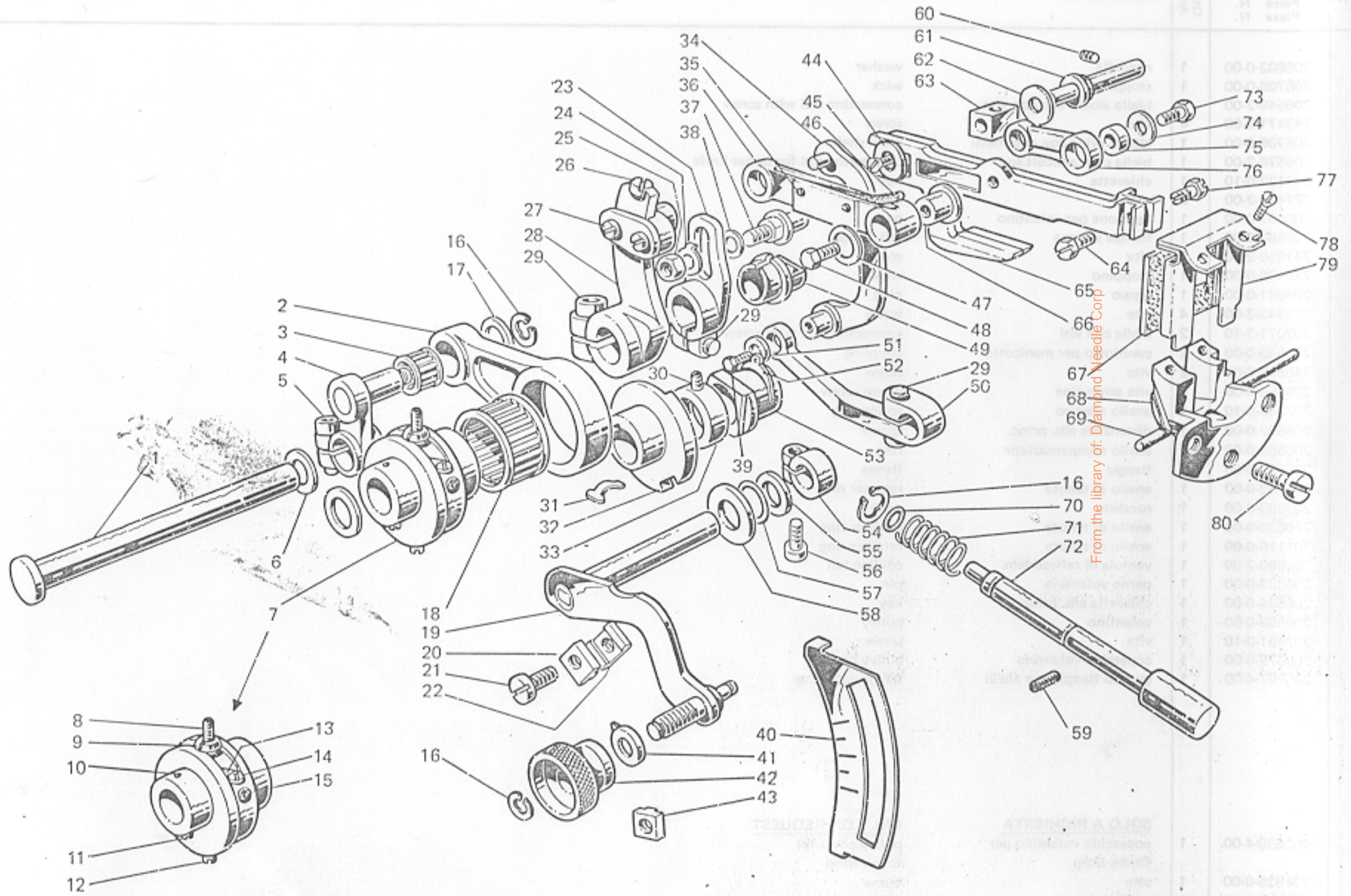


From the library of: Diamond Needle Corp

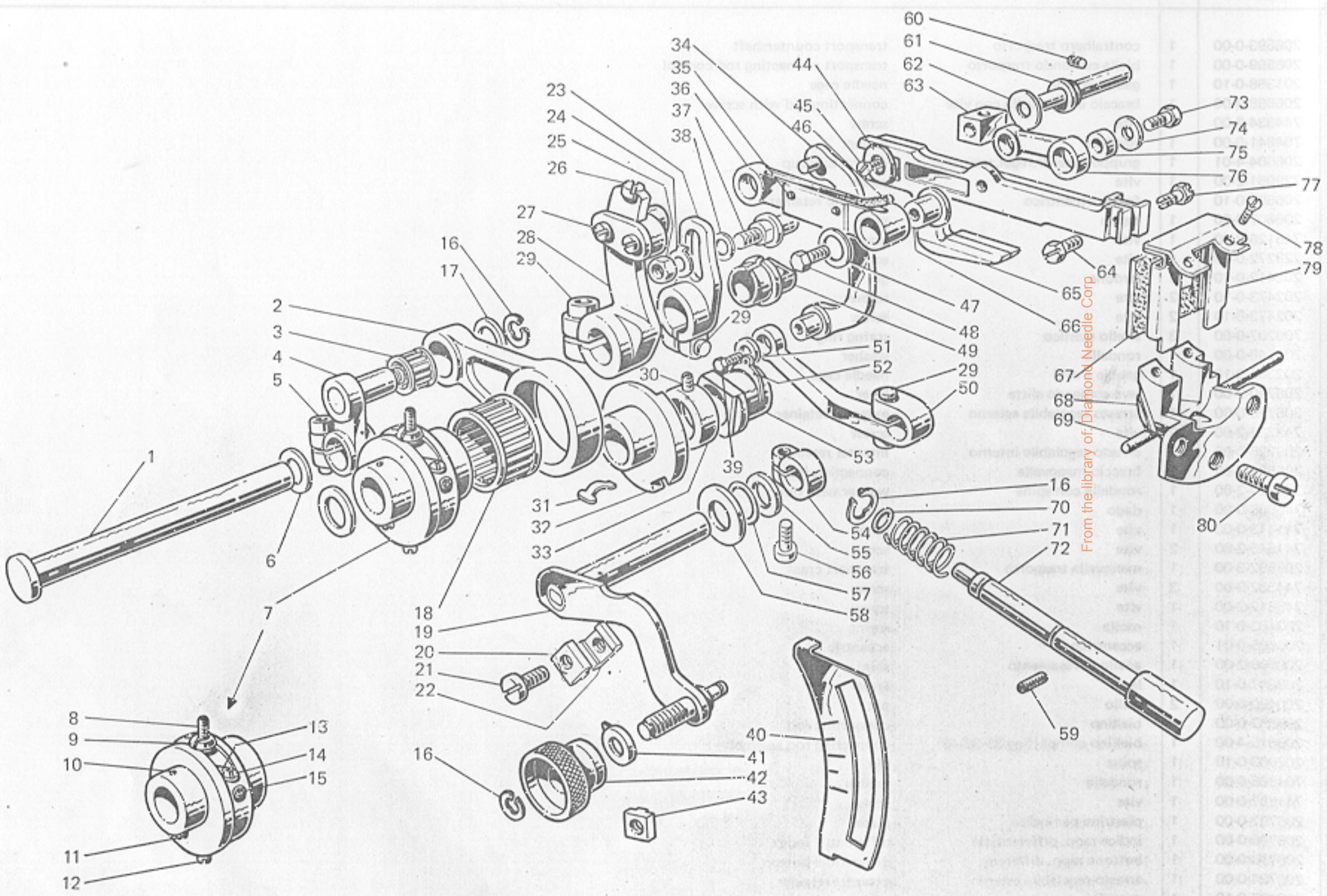
| Fig. N. Abb. N. | Part. N. Bestell N. Pieza N. | Qt. Anzahl | DESCRIZIONE | DESCRIPTION | BENENNUNG | DESCRIPTION | DESCRIPCION |
|--------------------|------------------------------------|---------------|---|---|-----------|-------------|-------------|
| 1 | 206602-0-00 | 1 | rondella | washer | | | |
| 2 | 206708-0-00 | 1 | stoppino | wick | | | |
| 3 | 206549-2-00 | 1 | biella albero sup, con vite | connecting rod with screw | | | |
| 4 | 743471-2-00 | 4 | vite | screw | | | |
| 5 | 206705-3-00 | 1 | albero princ. con cuscinetti | main shaft | | | |
| 6 | 206578-2-00 | 1 | biella com. alb. colt. sup. | connecting rod for upper knife | | | |
| 7 | 204122-0-10 | 1 | chiavetta | key | | | |
| 8 | 721464-2-00 | 3 | vite | screw | | | |
| 9 | 206507-0-00 | 1 | tampone per volantino | pad | | | |
| 10 | 206680-0-00 | 1 | flangia sinistra | left flange | | | |
| 11 | 741956-2-00 | 3 | vite | screw | | | |
| 12 | 778406-0-00 | 1 | stoppino | wick | | | |
| 13 | 206681-0-00 | 1 | tappo | plug | | | |
| 14 | 743343-2-00 | 4 | vite | screw | | | |
| 15 | 202071-2-10 | 2 | biella con viti | connecting rod with screw | | | |
| 16 | 206643-0-00 | 2 | cavallotto per manicotto | coupling | | | |
| 17 | 745800-2-00 | 2 | vite | screw | | | |
| 18 | 206556-0-00 | 1 | vite senza fine | worm screw | | | |
| 19 | 202386-0-10 | 1 | anello elastico | spring ring | | | |
| 20 | 206692-0-00 | 1 | distanziale alb. princ. | spacer | | | |
| 21 | 206689-0-00 | 1 | anello compensazione | ring | | | |
| 22 | 206699-0-00 | 1 | flangia | flange | | | |
| 23 | 701133-0-00 | 1 | anello di tenuta | retainer ring | | | |
| 24 | 206693-0-00 | 1 | rondella | washer | | | |
| 25 | 700630-0-00 | 1 | anello di tenuta | retainer ring | | | |
| 26 | 701116-0-00 | 1 | anello di tenuta | retainer ring | | | |
| 27 | 206690-2-00 | 1 | ventola di raffreddam. | cooling fan | | | |
| 28 | 206683-0-00 | 1 | perno volantino | pin | | | |
| 29 | 206684-0-00 | 1 | chiavetta alb. princ. | key | | | |
| 30 | 206508-0-00 | 1 | volantino | pulley | | | |
| 31 | 202491-0-10 | 1 | vite | screw | | | |
| 32 | 206679-0-00 | 1 | coperchio volantino | pulley cover | | | |
| * | 206697-4-00 | 1 | gruppo flangia con anelli | flange with ring | | | |
| A | 202539-4-00 | 1 | <u>SOLO A RICHIESTA</u> coperchio volantino per Quick Stop | <u>ONLY ON REQUEST</u> pulley cover for Quick Stop | | | |
| B | 721525-0-00 | 1 | vite | screw | | | |
| C | 703007-0-00 | 1 | rondella | washer | | | |
| D | 202352-2-11 | 1 | coperchio | cover | | | |

From the library of: Diamond Needle Corp



| Fig. N. Abb. N. | Part. N. Bestell N. Piece N. Pieza N. | Qt. Anzahl | DESCRIZIONE | DESCRIPTION | BENENNUNG | DESCRIPTION | DESCRIPCION |
|-----------------|---------------------------------------|------------|--------------------------------|----------------------------------|-----------|-------------|-------------|
| 1 | 206593-0-00 | 1 | contralbero trasporto | transport countershaft | | | |
| 2 | 206599-0-00 | 1 | biella comando trasporto | transport connecting rod control | | | |
| 3 | 201358-0-10 | 1 | gabbia a rulli | needle cage | | | |
| 4 | 206598-3-00 | 1 | braccio a manovella con vite | connecting-rod with screw | | | |
| 5 | 744334-2-00 | 1 | vite | screw | | | |
| 6 | 704841-0-00 | 1 | rondella | washer | | | |
| 7 | 206604-4-01 | 1 | gruppo eccentr.regol.trasporto | eccentric group | | | |
| 8 | 729051-2-00 | 1 | vite | screw | | | |
| 9 | 206603-0-10 | 1 | fermo eccentrico | eccentric retainer | | | |
| 10 | 206607-0-00 | 1 | tappo | plug | | | |
| 11 | 745126-2-00 | 1 | vite | screw | | | |
| 12 | 728272-0-00 | 1 | vite | screw | | | |
| 13 | 202412-0-10 | 1 | lardone | gib | | | |
| 14 | 202473-0-10 | 2 | vite | screw | | | |
| 15 | 202472-0-10 | 2 | vite | screw | | | |
| 16 | 700207-0-00 | 3 | anello elastico | spring ring | | | |
| 17 | 206546-0-00 | 1 | rondella | washer | | | |
| 18 | 202385-0-10 | 1 | gabbia a rulli | needle cage | | | |
| 19 | 206790-2-00 | 1 | leva comando slitta | lever | | | |
| 20 | 206799-0-00 | 1 | arresto regolabile esterno | external retainer | | | |
| 21 | 742232-2-00 | 2 | vite | screw | | | |
| 22 | 206795-0-00 | 2 | arresto regolabile interno | internal retainer | | | |
| 23 | 206584-2-00 | 1 | braccio manovella | connecting rod | | | |
| 24 | 206580-2-00 | 1 | rondella con spina | washer with pin | | | |
| 25 | 746008-0-00 | 1 | dado | nut | | | |
| 26 | 741413-0-00 | 1 | vite | screw | | | |
| 27 | 741546-2-00 | 2 | vite | screw | | | |
| 28 | 206592-3-00 | 1 | manovella trasporto | transport crank | | | |
| 29 | 744332-2-00 | 3 | vite | screw | | | |
| 30 | 745812-2-00 | 1 | vite | screw | | | |
| 31 | 202403-0-10 | 1 | molla | spring | | | |
| 32 | 206605-0-01 | 1 | eccentrico | eccentric | | | |
| 33 | 206606-2-00 | 1 | anello di rasamento | shim | | | |
| 34 | 202047-0-10 | 1 | leva | lever | | | |
| 35 | 200490-0-00 | 2 | spillo | pin | | | |
| 36 | 206527-0-00 | 1 | biellino | connecting rod | | | |
| * | 206615-4-00 | 1 | biellino compl.(figg.35-36-46) | connecting rod assembly | | | |
| 37 | 202063-0-10 | 1 | spina | pin | | | |
| 38 | 704808-0-00 | 1 | rondella | washer | | | |
| 39 | 741657-0-00 | 1 | vite | screw | | | |
| 40 | 206797-0-00 | 1 | piastrina per indice | plate | | | |
| 41 | 206796-0-00 | 1 | indice rapp. differenziale | differential index | | | |
| 42 | 206798-0-00 | 1 | bottono rapp. differenz. | differential button | | | |
| 43 | 206794-0-00 | 1 | arresto regolabile esterno | external retainer | | | |
| 44 | 202475-0-10 | 1 | rondella | washer | | | |
| 45 | 724032-0-00 | 1 | vite | screw | | | |
| 46 | 778417-0-00 | 1 | stoppino | wick | | | |
| 47 | 705008-0-00 | 1 | rondella | washer | | | |

From the library of: Diamond Needle Corp



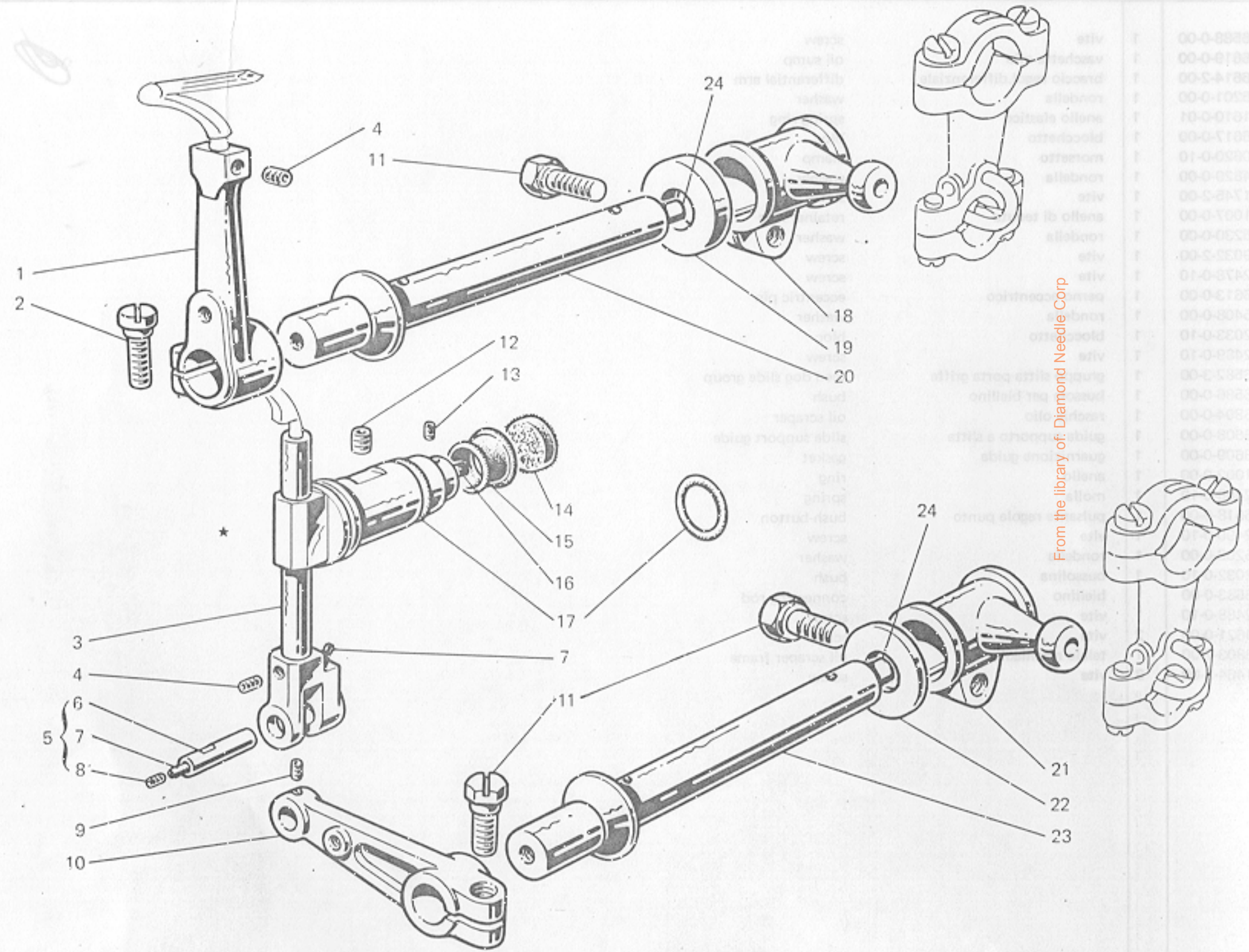
From the library of: Diamond Needle Corp

| Fig. N. Abb. N. | Part. N. Bestell N. Piece N. Pieza N. | Qt. Anzini | DESCRIZIONE | DESCRIPTION | BENENNUNG | DESCRIPTION | DESCRIPCION |
|-----------------|---------------------------------------|------------|-----------------------------|----------------------|-----------|-------------|-------------|
| 48 | 206588-0-00 | 1 | vite | screw | | | |
| 49 | 206619-0-00 | 1 | vaschetta olio | oil sump | | | |
| 50 | 206614-2-00 | 1 | braccio regol.differenziale | differential arm | | | |
| 51 | 705201-0-00 | 1 | rondella | washer | | | |
| 52 | 201610-0-01 | 1 | anello elastico | spring ring | | | |
| 53 | 206617-0-00 | 1 | blocchetto | bloc | | | |
| 54 | 100620-0-10 | 1 | morsetto | clamp | | | |
| 55 | 704829-0-00 | 1 | rondella | washer | | | |
| 56 | 741745-2-00 | 1 | vite | screw | | | |
| 57 | 701007-0-00 | 1 | anello di tenuta | retainer ring | | | |
| 58 | 705230-0-00 | 1 | rondella | washer | | | |
| 59 | 729032-2-00 | 1 | vite | screw | | | |
| 60 | 202478-0-10 | 1 | vite | screw | | | |
| 61 | 206613-0-00 | 1 | perno eccentrico | eccentric pin | | | |
| 62 | 705403-0-00 | 1 | rondella | washer | | | |
| 63 | 202033-0-10 | 1 | blocchetto | bloc | | | |
| 64 | 202489-0-10 | 1 | vite | screw | | | |
| 65 | 206582-3-00 | 1 | gruppo slitta porta griffe | feed dog slide group | | | |
| 66 | 206586-0-00 | 1 | bussola per biellino | bush | | | |
| 67 | 206804-0-00 | 1 | raschia olio | oil scraper | | | |
| 68 | 206603-0-00 | 1 | guida supporto a slitta | slide support guide | | | |
| 69 | 206609-0-00 | 1 | guarnizione guida | gasket | | | |
| 70 | 701002-0-00 | 1 | anello | ring | | | |
| 71 | 202408-0-10 | 1 | molla | spring | | | |
| 72 | 206618-0-00 | 1 | pulsante regola punto | bush-button | | | |
| 73 | 202490-0-10 | 1 | vite | screw | | | |
| 74 | 705208-0-00 | 1 | rondella | washer | | | |
| 75 | 202032-0-10 | 1 | bussolina | bush | | | |
| 76 | 206563-0-00 | 1 | biellino | connecting-rod | | | |
| 77 | 202488-0-10 | 1 | vite | screw | | | |
| 78 | 744621-0-00 | 2 | vite | screw | | | |
| 79 | 206803-2-00 | 1 | telaio raschiaolio | oil scraper frame | | | |
| 80 | 721464-2-00 | 3 | vite | screw | | | |

From the library of: Diamond Needle Corp

25-

DESCRIPTION DESCRIPTION BEBENNUNG DESCRIPTION DESCRIZIONE



From the library of: Diamond Needle Corp

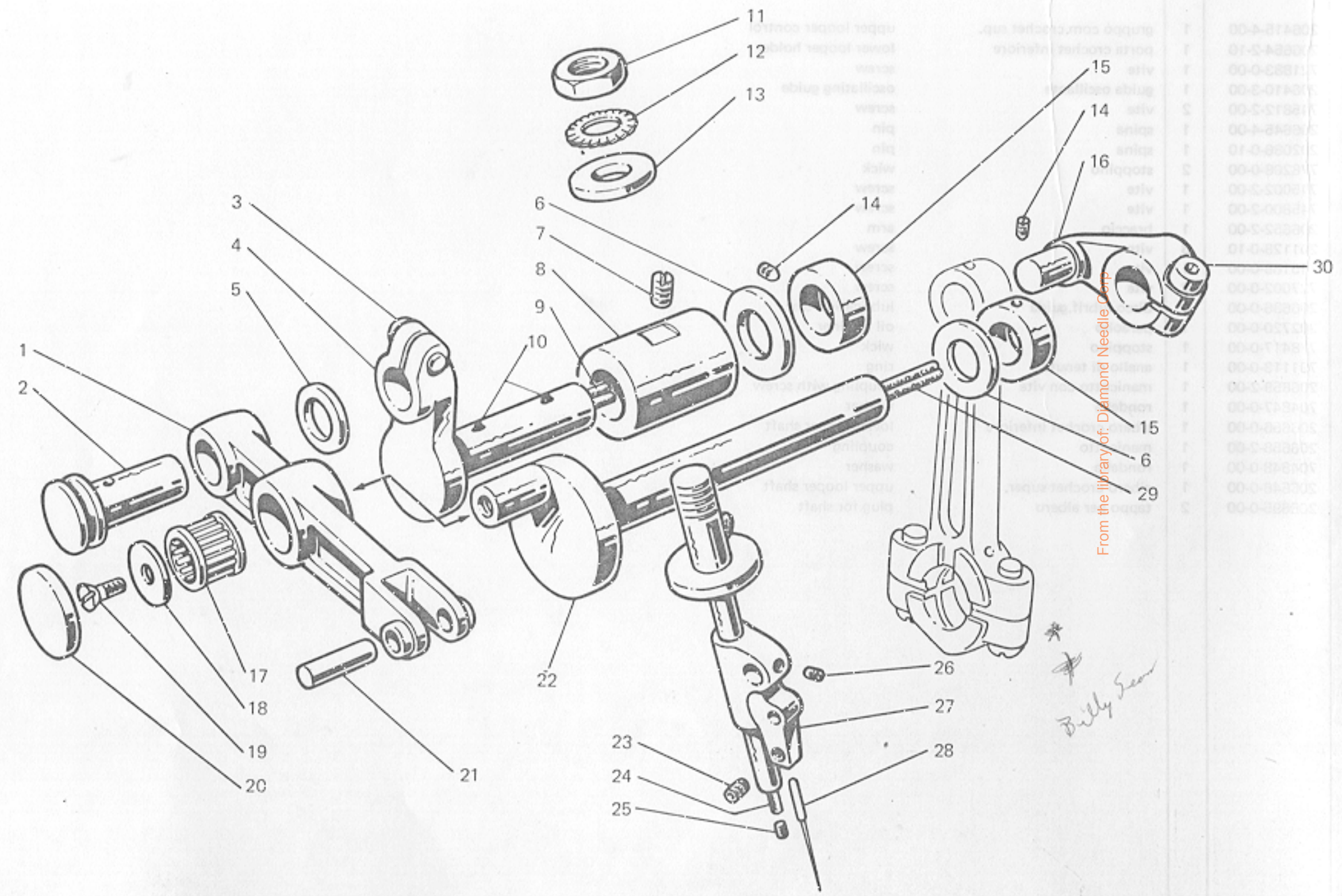
| Fig. N. App. N. | Part. N. Borell. N. Piece N. Part. N. | QTY. | DESCRIZIONE | DESCRIPTION | BEBENNUNG | DESCRIPTION | DESCRIZIONE |
|--------------------|--|------|-----------------|------------------|-----------|-------------|-------------|
| 43 | 20888-0-00 | 1 | vite | screw | | | |
| 43 | 20819-0-00 | 1 | vecchio | old end | | | |
| 50 | 20814-2-00 | 1 | braccio | differential arm | | | |
| 51 | 20850-0-00 | 1 | rondezza | washer | | | |
| 52 | 201610-0-01 | 1 | anello elastico | elastic ring | | | |
| 53 | 208817-0-00 | 1 | piacchetta | bracket | | | |
| 54 | 100820-0-10 | 1 | rotore | rotor | | | |
| 55 | 20823-0-00 | 1 | rondezza | washer | | | |
| 56 | 21748-0-00 | 1 | vite | screw | | | |
| 57 | 20107-0-00 | 1 | anello di | ring of | | | |
| 58 | 208230-0-00 | 1 | rondezza | washer | | | |
| 58 | 228023-2-00 | 1 | vite | screw | | | |
| 59 | 202478-0-10 | 1 | vite | screw | | | |
| 61 | 208813-0-00 | 1 | braccio | differential arm | | | |
| 62 | 208408-0-00 | 1 | rondezza | washer | | | |
| 63 | 202032-0-10 | 1 | piacchetta | bracket | | | |
| 64 | 202489-0-10 | 1 | vite | screw | | | |
| 65 | 208823-0-00 | 1 | guaina | cover | | | |
| 65 | 208823-0-00 | 1 | braccio | differential arm | | | |
| 67 | 208804-0-00 | 1 | vecchio | old | | | |
| 68 | 208808-0-00 | 1 | guida | guide | | | |
| 68 | 208808-0-00 | 1 | guida | guide | | | |
| 70 | 201610-00 | 1 | anello | ring | | | |
| 71 | 201610-00 | 1 | anello | ring | | | |
| 72 | 20814-2-00 | 1 | braccio | differential arm | | | |
| 73 | 20814-2-00 | 1 | braccio | differential arm | | | |
| 74 | 20814-2-00 | 1 | braccio | differential arm | | | |
| 75 | 20814-2-00 | 1 | braccio | differential arm | | | |
| 76 | 20814-2-00 | 1 | braccio | differential arm | | | |
| 76 | 20814-2-00 | 1 | braccio | differential arm | | | |
| 77 | 20814-2-00 | 1 | braccio | differential arm | | | |
| 78 | 20814-2-00 | 1 | braccio | differential arm | | | |
| 78 | 20814-2-00 | 1 | braccio | differential arm | | | |
| 80 | 22180 | 1 | | | | | |

| Fig. N. Abb. N. | Part. N. Bestell N. Pieze N. | Qt. Anzahl | DESCRIZIONE | DESCRIPTION | BENENNUNG | DESCRIPTION | DESCRIPCION |
|--------------------|------------------------------------|---------------|--------------------------|----------------------|-----------|-------------|-------------|
| ★ | 206415-4-00 | 1 | gruppo com.crochet sup. | upper looper control | | | |
| 1 | 206654-2-10 | 1 | porta crochet inferiore | lower looper holder | | | |
| 2 | 721883-0-00 | 1 | vite | screw | | | |
| 3 | 206410-3-00 | 1 | guida oscillante | oscillating guide | | | |
| 4 | 745812-2-00 | 2 | vite | screw | | | |
| 5 | 206645-4-00 | 1 | spina | pin | | | |
| 6 | 202086-0-10 | 1 | spina | pin | | | |
| 7 | 778208-0-00 | 2 | stoppino | wick | | | |
| 8 | 745002-2-00 | 1 | vite | screw | | | |
| 9 | 745890-2-00 | 1 | vite | screw | | | |
| 10 | 206652-2-00 | 1 | braccio | arm | | | |
| 11 | 201128-0-10 | 3 | vite | screw | | | |
| 12 | 745168-0-00 | 1 | vite | screw | | | |
| 13 | 727002-0-00 | 2 | vite | screw | | | |
| 14 | 206686-0-00 | 1 | disco lubrif.guida | lubrication disc | | | |
| 15 | 202720-0-00 | 1 | paraolio | oil retainer | | | |
| 16 | 778417-0-00 | 1 | stoppino | wick | | | |
| 17 | 701113-0-00 | 1 | anello di tenuta | ring | | | |
| 18 | 206659-2-00 | 1 | manicotto con vite | coupling with screw | | | |
| 19 | 704847-0-00 | 1 | rondella | washer | | | |
| 20 | 206656-0-00 | 1 | albero crochet inferiore | lower looper shaft | | | |
| 21 | 206658-2-00 | 1 | manicotto | coupling | | | |
| 22 | 704848-0-00 | 1 | rondella | washer | | | |
| 23 | 206646-0-00 | 1 | albero crochet super. | upper looper shaft | | | |
| 24 | 206695-0-00 | 2 | tappo per albero | plug for shaft | | | |

From the library of: Diamond Needle Corp

Rimoldi

TAV. 8

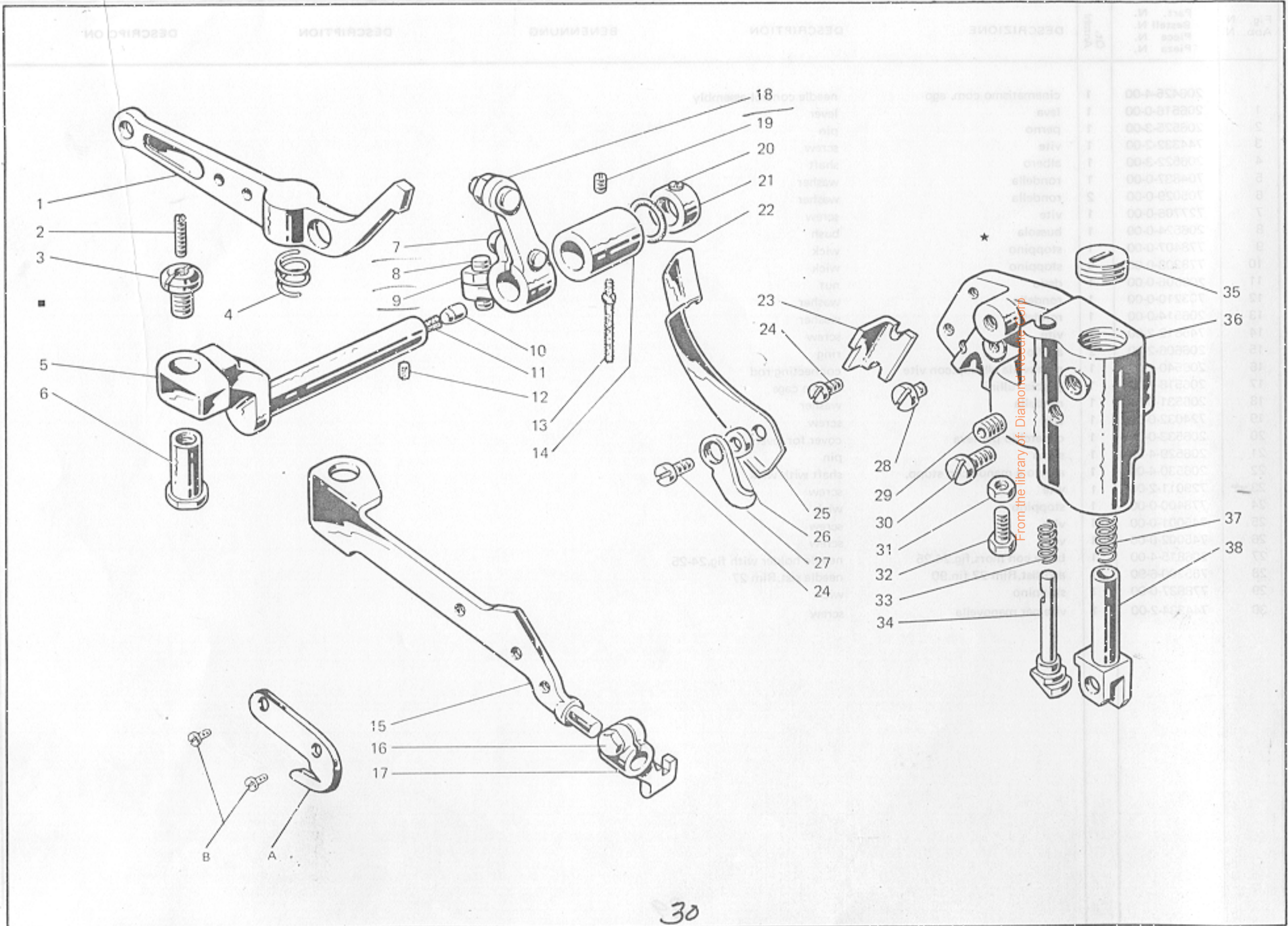


From the library of: Diamond Needle Corp

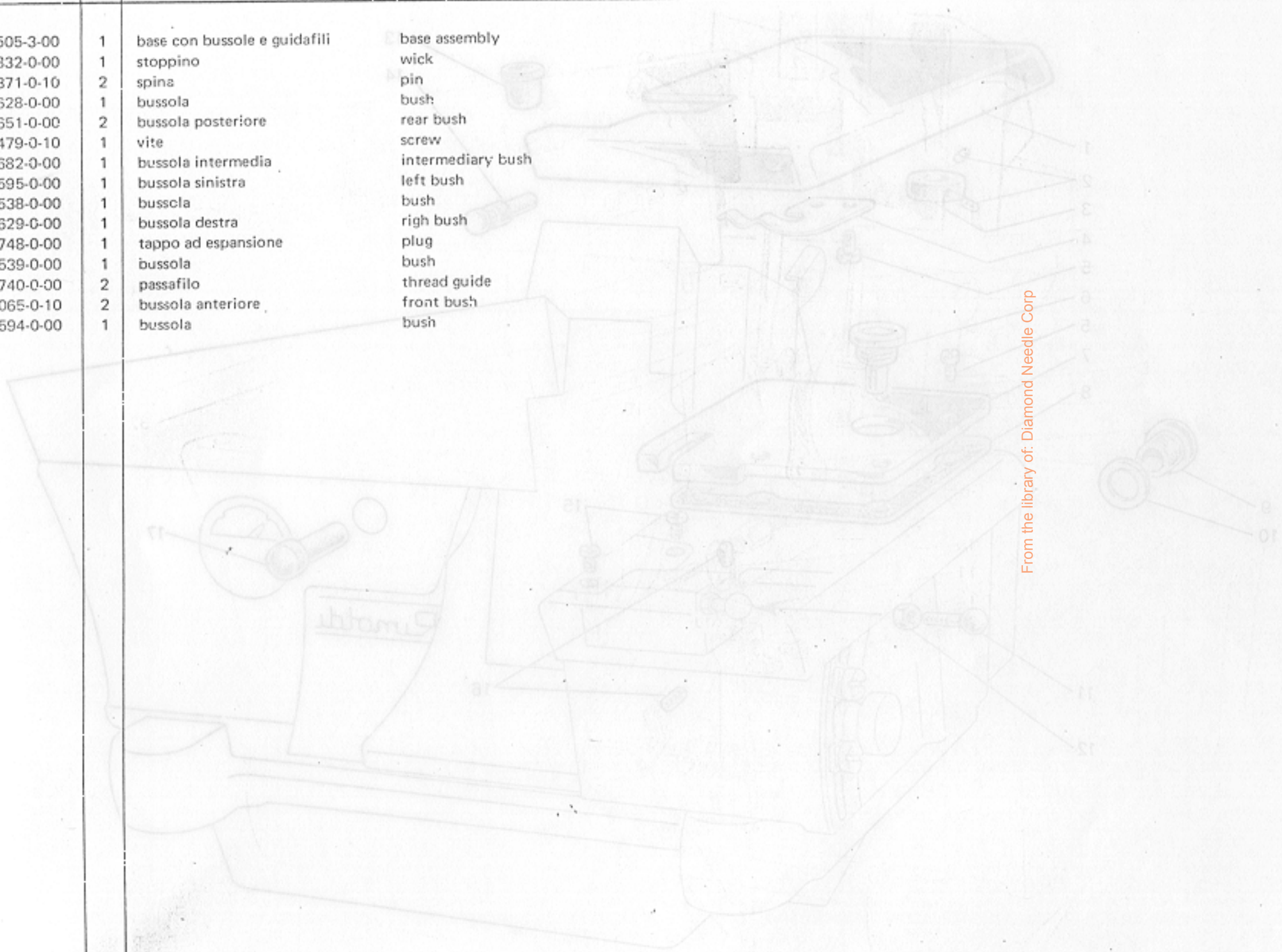
*
*
Billy Seam

| Fig. N. Abb. N. | Part. N. Bestell N. Pieze N. Pieza N. | Gt. Anzahl | DESCRIZIONE | DESCRIPTION | BENENNUNG | DESCRIPTION | DESCRIPCION |
|--------------------|--|---------------|----------------------------|------------------------------|-----------|-------------|-------------|
| | 206425-4-00 | 1 | cinematismo com. ago | needle control assembly | | | |
| 1 | 206516-0-00 | 1 | leva | lever | | | |
| 2 | 206525-3-00 | 1 | perno | pin | | | |
| 3 | 744332-2-00 | 1 | vite | screw | | | |
| 4 | 206522-3-00 | 1 | albero | shaft | | | |
| 5 | 704837-0-00 | 1 | rondella | washer | | | |
| 6 | 705029-0-00 | 2 | rondella | washer | | | |
| 7 | 727706-0-00 | 1 | vite | screw | | | |
| 8 | 206524-0-00 | 1 | bussola | bush | | | |
| 9 | 778407-0-00 | 1 | stoppino | wick | | | |
| 10 | 778203-0-00 | 4 | stoppino | wick | | | |
| 11 | 206506-0-00 | 1 | dado | nut | | | |
| 12 | 703210-0-00 | 1 | rondella | washer | | | |
| 13 | 206514-0-00 | 1 | rondella | washer | | | |
| 14 | 745812-2-00 | 2 | vite | screw | | | |
| 15 | 206606-2-00 | 2 | anello | ring | | | |
| 16 | 206540-2-00 | 1 | manovella alb.sup.con vite | connecting rod | | | |
| 17 | 206518-0-00 | 1 | gabbia rullini | needle cage | | | |
| 18 | 206531-0-00 | 1 | rondella | washer | | | |
| 19 | 724032-0-00 | 1 | vite | screw | | | |
| 20 | 206533-0-00 | 1 | coperchio per leva | cover for lever | | | |
| 21 | 206529-4-00 | 1 | spina | pin | | | |
| 22 | 206530-4-00 | 1 | albero a manov.con stopp. | shaft with wick | | | |
| 23 | 729011-2-00 | 1 | vite | screw | | | |
| 24 | 778400-0-00 | 1 | stoppino | wick | | | |
| 25 | 745001-0-00 | 1 | vite | screw | | | |
| 26 | 745002-0-00 | 1 | vite | screw | | | |
| 27 | 206815-4-00 | 1 | barra con mors.fig.24-25 | needle holder with fig.24-25 | | | |
| 28 | 765200-6-90 | 1 | ago sist.Rim 27 fin.90 | needle sist.Rim 27 | | | |
| 29 | 778837-0-00 | 1 | stoppino | wick | | | |
| 30 | 744334-2-00 | 1 | vite per manovella | screw | | | |

From the library of: Diamond Needle Corp



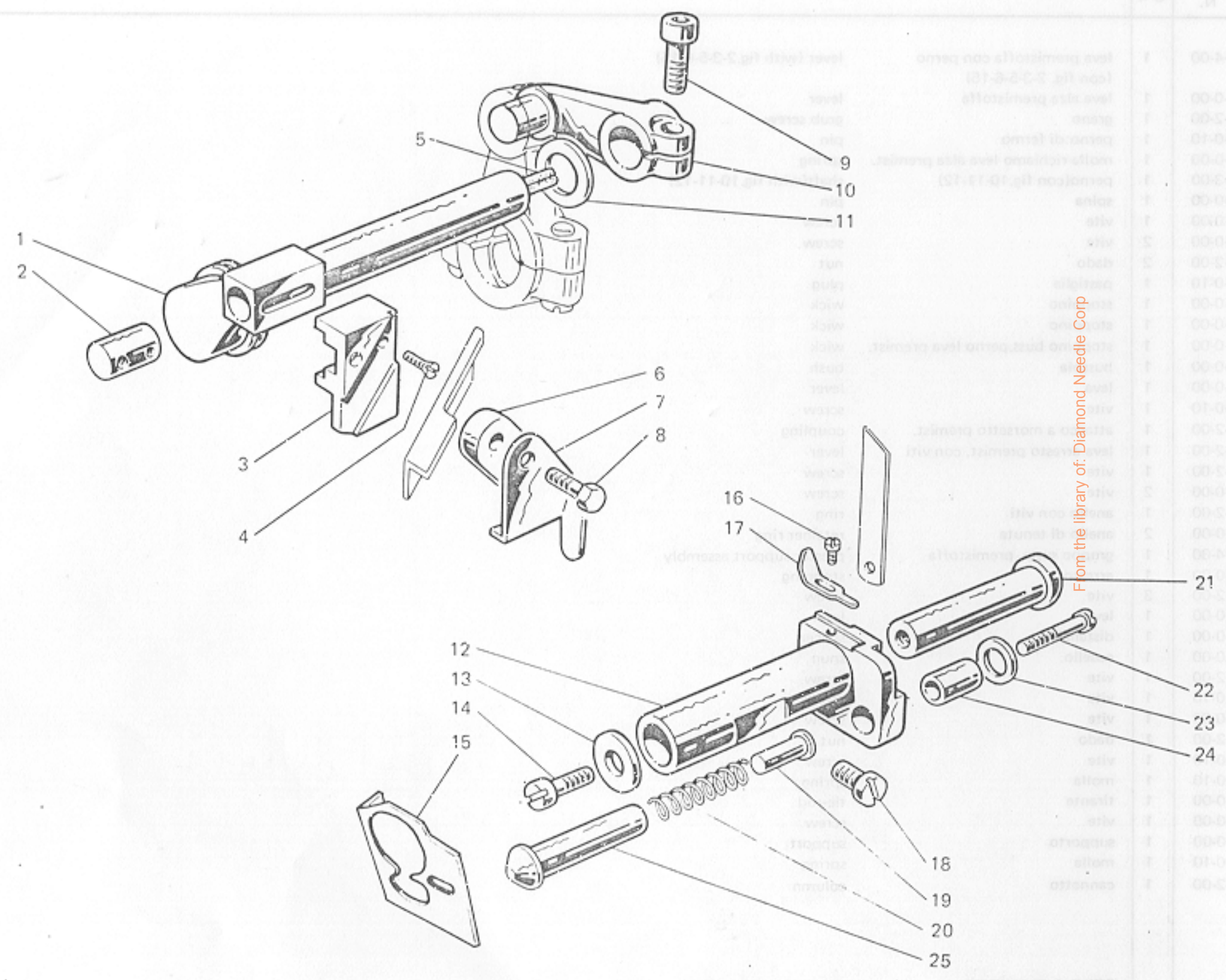
| Fig. N. Abb. N. | Part. N. Bestell N. Piece N. Pieza N. | Qt. Anzahl | DESCRIZIONE | DESCRIPTION | BENENNUNG | DESCRIPTION | DESCRIPCION |
|--------------------|--|---------------|------------------------------|-------------------|-----------|-------------|-------------|
| ★ | 206505-3-00 | 1 | base con bussole e guidafili | base assembly | | | |
| 1 | 778832-0-00 | 1 | stoppino | wick | | | |
| 2 | 202371-0-10 | 2 | spina | pin | | | |
| 3 | 206628-0-00 | 1 | bussola | bush | | | |
| 4 | 206651-0-00 | 2 | bussola posteriore | rear bush | | | |
| 5 | 202479-0-10 | 1 | vite | screw | | | |
| 6 | 206682-0-00 | 1 | bussola intermedia | intermediary bush | | | |
| 7 | 206595-0-00 | 1 | bussola sinistra | left bush | | | |
| 8 | 206538-0-00 | 1 | bussola | bush | | | |
| 9 | 206629-0-00 | 1 | bussola destra | right bush | | | |
| 10 | 206748-0-00 | 1 | tappo ad espansione | plug | | | |
| 11 | 206539-0-00 | 1 | bussola | bush | | | |
| 12 | 206740-0-00 | 2 | passafilo | thread guide | | | |
| 13 | 202065-0-10 | 2 | bussola anteriore | front bush | | | |
| 14 | 206594-0-00 | 1 | bussola | bush | | | |



From the library of: Diamond Needle Corp

| Fig. N. Abb. N. | Part. N. Bestell N. Pieze N. | Qt. Anzahl | DESCRIZIONE | DESCRIPTION | BENENNUNG | DESCRIPTION | DESCRIPCION |
|--------------------|------------------------------------|---------------|---|--|-----------|-------------|-------------|
| ■ | 206638-4-00 | 1 | leva premistoffa con perno (con fig. 2-3-5-6-15) | lever (with fig.2-3-5-6-15) | | | |
| 1 | 206630-0-00 | 1 | leva alza premistoffa | lever | | | |
| 2 | 729051-2-00 | 1 | grano | grub screw | | | |
| 3 | 205529-0-10 | 1 | perno di fermo | pin | | | |
| 4 | 206621-0-00 | 1 | molla richiamo leva alza premist. | spring | | | |
| 5 | 206626-3-00 | 1 | perno(con fig.10-11-12) | shaft(with fig.10-11-12) | | | |
| 6 | 206622-0-00 | 1 | spina | pin | | | |
| 7 | 741963-0-00 | 1 | vite | screw | | | |
| 8 | 727096-0-00 | 2 | vite | screw | | | |
| 9 | 746020-2-00 | 2 | dado | nut | | | |
| 10 | 301586-0-10 | 1 | pastiglia | plug | | | |
| 11 | 788520-0-00 | 1 | stoppino | wick | | | |
| 12 | 778203-0-00 | 1 | stoppino | wick | | | |
| 13 | 206620-0-00 | 1 | stoppino buss.perno leva premist. | wick | | | |
| 14 | 206629-0-00 | 1 | bussola | bush | | | |
| 15 | 206625-0-00 | 1 | leva | lever | | | |
| 16 | 204947-0-10 | 1 | vite | screw | | | |
| 17 | 206624-2-00 | 1 | attacco a morsetto premist. | coupling | | | |
| 18 | 206623-2-00 | 1 | leva arresto premist. con viti | lever | | | |
| 19 | 745812-2-00 | 1 | vite | screw | | | |
| 20 | 745114-0-00 | 2 | vite | screw | | | |
| 21 | 206644-2-00 | 1 | anello con viti | ring | | | |
| 22 | 701006-0-00 | 2 | anello di tenuta | retainer ring | | | |
| ★ | 206446-4-00 | 1 | gruppo supp. premistoffa | presser support assembly | | | |
| 23 | 206639-0-00 | 1 | arresto | stopping | | | |
| 24 | 721464-2-00 | 3 | vite | screw | | | |
| 25 | 206636-0-00 | 1 | leva | lever | | | |
| 26 | 206637-0-00 | 1 | distanziale | spacer | | | |
| 27 | 206635-0-00 | 1 | nasello | snug | | | |
| 28 | 721494-2-00 | 1 | vite | screw | | | |
| 29 | 202391-0-10 | 1 | vite | screw | | | |
| 30 | 206642-0-00 | 1 | vite | screw | | | |
| 31 | 746007-2-00 | 1 | dado | nut | | | |
| 32 | 202214-0-10 | 1 | vite | screw | | | |
| 33 | 202110-0-10 | 1 | molla | spring | | | |
| 34 | 206634-0-00 | 1 | tirante | tie-rod | | | |
| 35 | 206633-0-00 | 1 | vite | screw | | | |
| 36 | 206640-0-00 | 1 | supporto | support | | | |
| 37 | 203142-0-10 | 1 | molla | spring | | | |
| 38 | 206632-2-00 | 1 | cannotto | column | | | |
| A | 202194-0-10 | 1 | SOLO A RICHIESTA piastrina taglia catenella | ONLY ON REQUEST chain cutting shaft | | | |
| B | 741133-0-00 | 2 | vite | screw | | | |

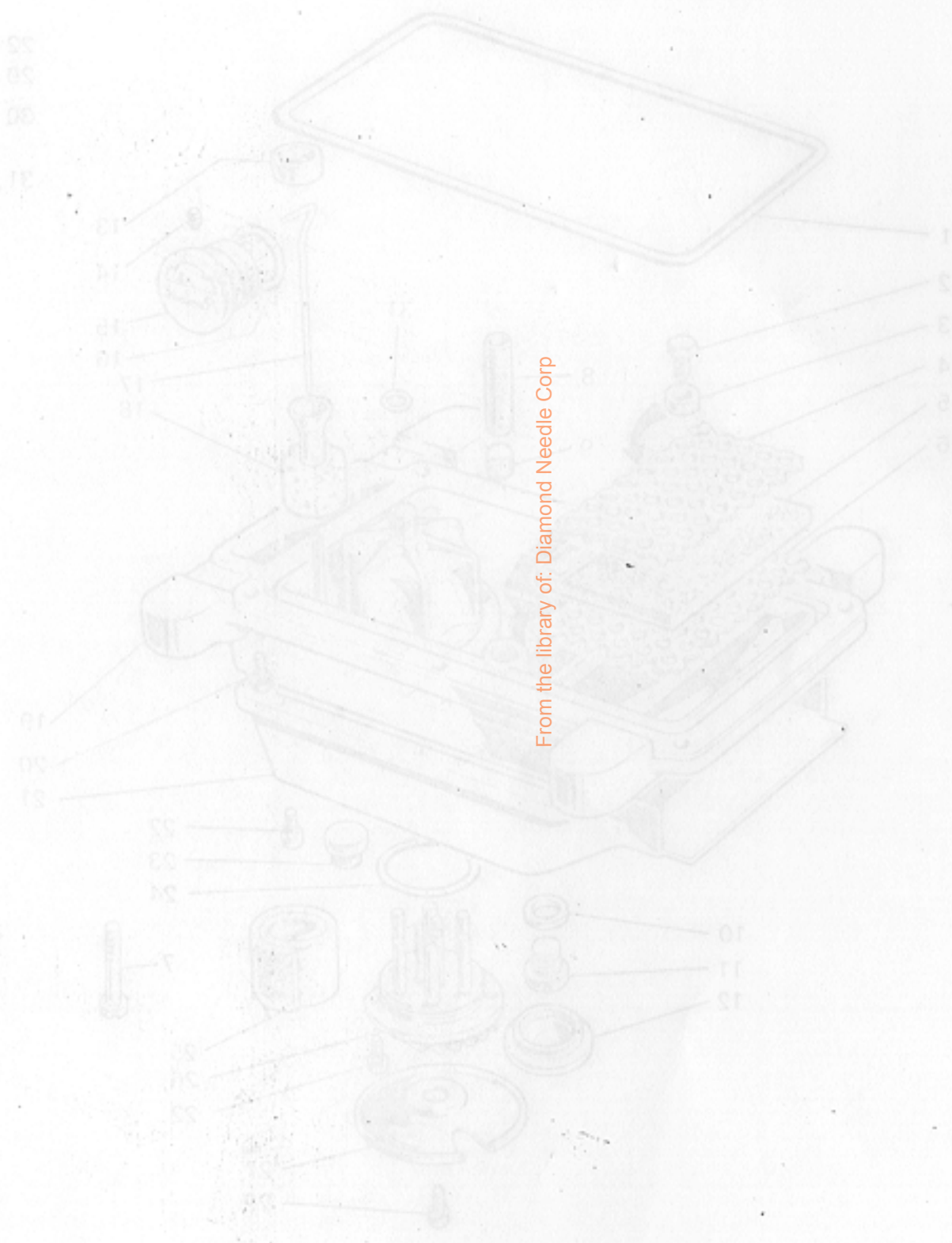
From the library of: Diamond Needle Corp



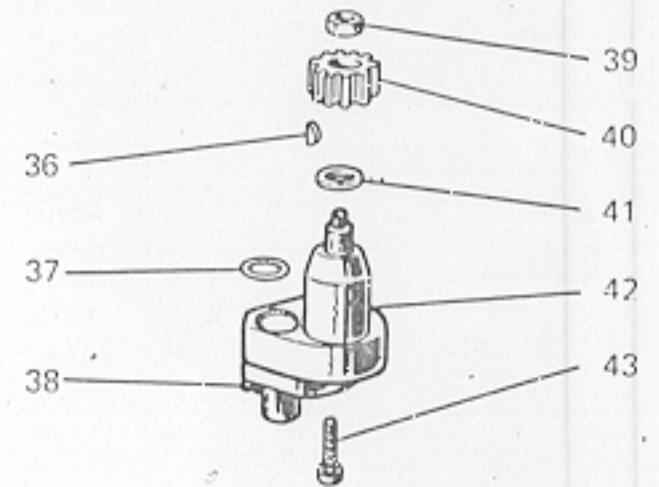
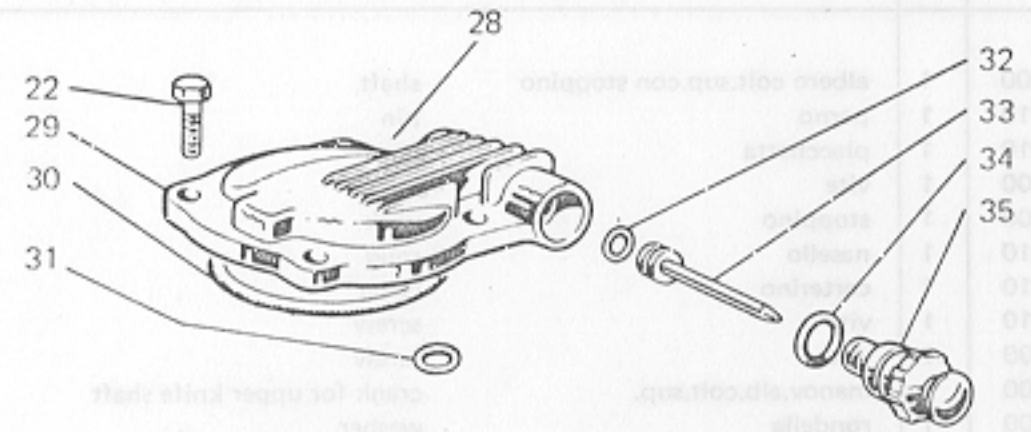
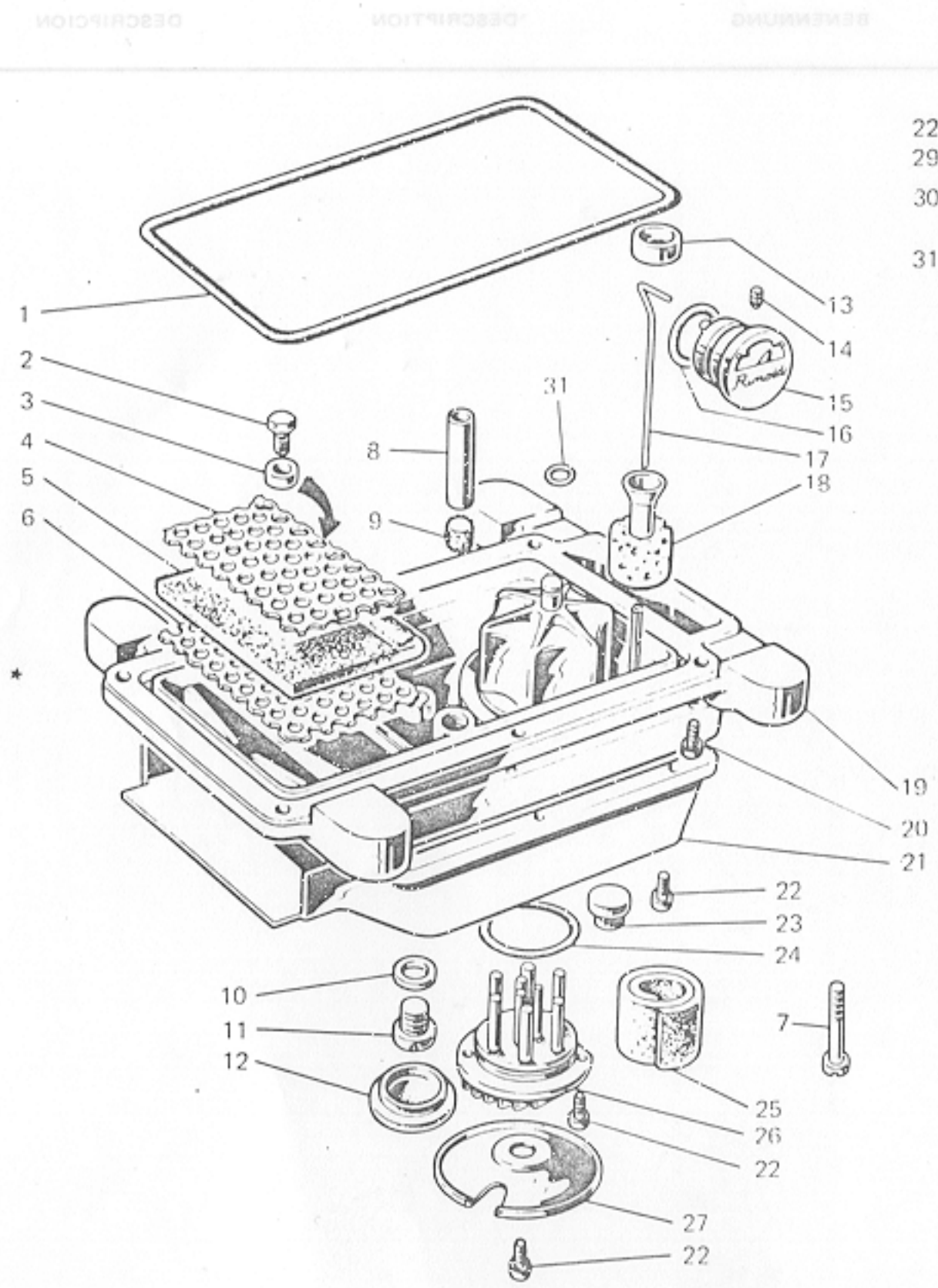
From the library of: Diamond Needle Corp

| DESCRIZIONE | DESCRIPTION | BENENNUNG | DESCRIPTION | DESCRIZIONE | Q.TA | Part. N. Part. N. Part. N. Part. N. | Part. N. |
|-------------|-------------|-----------|-------------|-------------|------|--|----------|
|-------------|-------------|-----------|-------------|-------------|------|--|----------|

| Fig. N. Abb. N. | Part. N. Bestell N. Piece N. Pieza N. | Qt. Anzahl | DESCRIZIONE | DESCRIPTION | BENENNUNG | DESCRIPTION | DESCRIPCION |
|--------------------|--|---------------|------------------------------|-----------------------------|-----------|-------------|-------------|
| 1 | 206572-4-00 | 1 | albero colt.sup.con stoppino | shaft | | | |
| 2 | 202130-0-10 | 1 | perno | pin | | | |
| 3 | 202127-0-10 | 1 | placchetta | plate | | | |
| 4 | 744533-0-00 | 1 | vite | screw | | | |
| 5 | 778832-0-00 | 1 | stoppino | wick | | | |
| 6 | 202131-0-10 | 1 | nasello | snug | | | |
| 7 | 200653-0-10 | 1 | carterino | cover | | | |
| 8 | 202496-0-10 | 1 | vite | screw | | | |
| 9 | 744334-2-00 | 1 | vite | screw | | | |
| 10 | 206574-2-00 | 1 | manov.slb.colt.sup. | crank for upper knife shaft | | | |
| 11 | 705029-0-00 | 1 | rondella | washer | | | |
| 12 | 202132-0-10 | 1 | porta colt.infer. | lower knife holding | | | |
| 13 | 704409-0-00 | 1 | rondella | washer | | | |
| 14 | 742457-2-00 | 1 | vite | screw | | | |
| 15 | 203774-0-10 | 1 | piastra ferma salva ago | plate | | | |
| 16 | 741445-0-00 | 1 | vite | screw | | | |
| 17 | 203775-0-10 | 1 | squadretta | bracket | | | |
| 18 | 727758-0-00 | 1 | vite | screw | | | |
| 19 | 206758-0-10 | 1 | puntalino | pin | | | |
| 20 | 202128-0-10 | 1 | molla | spring | | | |
| 21 | 202134-0-11 | 1 | perno | pin | | | |
| 22 | 722471-2-00 | 1 | vite | screw | | | |
| 23 | 704802-0-00 | 1 | rondella | washer | | | |
| 24 | 202129-0-10 | 1 | bussola | bush | | | |
| 25 | 206757-0-00 | 1 | bussola | bush | | | |



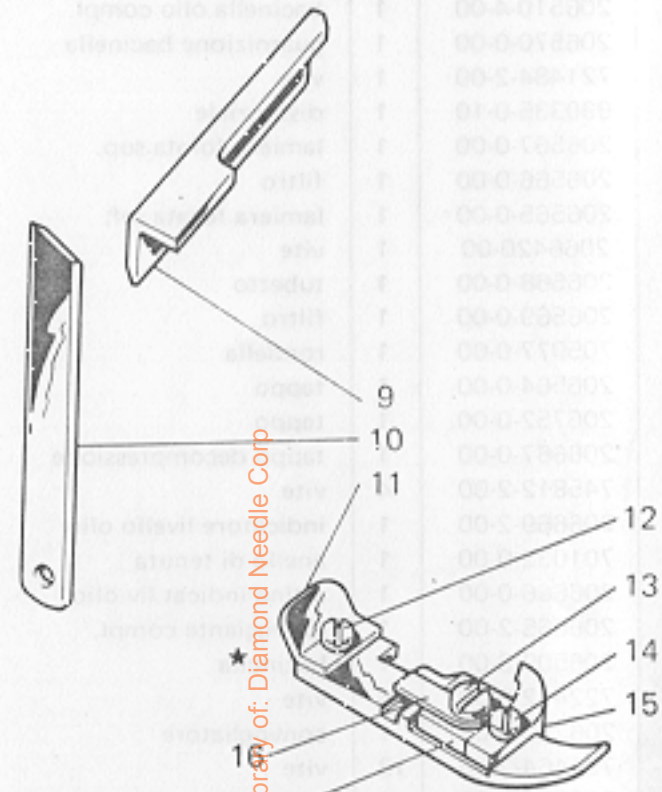
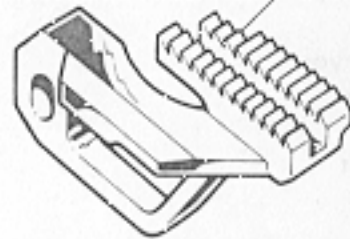
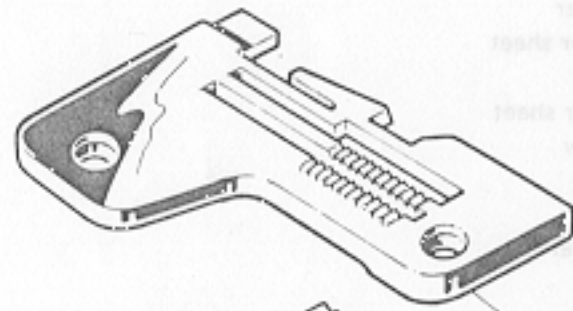
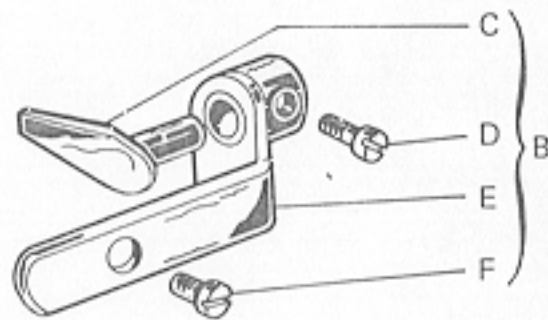
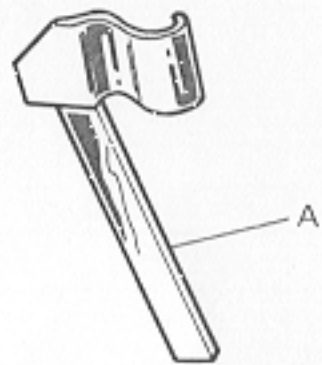
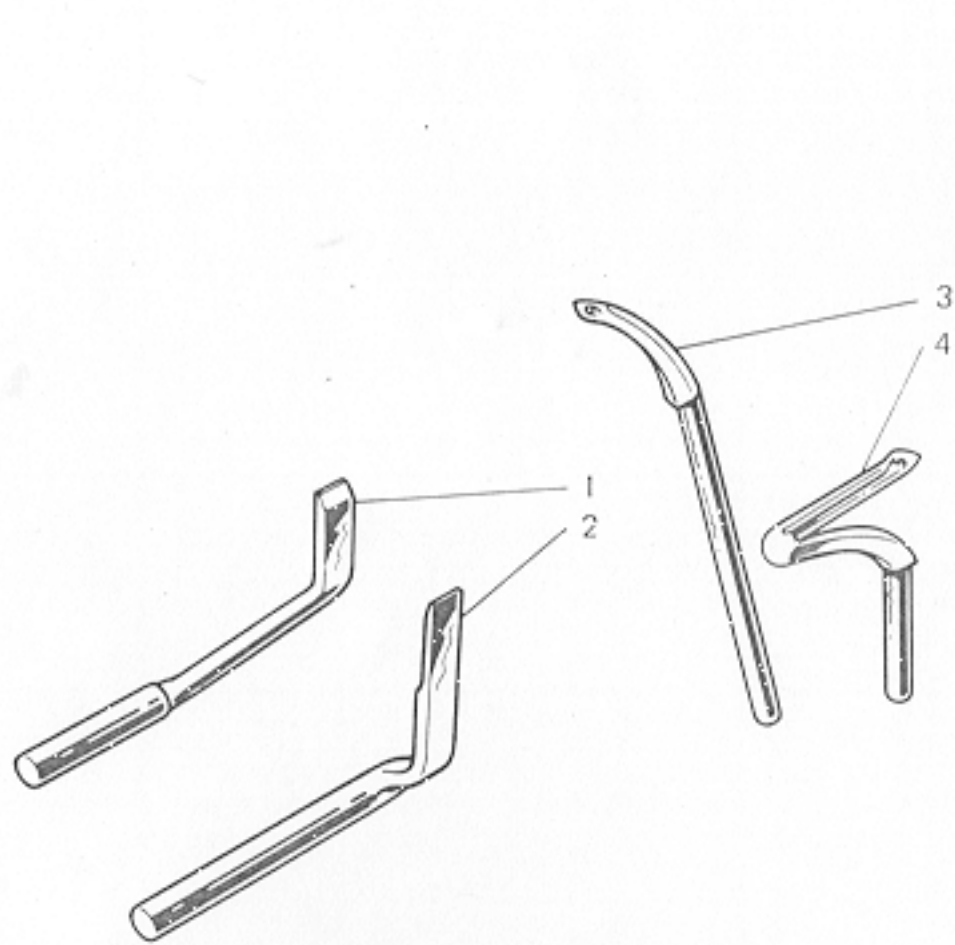
From the library of: Diamond Needle Corp



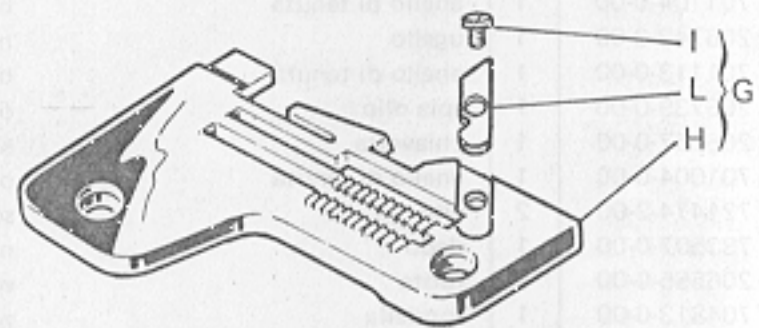
From the library of: Diamond Needle Corp

| Fig. N. Abb. N. | Part. N. Bestell N. Pieza N. | Qt. Anzahl | DESCRIZIONE | DESCRIPTION | BENENNUNG | DESCRIPTION | DESCRIPCION |
|--------------------|------------------------------------|---------------|------------------------------|-----------------------|-----------|-------------|-------------|
| ★ | 206510-4-00 | 1 | bacinella olio compl. | oil sump assembly | | | |
| 1 | 206570-0-00 | 1 | guarnizione bacinella | gasket | | | |
| 2 | 721484-2-00 | 1 | vite | screw | | | |
| 3 | 990335-0-10 | 1 | distanziale | spacer | | | |
| 4 | 206567-0-00 | 1 | lamiera forata sup. | upper sheet | | | |
| 5 | 206566-0-00 | 1 | filtro | filter | | | |
| 6 | 206565-0-00 | 1 | lamiera forata inf. | lower sheet | | | |
| 7 | 2066420-00 | 1 | vite | screw | | | |
| 8 | 206568-0-00 | 1 | tubetto | tube | | | |
| 9 | 206569-0-00 | 1 | filtro | filter | | | |
| 10 | 705577-0-00 | 1 | rondella | washer | | | |
| 11 | 206564-0-00 | 1 | tappo | plug | | | |
| 12 | 206752-0-00 | 1 | tappo | plug | | | |
| 13 | 206667-0-00 | 1 | tappo decompressione | plug | | | |
| 14 | 745812-2-00 | 4 | vite | screw | | | |
| 15 | 206669-2-00 | 1 | indicatore livello olio | oil level gauge | | | |
| 16 | 701032-0-00 | 1 | anello di tenuta | oil ring | | | |
| 17 | 206666-0-00 | 1 | astina indicat.liv.olio | stick | | | |
| 18 | 206665-2-00 | 1 | galleggiante compl. | float | | | |
| 19 | 206509-3-00 | 1 | bacinella | oil sump | | | |
| 20 | 722442-2-00 | 6 | vite | screw | | | |
| 21 | 206750-0-00 | 1 | convogliatore | conveyor | | | |
| 22 | 721464-2-00 | 13 | vite | screw | | | |
| 23 | 206751-0-00 | 4 | tampone | pad | | | |
| 24 | 701050-0-00 | 1 | guarnizione | gasket | | | |
| 25 | 206559-0-00 | 1 | filtro | filter | | | |
| 26 | 206550-0-00 | 1 | coperchio | cover | | | |
| 27 | 206753-0-00 | 1 | coperchio | cover | | | |
| 28 | 206742-4-00 | 1 | coperchio distribuzione olio | oil distributor cover | | | |
| 29 | 206736-2-00 | 1 | coperchio | cover | | | |
| 30 | 701151-0-00 | 1 | anello di tenuta | oil ring | | | |
| 31 | 701005-0-00 | 2 | anello di tenuta | oil ring | | | |
| 32 | 701104-0-00 | 1 | anello di tenuta | oil ring | | | |
| 33 | 206743-3-00 | 1 | ugello | nozzle | | | |
| 34 | 701113-0-00 | 1 | anello di tenuta | oil ring | | | |
| 35 | 206739-0-00 | 1 | spia olio | oil window | | | |
| 36 | 206557-0-00 | 1 | chiavetta | key | | | |
| 37 | 701004-0-00 | 1 | anello di tenuta | oil ring | | | |
| 38 | 721474-2-00 | 2 | vite | screw | | | |
| 39 | 733507-0-00 | 1 | dado | nut | | | |
| 40 | 206555-0-00 | 1 | ruota | wheel | | | |
| 41 | 704813-0-00 | 1 | rondella | washer | | | |
| 42 | 206550-4-00 | 1 | gruppo pompa olio | oil pump assembly | | | |
| 43 | 722481-2-00 | 2 | vite | screw | | | |

From the library of: Diamond Needle Corp

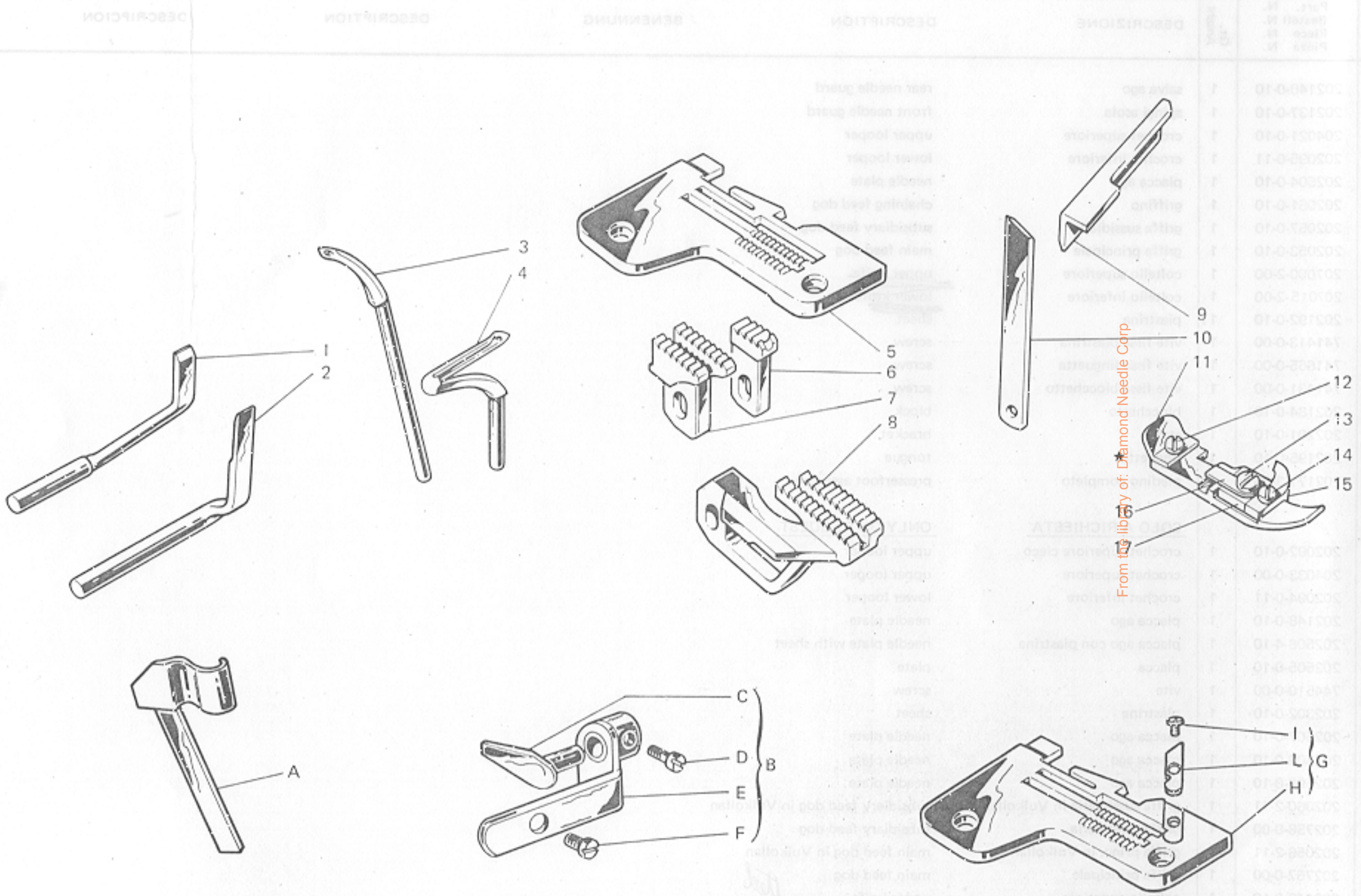


From the library of: Diamond Needle Corp



| Fig. N. Abb. N. | Part. N. Bestell N. Piece N. Pieza N. | Gt. Anzahl | DESCRIZIONE | DESCRIPTION | BENENNUNG | DESCRIPTION | DESCRIPCION |
|-----------------|---------------------------------------|------------|---------------------------------|----------------------------------|-----------|-------------|-------------|
| 1 | 202140-0-10 | 1 | salva ago | rear needle guard | | | |
| 2 | 202137-0-10 | 1 | spingi asola | front needle guard | | | |
| 3 | 204021-0-10 | 1 | crochet superiore | upper looper | | | |
| 4 | 202095-0-11 | 1 | crochet inferiore | lower looper | | | |
| 5 | 202504-0-10 | 1 | placca ago | needle plate | | | |
| 6 | 202061-0-10 | 1 | griffino | chaining feed dog | | | |
| 7 | 202057-0-10 | 1 | griffa sussidiaria | subsidiary feed dog | | | |
| 8 | 202053-0-10 | 1 | griffa principale | main feed dog | | | |
| 9 | 207000-2-00 | 1 | coltello superiore | upper knife | | | |
| 10 | 207015-2-00 | 1 | coltello inferiore | lower knife | | | |
| 11 | 202192-0-10 | 1 | piastrina | sheet | | | |
| 12 | 741413-0-00 | 1 | vite fissa piastrina | screw | | | |
| 13 | 741665-0-00 | 1 | vite fissa linguetta | screw | | | |
| 14 | 741431-0-00 | 1 | vite fissa blocchetto | screw | | | |
| 15 | 202184-0-10 | 1 | blocchetto | block | | | |
| 16 | 202201-0-10 | 1 | staffa | bracket | | | |
| 17 | 202195-0-10 | 1 | linguetta | tongue | | | |
| * | 202171-3-00 | 1 | pedino completo | presserfoot assembly | | | |
| | | | <u>SOLO A RICHIESTA</u> | <u>ONLY ON REQUEST</u> | | | |
| 3 | 202092-0-10 | 1 | crochet superiore cieco | upper looper | | | |
| | 204033-0-00 | 1 | crochet superiore | upper looper | | | |
| 4 | 202094-0-11 | 1 | crochet inferiore | lower looper | | | |
| 5 | 202148-0-10 | 1 | placca ago | needle plate | | | |
| G | 202506-4-10 | 1 | placca ago con piastrina | needle plate with sheet | | | |
| H | 202505-0-10 | 1 | placca | plate | | | |
| I | 744510-0-00 | 1 | vite | screw | | | |
| L | 202302-0-10 | 1 | piastrina | sheet | | | |
| | 202507-0-10 | 1 | placca ago | needle plate | | | |
| | 202508-0-10 | 1 | placca ago | needle plate | | | |
| | 202590-0-10 | 1 | placca ago | needle plate | | | |
| 7 | 202060-2-11 | 1 | griffa sussidiaria in Vulkollan | subsidiary feed dog in Vulkollan | | | |
| | 202758-0-00 | 1 | griffa sussidiaria | subsidiary feed dog | | | |
| 8 | 202056-2-11 | 1 | griffa princ. in Vulkollan | main feed dog in Vulkollan | | | |
| | 202757-0-00 | 1 | griffa principale | main feed dog | | | |
| 9 | 202142-0-10 | 1 | coltello superiore | upper knife | | | |
| | 202143-0-10 | 1 | coltello super.dentato | upper knife serrated | | | |
| | 207008-2-00 | 1 | coltello super. con placchetta | upper knife | | | |
| 10 | 202146-0-10 | 1 | coltello inferiore | lower knife | | | |

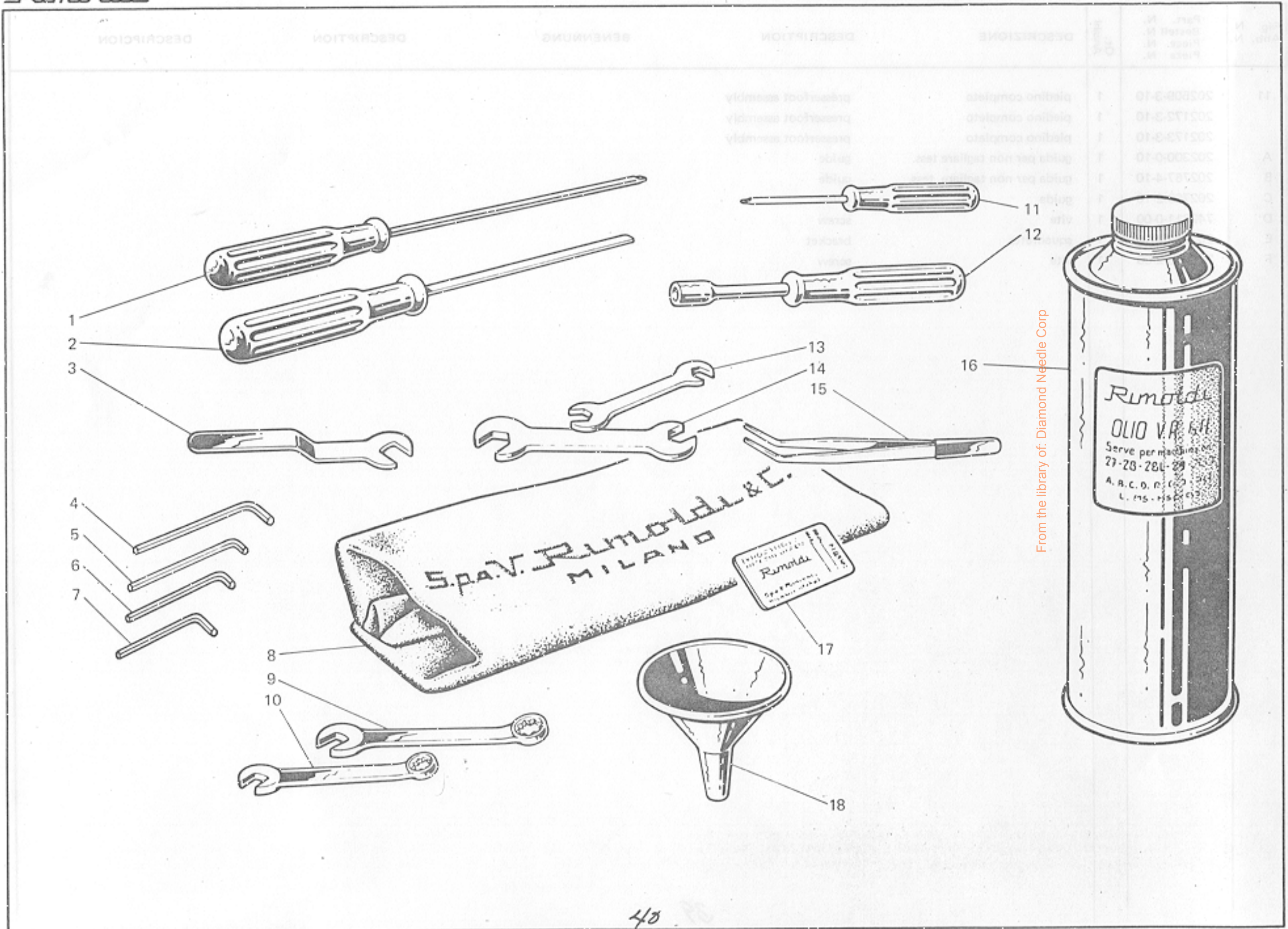
From the library of: Diamond Needle Corp



From the library of: Diamond Needle Corp

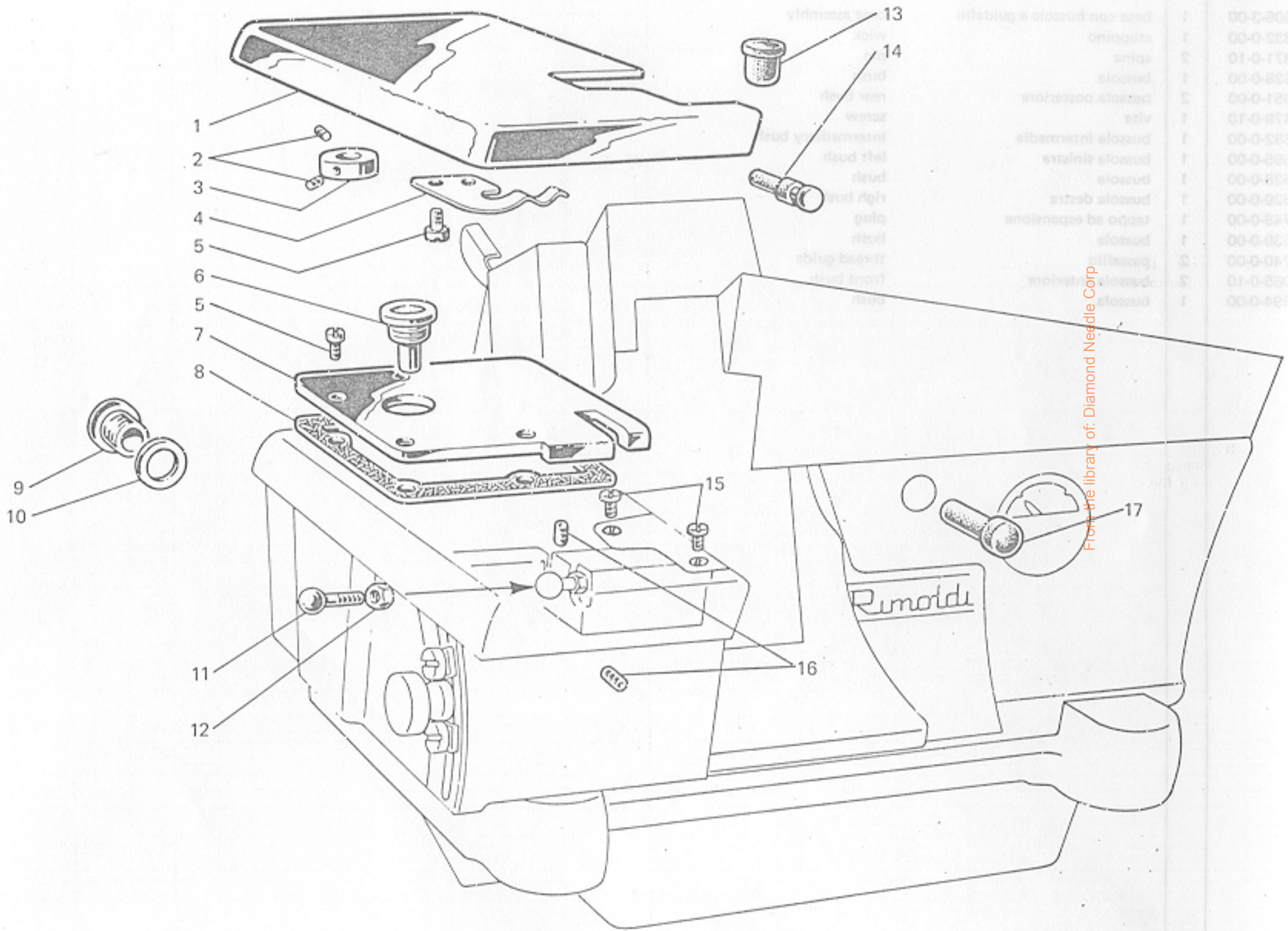
| Fig. N. Abb. N. | Part. N. Bestell N. Pieze N. Piaza N. | Qt. Anzahl | DESCRIZIONE | DESCRIPTION | BENENNUNG | DESCRIPTION | DESCRIPCION |
|--------------------|--|---------------|------------------------------|----------------------|-----------|-------------|-------------|
| 11 | 202509-3-10 | 1 | piecinc completo | presserfoot assembly | | | |
| | 202172-3-10 | 1 | piecino completo | presserfoot assembly | | | |
| | 202173-3-10 | 1 | piecino completo | presserfoot assembly | | | |
| A | 202300-0-10 | 1 | guida per non tagliare tess. | guide | | | |
| B | 202767-4-10 | 1 | guida per non tagliare tess. | guide | | | |
| C | 202769-2-10 | 1 | guida | guide | | | |
| D | 742811-0-00 | 1 | vite | screw | | | |
| E | 202772-2-10 | 1 | squadretta | bracket | | | |
| F | 721443-2-00 | 1 | vite | screw | | | |

From the library of: Diamond Needle Corp



From the library of: Diamond Needle Corp

| DESCRIPTION | DESCRIPTION | BENENNUNG | DESCRIPTION | DESCRIZIONE | Q. T. | Part. N. Bastell. N. Place N. Place N. | Fig. N. App. N. |
|-------------|-------------|-----------|-------------|-------------|-------|---|--------------------|
|-------------|-------------|-----------|-------------|-------------|-------|---|--------------------|



| | | | | | | | |
|----|---|------------|---|----|---|------------|----|
| 1 | 1 | 20852-0-00 | 1 | 1 | 1 | 20852-0-00 | 14 |
| 2 | 1 | 20853-0-00 | 1 | 1 | 1 | 20853-0-00 | 13 |
| 3 | 2 | 20851-0-10 | 2 | 3 | 2 | 20851-0-10 | 17 |
| 4 | 1 | 20852-0-00 | 1 | 3 | 1 | 20852-0-00 | 11 |
| 5 | 2 | 20851-0-00 | 2 | 4 | 1 | 20851-0-00 | 12 |
| 6 | 1 | 20852-0-10 | 1 | 5 | 1 | 20852-0-10 | 13 |
| 7 | 1 | 20853-0-00 | 1 | 6 | 1 | 20853-0-00 | 14 |
| 8 | 1 | 20852-0-00 | 1 | 7 | 1 | 20852-0-00 | 15 |
| 9 | 1 | 20852-0-00 | 1 | 8 | 1 | 20852-0-00 | 16 |
| 10 | 1 | 20852-0-00 | 1 | 9 | 1 | 20852-0-00 | 17 |
| 11 | 1 | 20852-0-00 | 1 | 10 | 1 | 20852-0-00 | 11 |
| 12 | 2 | 20852-0-00 | 2 | 11 | 1 | 20852-0-00 | 12 |
| 13 | 2 | 20852-0-10 | 2 | 12 | 1 | 20852-0-10 | 13 |
| 14 | 1 | 20852-0-00 | 1 | 13 | 1 | 20852-0-00 | 14 |

From the library of: Diamond Needle Corp

| Fig. N. | Part. N. | Qt. | DESCRIZIONE | DESCRIPTION | BENENNUNG | DESCRIPTION | DESCRIPCION |
|---------|----------------------------------|--------|----------------------------|---------------------|-----------|-------------|-------------|
| Abb. N. | Bestell N. / Piece N. / Pieza N. | Anzahl | | | | | |
| 1 | 990180-0-10 | 1 | cacciavite grande | screw driver | | | |
| 2 | 990181-0-10 | 1 | cacciavite medio | screw driver | | | |
| 3 | 990327-0-10 | 1 | chiave da 7 mm. | 7 mm key | | | |
| 4 | 990639-0-10 | 1 | chiave esag. da 3 mm. | ehexagonal key | | | |
| 5 | 990685-0-10 | 1 | chiave esag. da 2,5 mm. | ehexagonal key | | | |
| 6 | 990325-0-10 | 1 | chiave esagon. da 2 mm. | ehexagonal key | | | |
| 7 | 990474-0-10 | 1 | chiave esagon. da 1,5 mm. | ehexagonal key | | | |
| 8 | 990183-0-12 | 1 | cuffia protez. testa | machine cover | | | |
| 9 | 990622-0-10 | 1 | chiave poligonale da 9 mm. | 9 mm. key | | | |
| 10 | 990624-0-00 | 1 | chiave poligonale da 7 mm. | 7 mm. key | | | |
| 11 | 990182-0-10 | 1 | cacciavite piccolo | screw driver | | | |
| 12 | 990324-0-10 | 1 | chiave a tubo da 7 mm. | 7 mm. key | | | |
| 13 | 990585-0-10 | 1 | chiave fissa da 4-5 mm. | 4-5 mm. key | | | |
| 14 | 990174-0-10 | 1 | chiave da 7-9 mm. | 7-9 mm. key | | | |
| 15 | 990176-0-10 | 1 | pinza per infilatura | threading clers | | | |
| 16 | 990074-1-10 | 1 | lettina olio da 1 kg. | oil container | | | |
| 17 | 765200-6-90 | 10 | aghi sist. RIM 27 fin. 90 | needle RIM27 system | | | |
| 18 | 990985-0-00 | 1 | imbuto | oil funnel | | | |

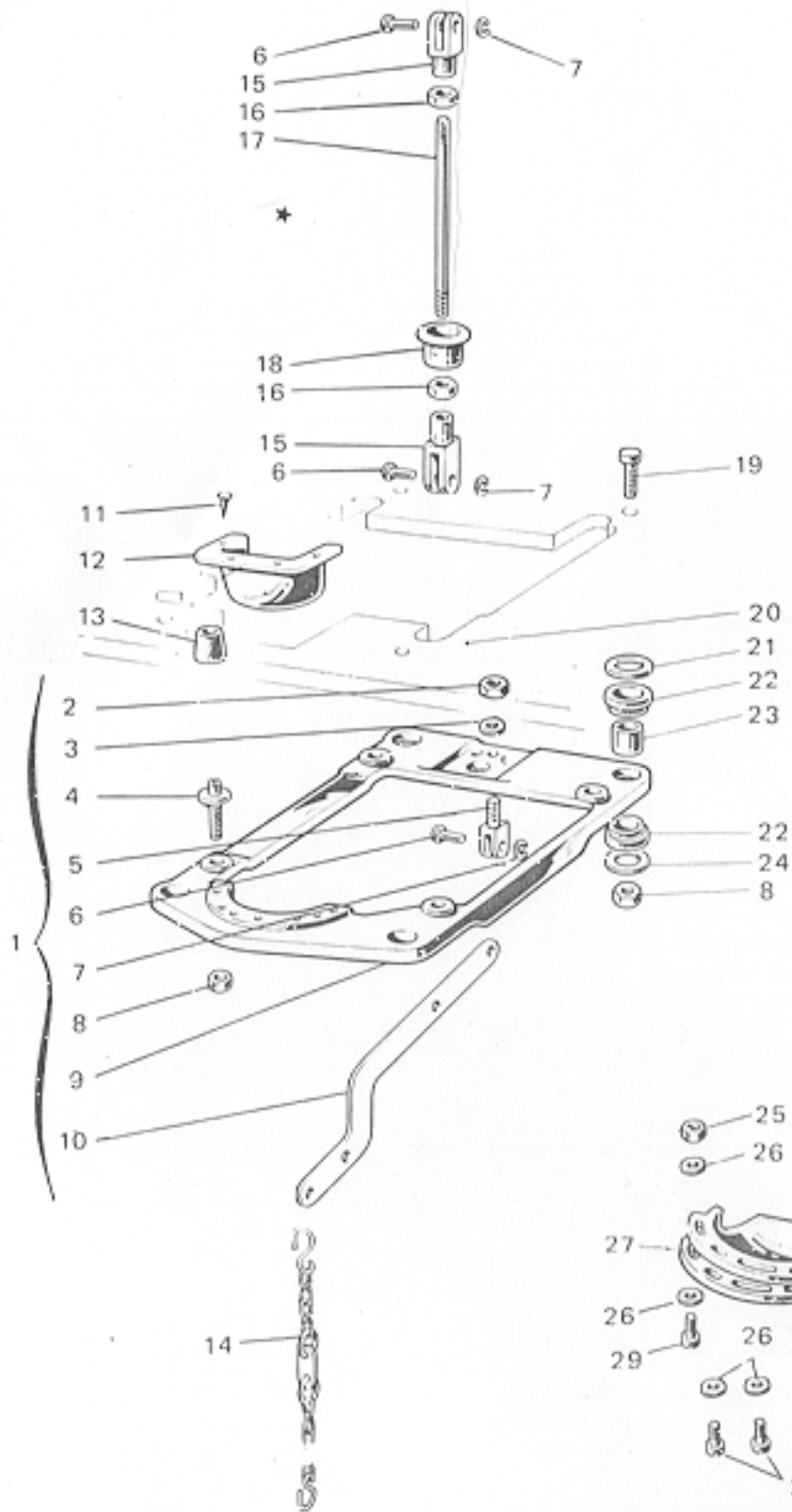
200
w
N
w

From the library of: Diamond Needle Corp

41

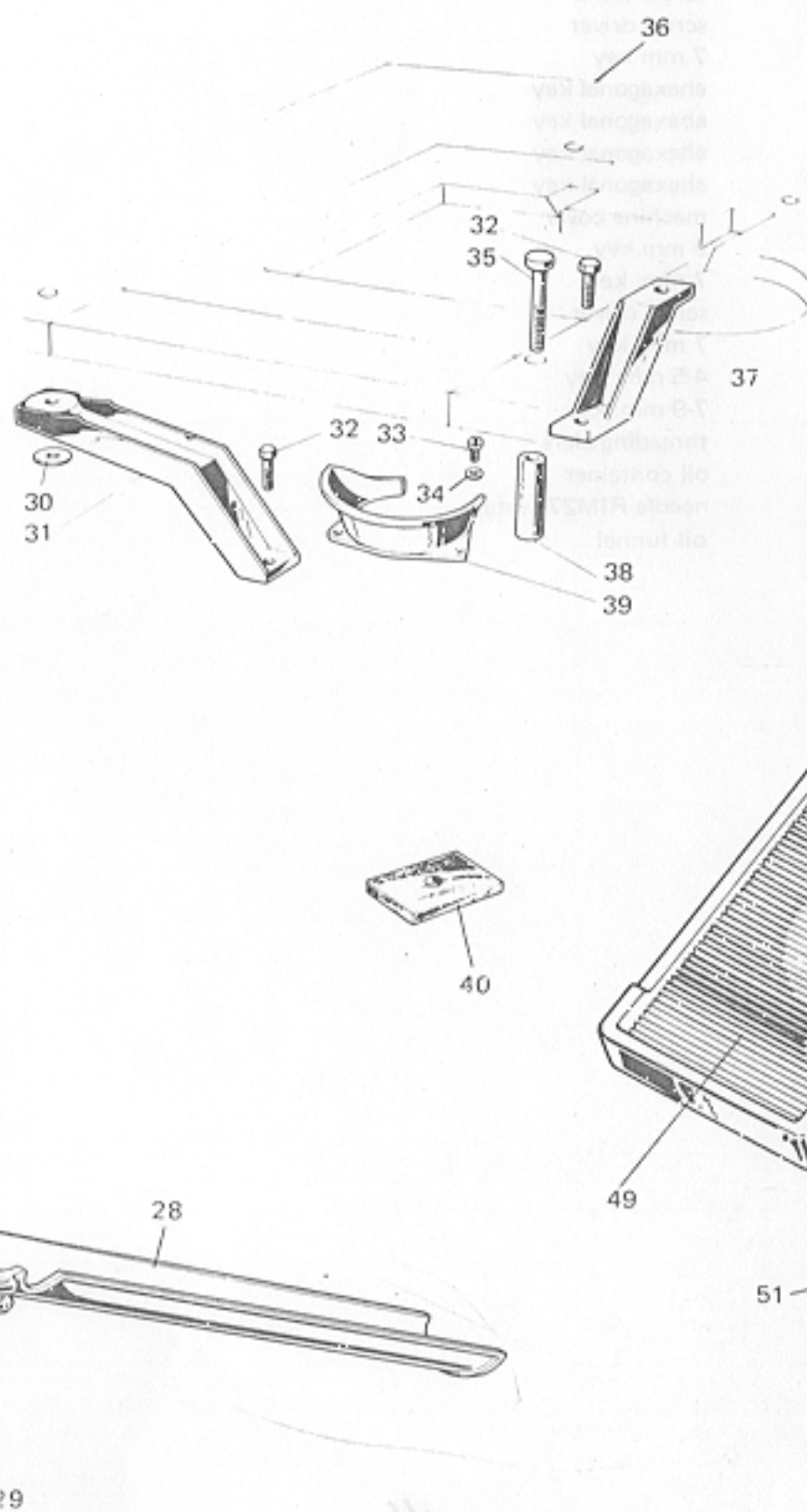
PIAZZAMENTO NORMALE

NORMAL SETTING



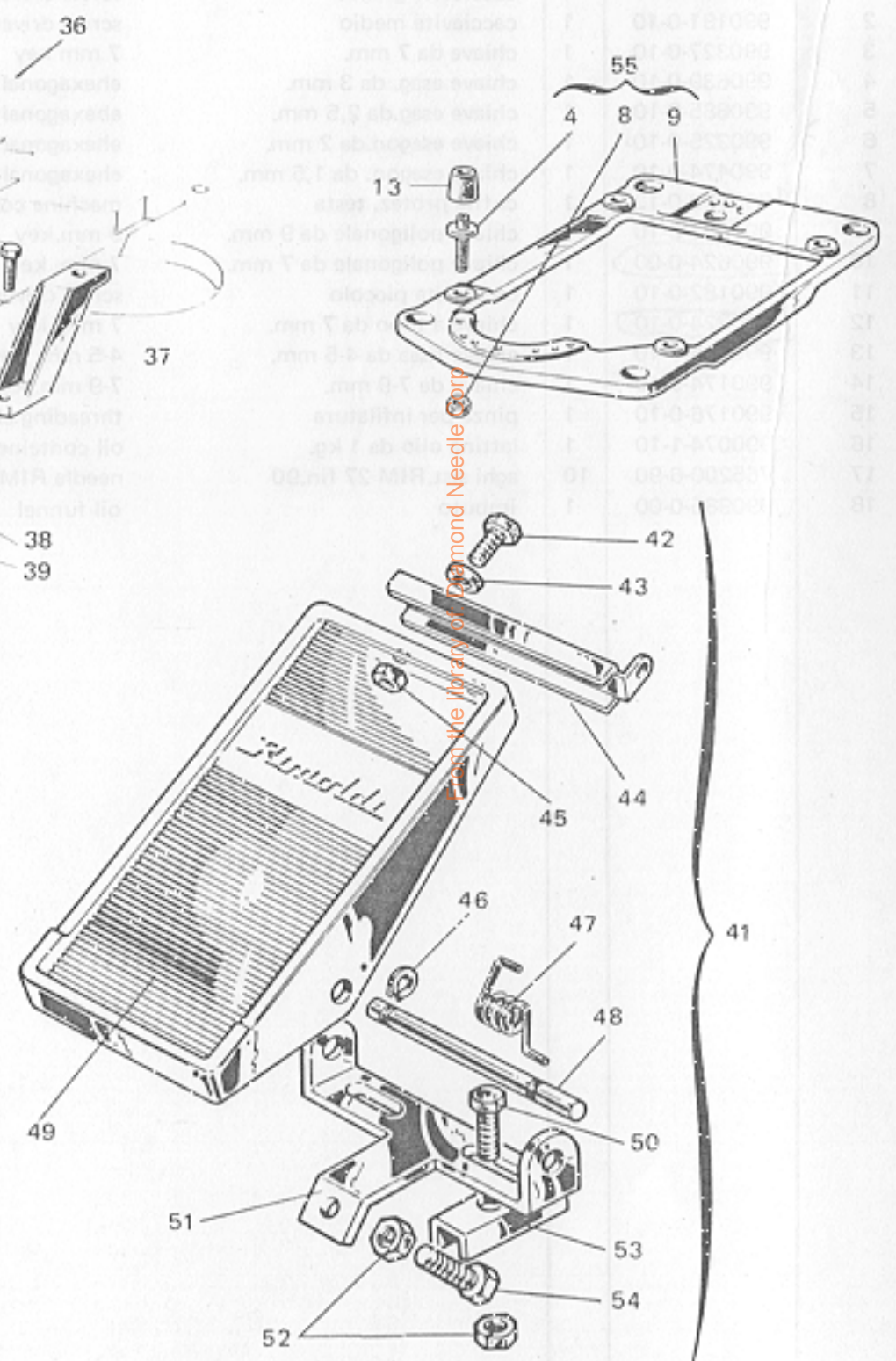
PIAZZAMENTO INCASSATO

SUBMERGED SETTING



PER PIAZZAMENTO CON MOTORE QUICK STOP TIPO D

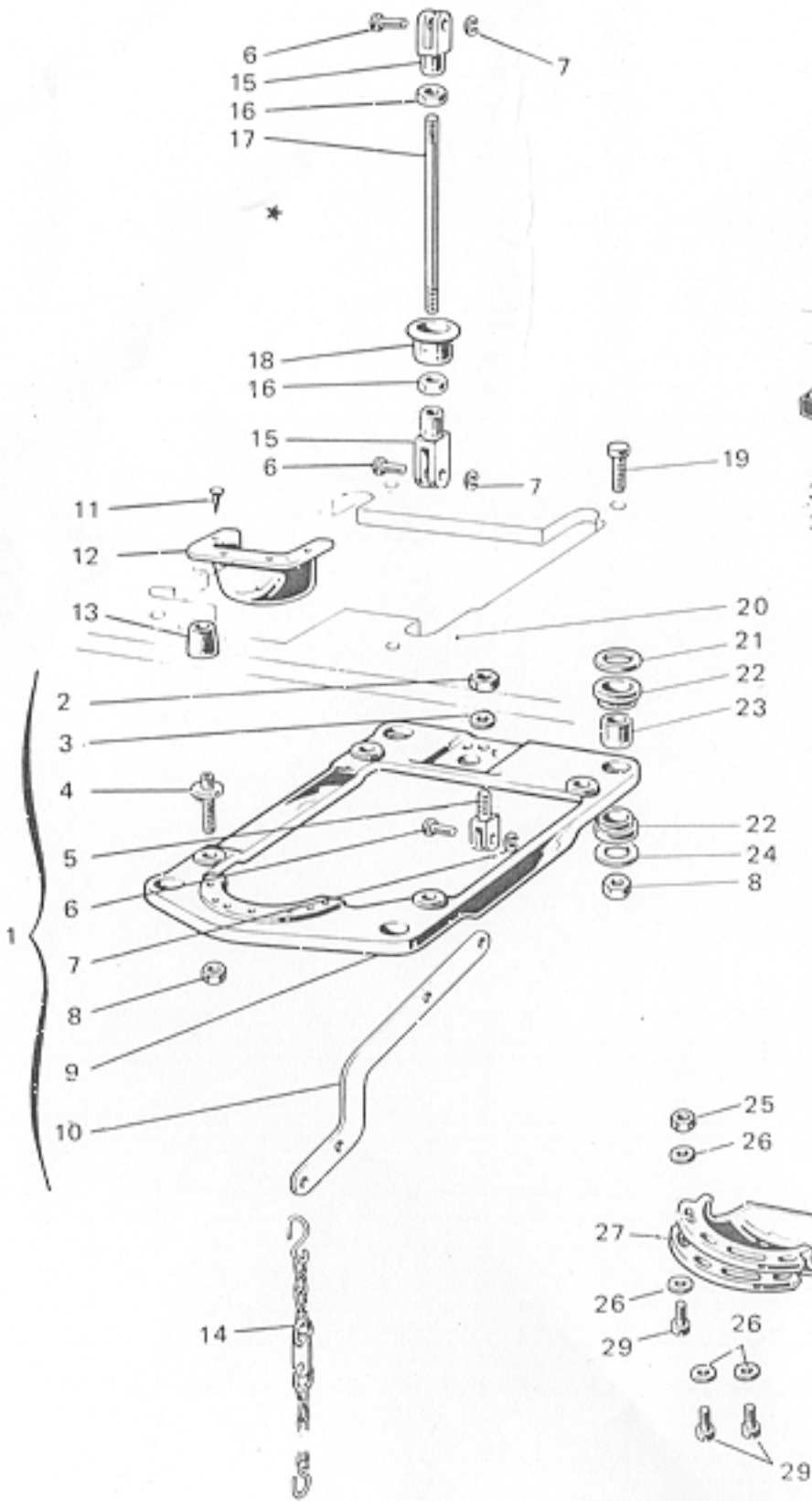
FOR SETTING WITH QUICK STOP ENGINE TYPE D



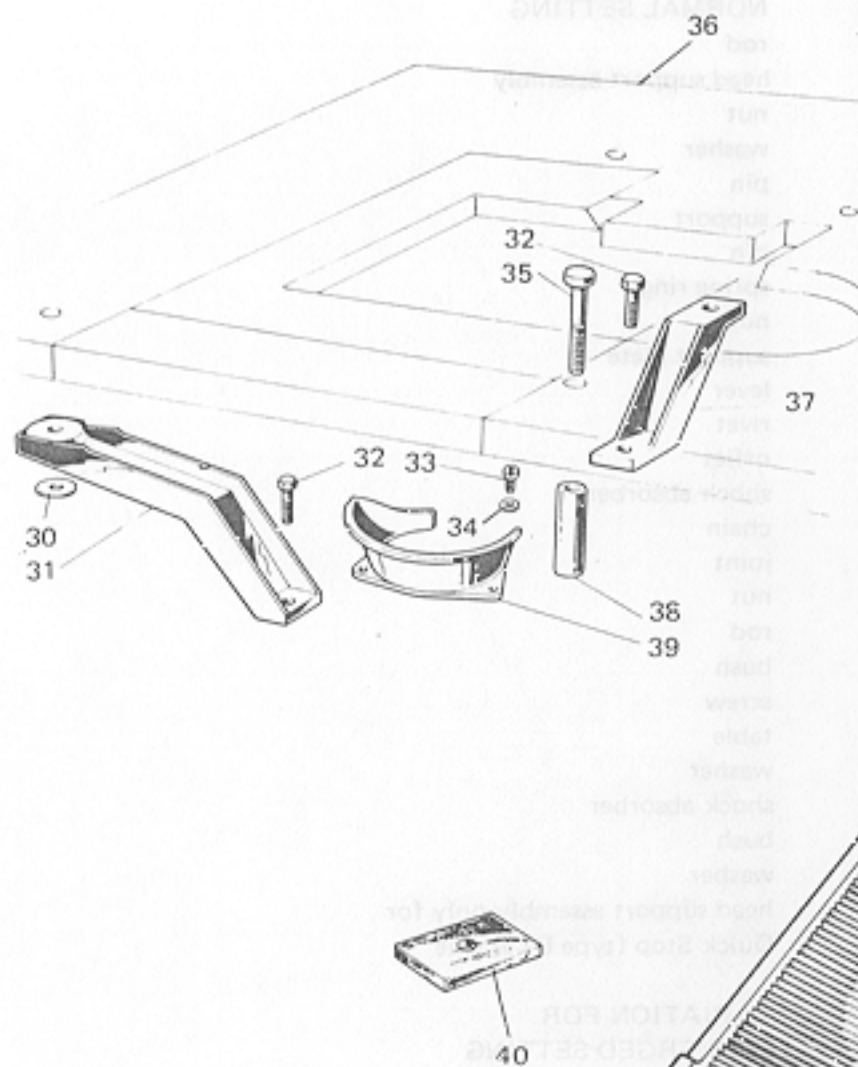
| Fig. N. Abb. | Part. N. Bestell N. Piece N. Pieza N. | Gt. Anzahl | DESCRIZIONE | DESCRIPTION | BENENNUNG | DESCRIPTION | DESCRIPCION |
|--------------|---------------------------------------|------------|---|---|-----------|-------------|-------------|
| ★ | 990984-4-00 | 1 | PIAZZAMENTO NORMALE | NORMAL SETTING | | | |
| 1 | 990986-4-00 | 1 | tirante alza piedino | rod | | | |
| 2 | 746409-2-00 | 1 | supporto testa completo | head support assembly | | | |
| 3 | 704424-2-00 | 1 | dado | nut | | | |
| 4 | 704424-2-00 | 1 | rondella | washer | | | |
| 4 | 900694-0-11 | 4 | perno | pin | | | |
| 5 | 990314-0-00 | 1 | supportino per leva | support | | | |
| 6 | 990311-0-10 | 3 | perno | pin | | | |
| 7 | 700205-0-00 | 3 | anello elastico | spring ring | | | |
| 8 | 733008-2-00 | 2 | dado | nut | | | |
| 9 | 990981-0-00 | 1 | piastra supporto testa | support plate | | | |
| 10 | 990316-0-10 | 1 | leva comando alza piedino | lever | | | |
| 11 | 900201-0-10 | 4 | chiodino | rivet | | | |
| 12 | 991187-0-00 | 1 | bocchetta scarica ritagli | offlet | | | |
| 13 | 990982-0-00 | 4 | ammortizzatore | shock absorber | | | |
| 14 | 900179-4-11 | 1 | catenella | chain | | | |
| 15 | 990310-0-10 | 2 | giunto | joint | | | |
| 16 | 746402-0-00 | 2 | dado | nut | | | |
| 17 | 990983-0-00 | 1 | tirante | rod | | | |
| 18 | 900204-0-10 | 1 | bussola | bush | | | |
| 19 | 722905-2-00 | 4 | vite | screw | | | |
| 20 | 901120-2-00 | 1 | tavola | table | | | |
| 21 | 704346-2-00 | 4 | rondella | washer | | | |
| 22 | 901101-0-00 | 8 | ammortizzatore | shock absorber | | | |
| 23 | 901102-0-00 | 4 | bussola | bush | | | |
| 24 | 704345-2-00 | 4 | rondella | washer | | | |
| 55 | 990987-4-00 | 1 | supporto testa completo solo per motore Quick Stop-tipo D | head support assembly-only for Quick Stop (type D) engine | | | |
| | | | VARIANTE PER PIAZZAMENTO INCASSATO | VARIATION FOR SUBMERGED SETTING | | | |
| 30 | 704536-0-00 | 2 | rondella | washer | | | |
| 31 | 901105-0-00 | 1 | staffa laterale | bracket | | | |
| 32 | 720566-2-00 | 2 | vite | screw | | | |
| 33 | 721475-2-00 | 2 | vite | screw | | | |
| 34 | 704409-2-00 | 2 | rondella | washer | | | |
| 35 | 722917-2-00 | 2 | vite | screw | | | |
| 36 | 901123-4-00 | 1 | tavola | table | | | |
| 37 | 901104-0-00 | 1 | staffa posteriore | rear bracket | | | |
| 38 | 901103-0-00 | 2 | distanziale | spacer | | | |
| 39 | 991188-0-00 | 1 | bocchetta scarica ritagli | offlet | | | |

From the library of: Diamond Needle Corp

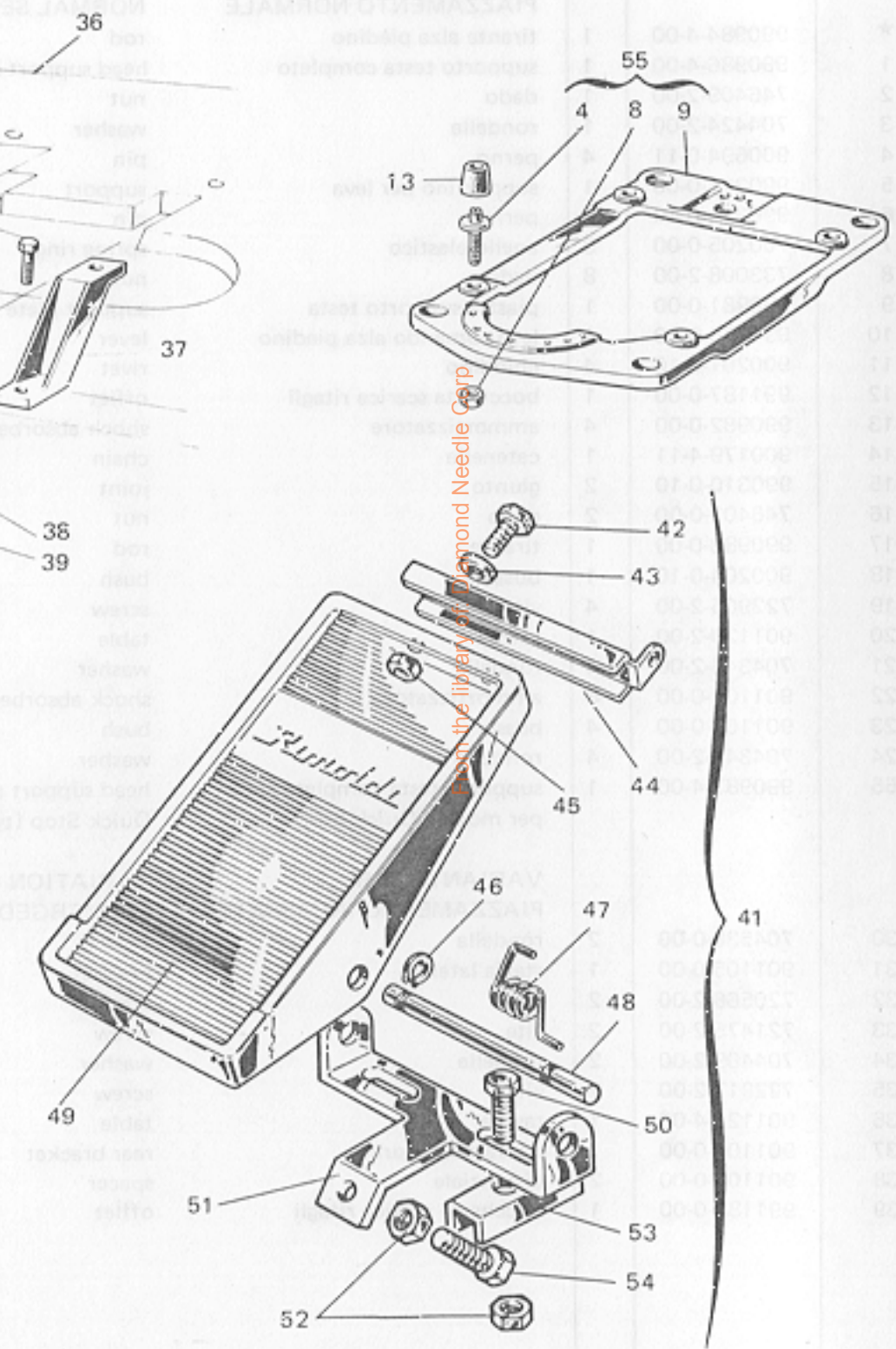
PIAZZAMENTO NORMALE
NORMAL SETTING



PIAZZAMENTO INCASSATO
SUBMERGED SETTING



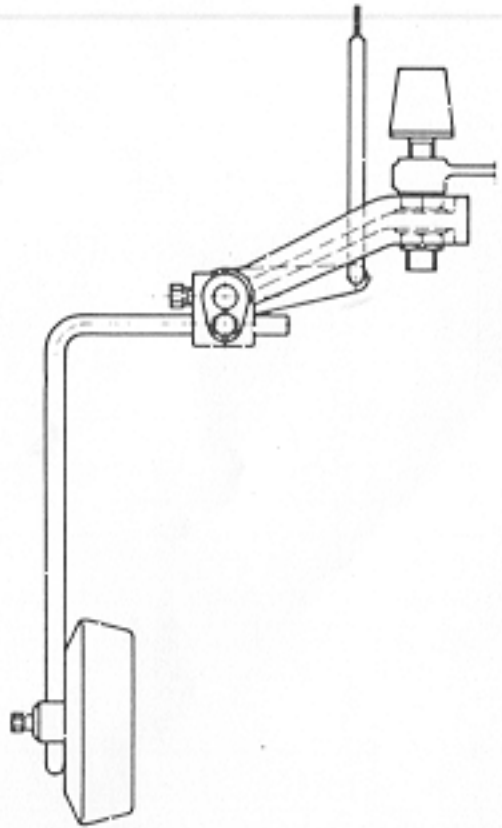
PER PIAZZAMENTO CON MOTORE QUICK STOP TIPO D
FOR SETTING WITH QUICK STOP ENGINE TYPE D



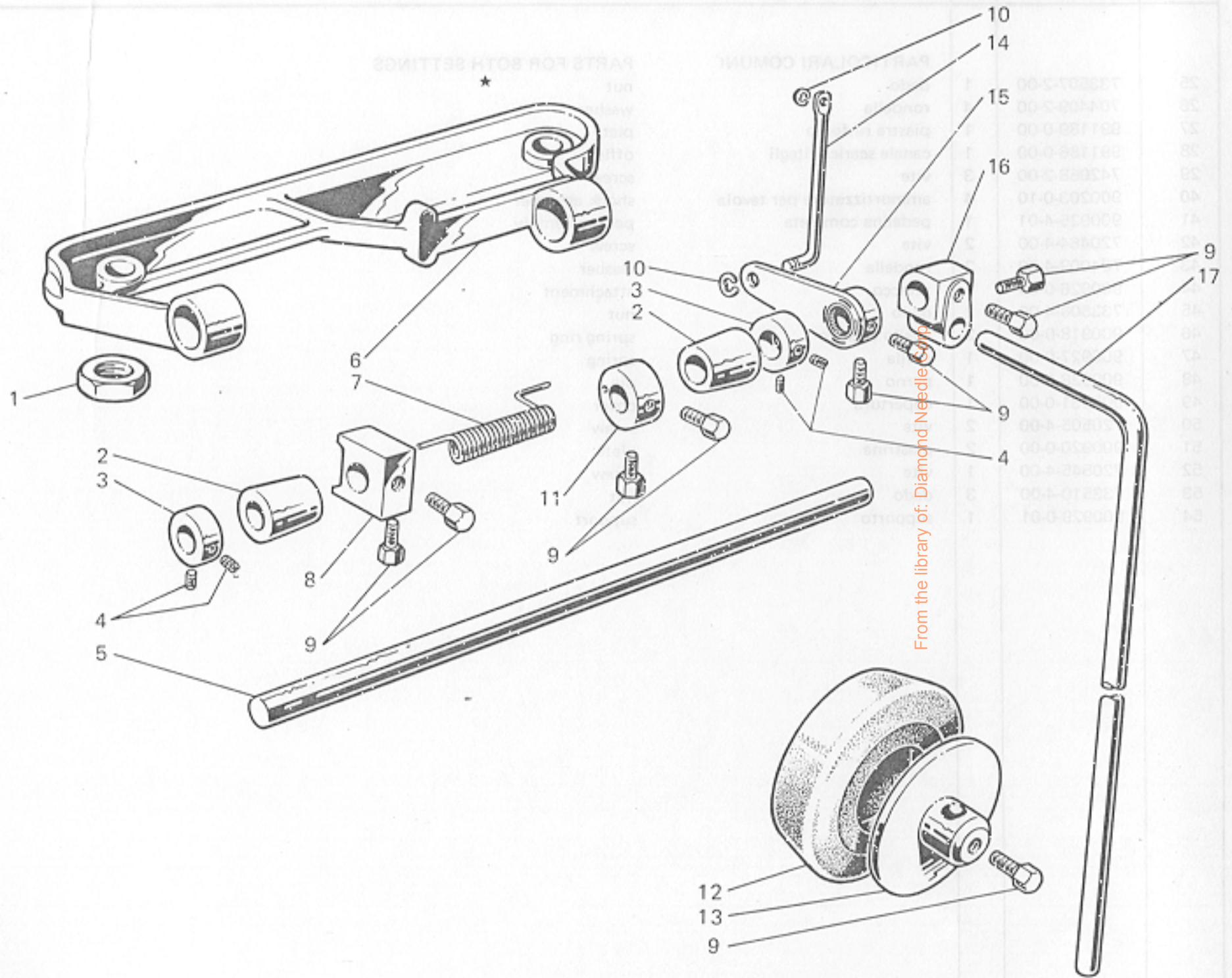
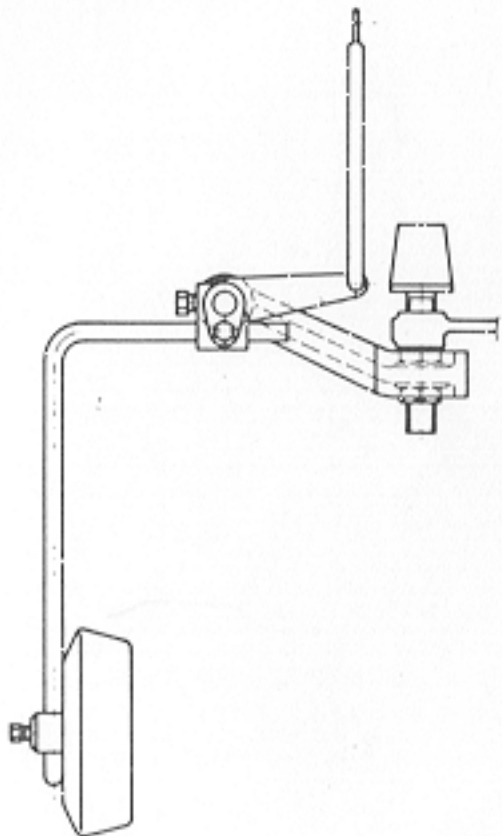
| Fig. N. Abb. N. | Part. N. Bestell N. Pieze N. Pieza N. | Qt. Anzahl | DESCRIZIONE | DESCRIPTION | BENENNUNG | DESCRIPTION | DESCRIPCION |
|--------------------|--|---------------|---------------------------|--------------------------------|-----------|-------------|-------------|
| | | | PARTICOLARI COMUNI | PARTS FOR BOTH SETTINGS | | | |
| 25 | 733507-2-00 | 1 | dado | nut | | | |
| 26 | 704409-2-00 | 4 | rondella | washer | | | |
| 27 | 991189-0-00 | 1 | piastra rinforzo | plate | | | |
| 28 | 991186-0-00 | 1 | canale scarica ritagli | offlet | | | |
| 29 | 742068-2-00 | 3 | vite | screw | | | |
| 40 | 900203-0-10 | 4 | ammortizzatore per tavola | shock absorber | | | |
| 41 | 900925-4-01 | 1 | pedalina completa | pedal assembly | | | |
| 42 | 720464-4-00 | 2 | vite | screw | | | |
| 43 | 704009-4-00 | 2 | rondella | washer | | | |
| 44 | 900926-0-00 | 1 | attacco | attachment | | | |
| 45 | 733508-4-00 | 2 | dado | nut | | | |
| 46 | 900918-0-00 | 2 | anello elastico | spring ring | | | |
| 47 | 900927-0-00 | 1 | molla | spring | | | |
| 48 | 900928-0-00 | 1 | perno | pin | | | |
| 49 | 900931-0-00 | 1 | copertura | cover | | | |
| 50 | 720505-4-00 | 2 | vite | screw | | | |
| 51 | 900920-0-00 | 2 | piastrina | plate | | | |
| 52 | 720545-4-00 | 1 | vite | screw | | | |
| 53 | 733510-4-00 | 3 | dado | nut | | | |
| 54 | 900929-0-01 | 1 | supporto | support | | | |

From the library of: Diamond Needle Corp

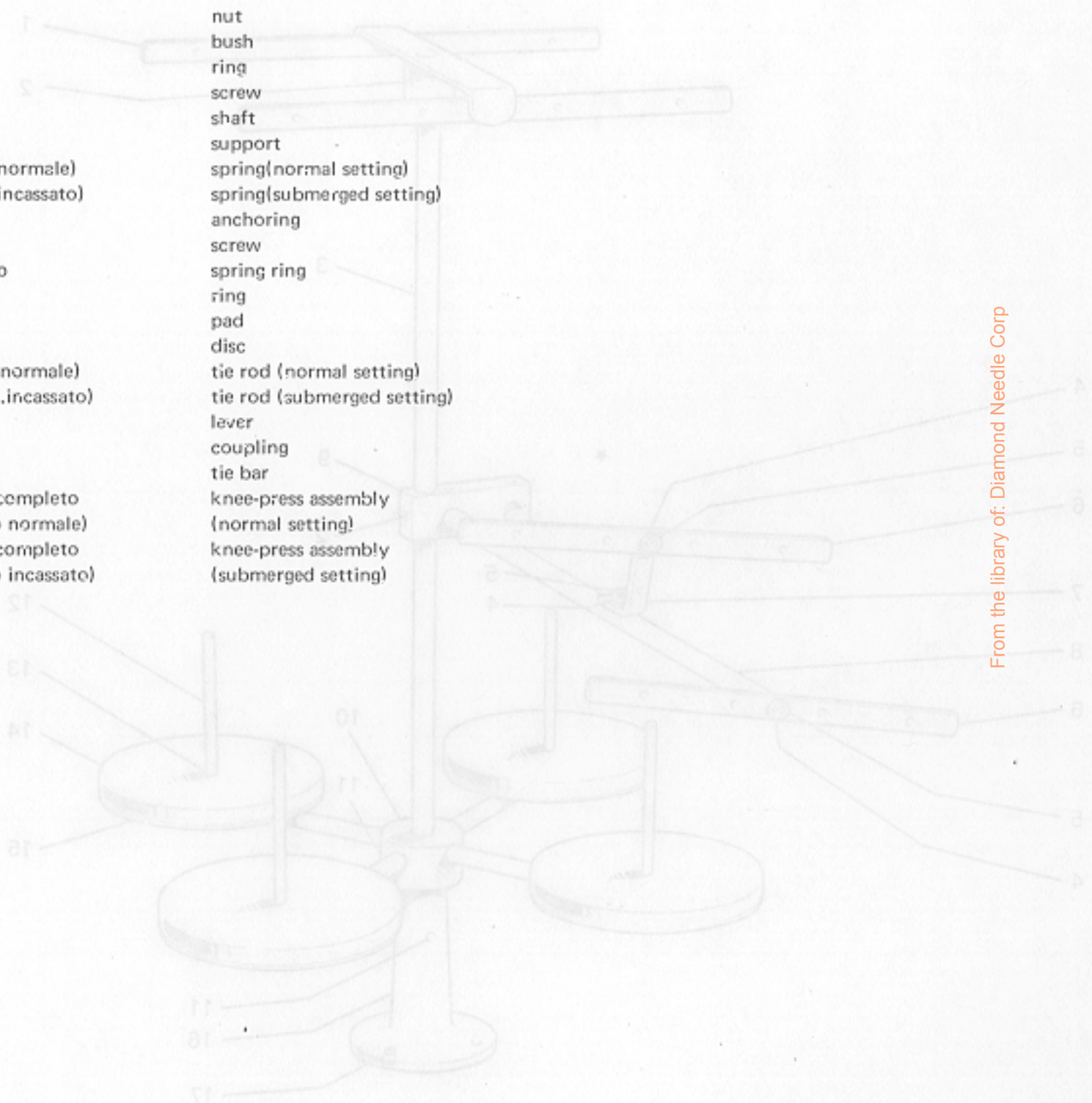
PIAZZAMENTO NORMALE
NORMAL SETTING



PIAZZAMENTO INCASSATO
SUBMERGED SETTING



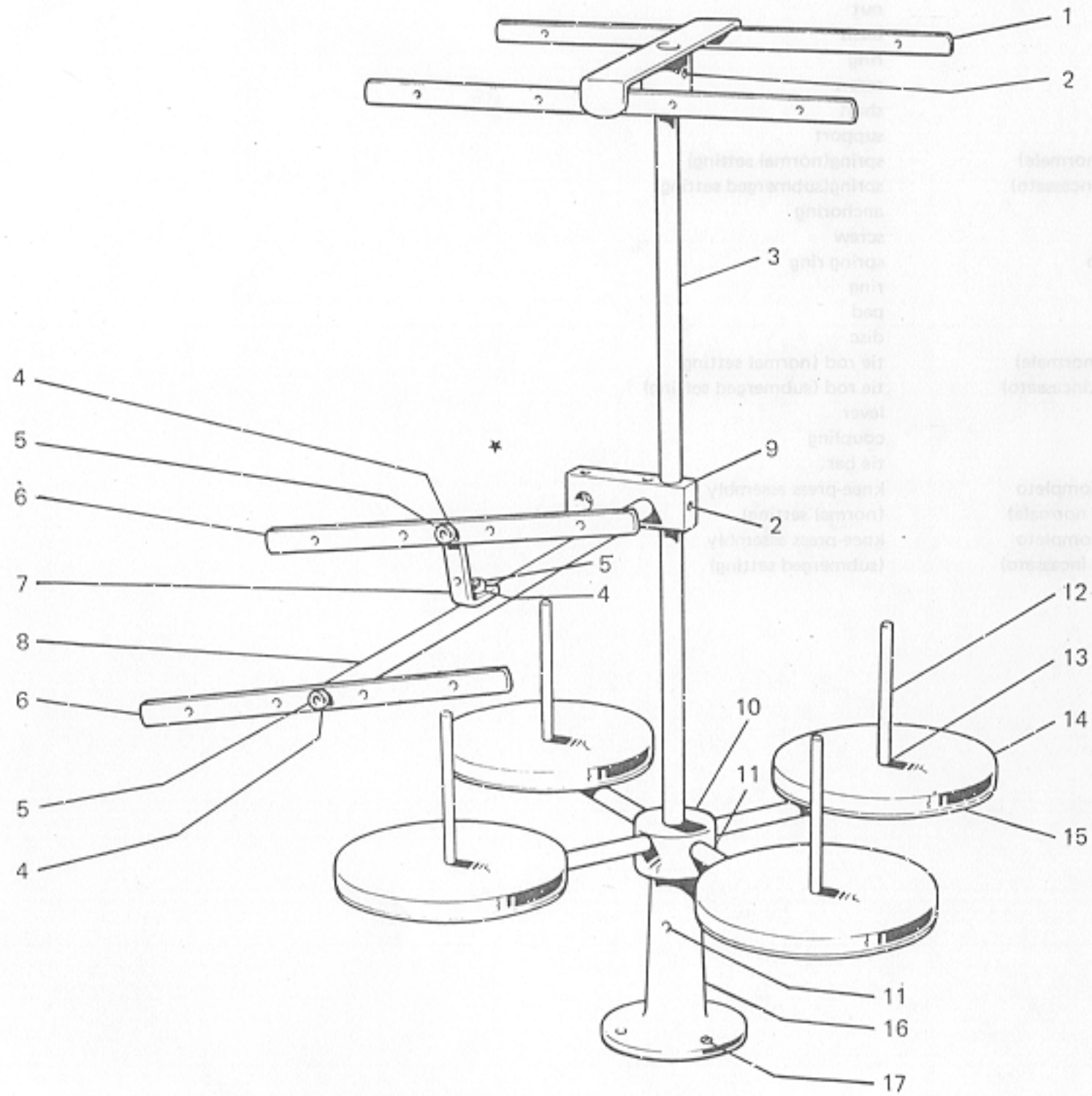
| Fig. N. Abb. N. | Part. N. Bestell N. Pieze N. | Qt. Anzahl | DESCRIZIONE | DESCRIPTION | BENENNUNG | DESCRIPTION | DESCRIPCION |
|--------------------|------------------------------------|---------------|--|--|-----------|-------------|-------------|
| 1 | 733008-2-00 | 2 | dado | nut | | | |
| 2 | 920231-0-00 | 2 | bussola | bush | | | |
| 3 | 202395-0-10 | 2 | anello | ring | | | |
| 4 | 727024-0-00 | 4 | vite | screw | | | |
| 5 | 920230-0-00 | 1 | albero | shaft | | | |
| 6 | 920241-0-00 | 1 | supporto | support | | | |
| 7 | 920235-0-10 | 1 | molla (piazz.normale) | spring(normal setting) | | | |
| | 920106-0-00 | 1 | molla (piazz.incassato) | spring(submerged setting) | | | |
| 8 | 920128-0-00 | 1 | ancora | anchoring | | | |
| 9 | 740035-0-00 | 9 | vite | screw | | | |
| 10 | 700206-0-00 | 2 | anello elastico | spring ring | | | |
| 11 | 920114-0-10 | 1 | anello | ring | | | |
| 12 | 920113-0-10 | 1 | cuscinio | pad | | | |
| 13 | 920105-0-10 | 1 | disco | disc | | | |
| 14 | 920236-0-00 | 1 | tirante(piazz.normale) | tie rod (normal setting) | | | |
| | 920237-0-00 | 1 | tirante (piazz.incassato) | tie rod (submerged setting) | | | |
| 15 | 920232-2-00 | 1 | leva | lever | | | |
| 16 | 920103-0-10 | 1 | attacco | coupling | | | |
| 17 | 920490-0-10 | 1 | asta | tie bar | | | |
| * | 920245-4-00 | 1 | ginocchietto completo (piazzamento normale) | knee-press assembly (normal setting) | | | |
| | 920246-4-00 | 1 | ginocchietto completo (piazzamento incassato) | knee-press assembly (submerged setting) | | | |



From the library of: Diamond Needle Corp

Rimoldi

TAV.16



From the library of: Diamond Needle Corp

| Fig. N. Abb. N. | Part. N. Bestell N. Piece N. Pieza N. | Qt. Anzahl | DESCRIZIONE | DESCRIPTION | BENENNUNG | DESCRIPTION | DESCRIPCION |
|--------------------|--|---------------|----------------------------------|---------------------------------------|-----------|-------------|-------------|
| * | 991120-6-00 | 1 | porta bobine completo (3-4 fili) | bobbin carrier assembly (3-4 threads) | | | |
| | 991127-4-00 | 1 | telaioetto suppl. compl. | supplementary frame assembly | | | |
| 1 | 991121-3-00 | 1 | telaioetto superiore completo | upper frame assembly | | | |
| 2 | 729034-2-00 | 3 | vite | screw | | | |
| 3 | 991113-0-00 | 1 | asta principale | rod | | | |
| 4 | 703005-0-00 | 3 | rondella | washer | | | |
| 5 | 722431-2-00 | 3 | vite | screw | | | |
| 6 | 991158-2-00 | 2 | telaioetto con bussole | frame with bushes | | | |
| 7 | 991107-0-00 | 1 | squadretta | bracket | | | |
| 8 | 991106-0-00 | 1 | asta | rod | | | |
| 9 | 991128-0-00 | 1 | blocchetto | block | | | |
| 10 | 991129-3-00 | 1 | mozzo con aste | hub with pin | | | |
| 11 | 729054-2-00 | 3 | vite | screw | | | |
| 12 | 991111-0-00 | 4 | astina | rod | | | |
| 13 | 733508-2-00 | 8 | dado | nut | | | |
| 14 | 991179-0-00 | 4 | dísc | disc | | | |
| 15 | 991112-0-00 | 4 | piatto | disc | | | |
| 16 | 991114-0-00 | 1 | basetta | base | | | |
| 17 | 731107-6-00 | 3 | vite a legno | screw | | | |

From the library of: Diamond Needle Corp

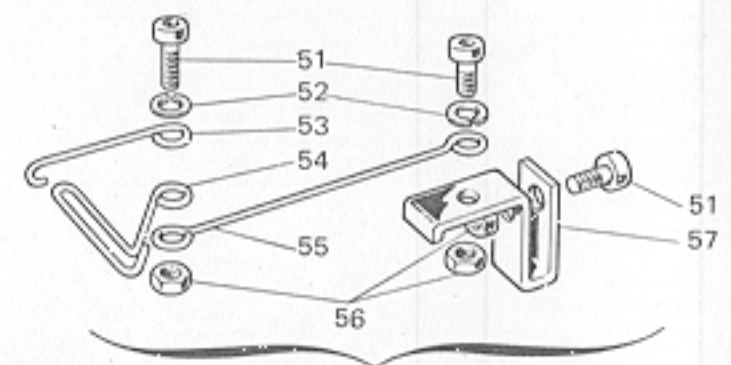
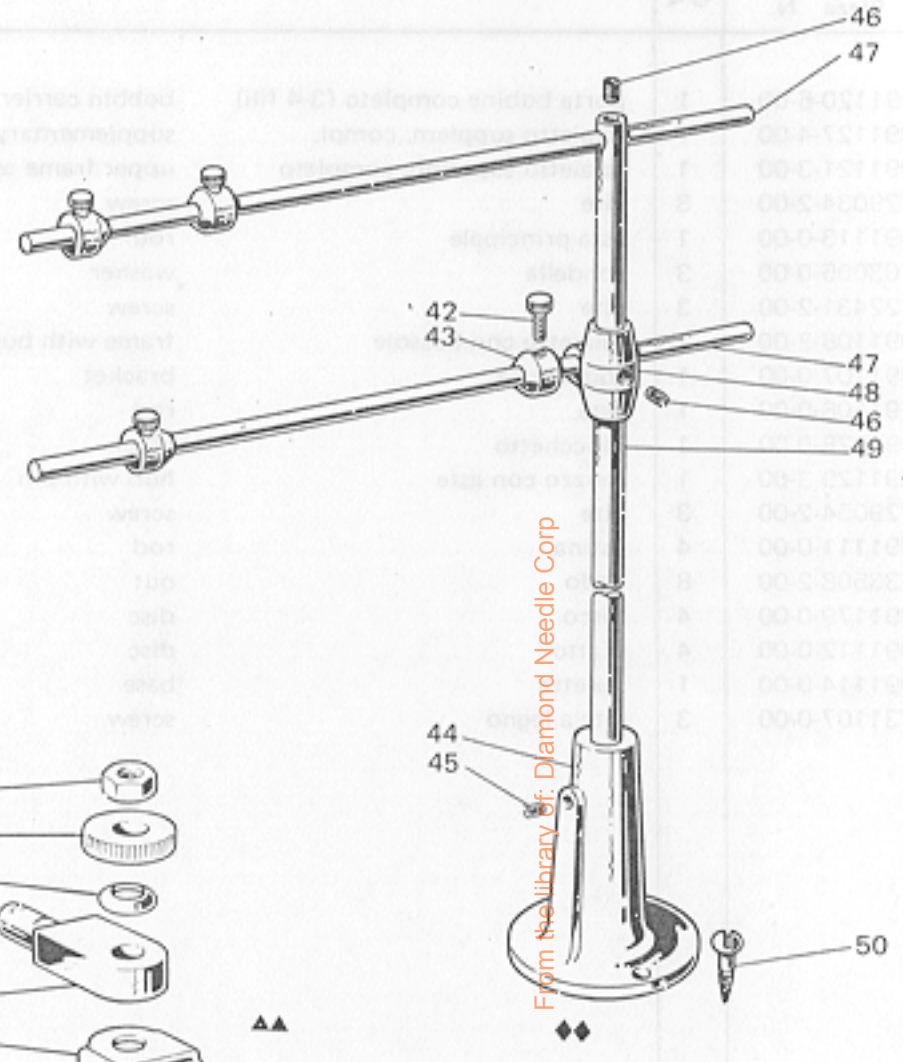
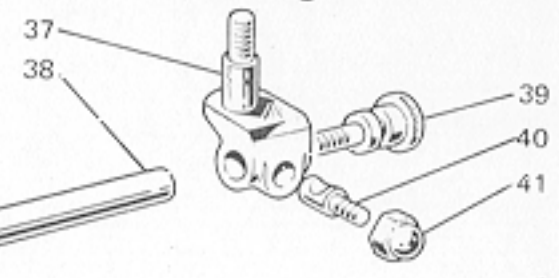
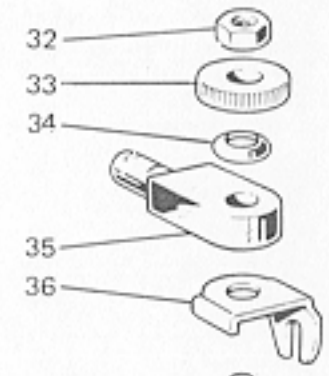
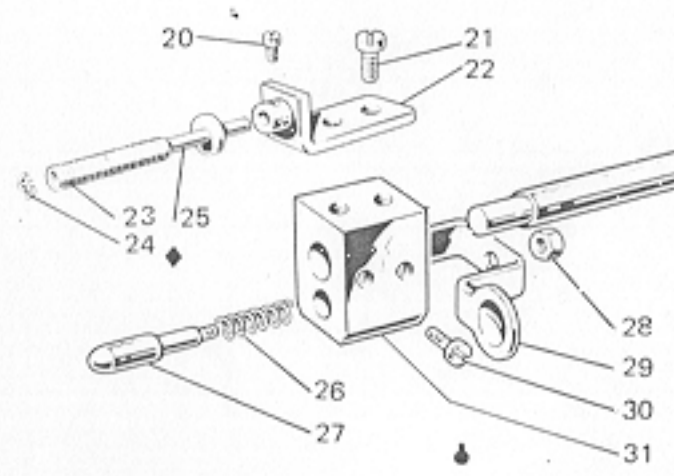
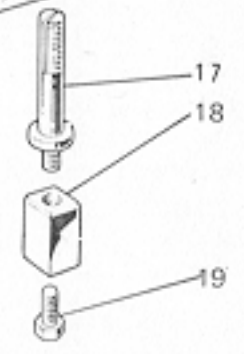
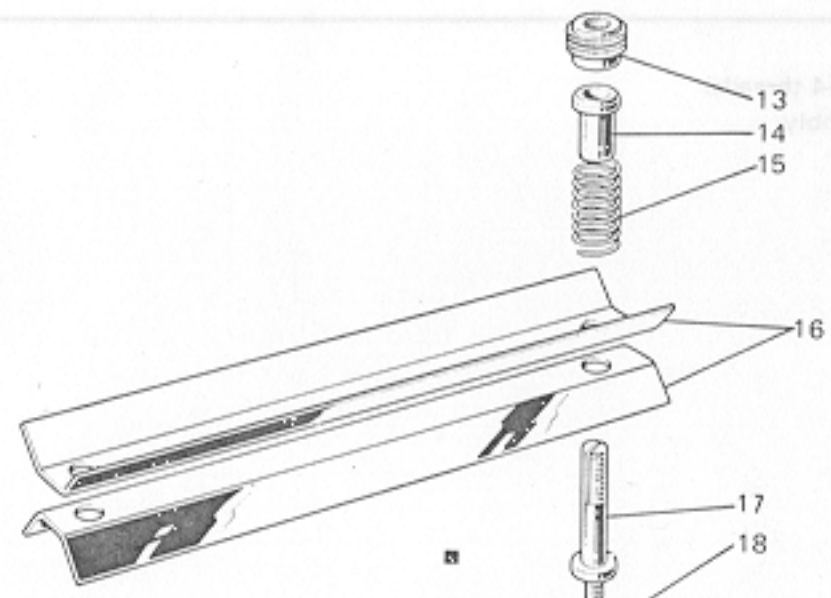
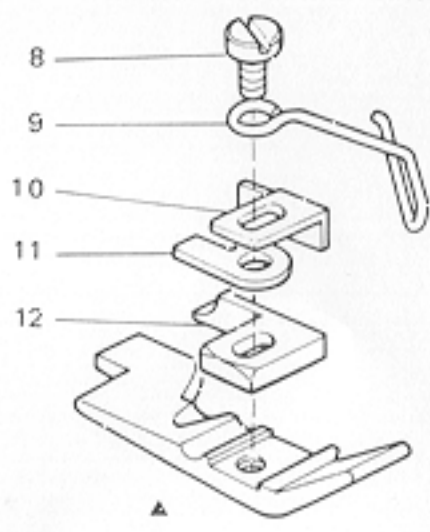
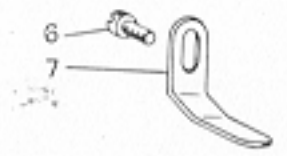
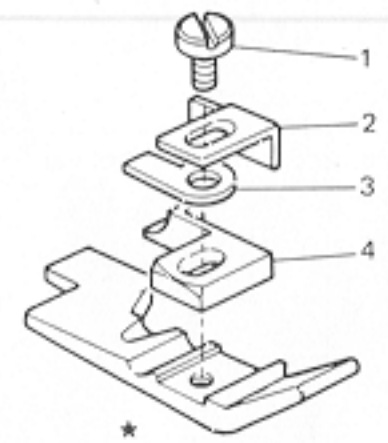
DESCRIPTION

DESCRIPTION

BENENNUNG

DESCRIPTION

DESCRIZIONE



From the library of: Diamond Needle Corp

| Fig. N. Abb. | Fart. N. Bestell N. Piece N. Pieza N. | Qt. Anzahl | DESCRIZIONE | DESCRIPTION | BENENNUNG | DESCRIPTION | DESCRIPCION |
|--------------|---------------------------------------|------------|-----------------------------------|---------------------------------------|-----------|-------------|-------------|
| ★ | 206723-4-00 | 1 | piano di lavoro completo | working plate assembly | | | |
| 1 | 206722-2-00 | 1 | piano di lavoro | working plate | | | |
| 2 | 745126-2-00 | 2 | viti | screw | | | |
| 3 | 202393-0-10 | 1 | anello | ring | | | |
| 4 | 206716-0-00 | 1 | molla | spring | | | |
| 5 | 721433-2-00 | 6 | viti | screw | | | |
| 6 | 206727-0-00 | 1 | tappo carico olio | plug | | | |
| 7 | 206725-2-00 | 1 | coperchio cinematismo | cover | | | |
| 8 | 206726-0-00 | 1 | guarnizione | gasket | | | |
| 9 | 202026-0-10 | 1 | tappo | plug | | | |
| 10 | 705957-0-00 | 1 | rondella cartone | washer | | | |
| 11 | 206715-0-00 | 1 | vite testa sferica | screw | | | |
| 12 | 746007-2-00 | 1 | dado | nut | | | |
| 13 | 206744-0-00 | 1 | tampone | pad | | | |
| 14 | 206534-0-00 | 1 | tappo | plug | | | |
| 15 | 744742-0-00 | 2 | vite per placca ago | screw for needle plate | | | |
| 16 | 729043-2-00 | 2 | vite per salva ago e spingi asola | screw for rear and front needle guard | | | |
| 17 | 202398-0-10 | 1 | tappo | plug | | | |

From the library of: Diamond Needle Corp

| Fig. N. Abb. N. | Part. N. Bestell N. Piece N. Pieza N. | Qt. Anzahl | DESCRIZIONE | DESCRIPTION | BENENNUNG | DESCRIPTION | DESCRIPCION |
|--------------------|--|---------------|---------------------------------|------------------------|-----------|-------------|-------------|
| ★ | 202642-3-10 | 1 | pedino completo | presserfoot assembly | | | |
| 1 | 741675-2-00 | 1 | vite | screw | | | |
| 2 | 202648-0-10 | 1 | piastrina | plate | | | |
| 3 | 202201-0-10 | 1 | staffa | bracket | | | |
| 4 | 202660-0-10 | 1 | linguetta | tongue | | | |
| 5 | 200662-0-10 | 1 | carterino coltello super. | cover upper knife | | | |
| 6 | 203187-0-10 | 1 | vite | screw | | | |
| 7 | 206771-0-10 | 1 | squadretta di fermo pedino | bracket | | | |
| | | | <u>Particolari a richiesta</u> | <u>Only on request</u> | | | |
| ▲ | 202732-3-00 | 1 | pedino completo | presserfoot assembly | | | |
| 8 | 741685-0-00 | 1 | vite | screw | | | |
| 9 | 202193-0-10 | 1 | guida | guide | | | |
| 10 | 202648-0-10 | 1 | piastrina | plate | | | |
| 11 | 202201-0-10 | 1 | staffa | bracket | | | |
| 12 | 202660-0-10 | 1 | linguetta | tongue | | | |
| ■ | 990361-4-10 | 1 | frenaggio elastico | elastic brake | | | |
| 13 | 200699-0-10 | 2 | pomolo | knob | | | |
| 14 | 200074-0-10 | 2 | bussola | bush | | | |
| 15 | 200713-0-10 | 2 | molla | spring | | | |
| 16 | 990360-0-10 | 2 | lamina di frenaggio | plate | | | |
| 17 | 200698-0-10 | 2 | perno a vite | pin | | | |
| 18 | 990355-0-10 | 2 | blocchetto | block | | | |
| 19 | 740245-2-00 | 2 | vite | screw | | | |
| ● | 202996-5-00 | 1 | supporto regolabile con rullino | support | | | |
| 20 | 741520-2-00 | 1 | vite | screw | | | |
| 21 | 721434-2-00 | 2 | vite | screw | | | |
| 22 | 202999-2-00 | 1 | squadretta con bussola | bracket | | | |
| ◆ | 202715-4-10 | 1 | rullino con perno | roller for pin | | | |
| 23 | 202665-0-10 | 1 | rullino | roller | | | |
| 24 | 700205-0-00 | 1 | anello elastico | spring ring | | | |
| 25 | 202714-0-10 | 1 | perno | pin | | | |
| ⬤ | 203239-4-10 | 1 | blocchetto con perno | block for pin | | | |
| 26 | 203198-0-10 | 1 | molla | spring | | | |
| 27 | 203253-0-10 | 1 | pistoncino | piston | | | |
| 28 | 746091-2-00 | 1 | dado | nut | | | |
| 29 | 203221-0-10 | 1 | levetta | lever | | | |
| 30 | 741642-2-00 | 2 | vite | screw | | | |
| 31 | 203238-0-10 | 1 | corpo del pieghettatore | body | | | |
| ▲▲ | 203223-4-10 | 1 | gruppo supporto con asta | support assembly | | | |
| 32 | 203795-0-10 | 1 | dado | nut | | | |
| 33 | 203716-0-10 | 1 | pomolo | knob | | | |
| 34 | 702408-0-00 | 1 | molla a tazza | spring | | | |
| 35 | 303713-0-10 | 1 | sostegno | stand | | | |
| 36 | 203794-0-10 | 1 | forcella | fork | | | |
| 37 | 203710-0-10 | 1 | supporto girevole | support | | | |
| 38 | 203227-0-10 | 1 | asta | rod | | | |
| 39 | 203715-0-10 | 1 | vite | screw | | | |
| 40 | 203714-0-10 | 1 | nottolino | powl | | | |
| 41 | 203212-0-10 | 1 | dado | nut | | | |
| ◆◆ | 990650-4-12 | 1 | porta rotolo | bobbin carrier | | | |
| 42 | 990596-0-10 | 4 | pomolo | knob | | | |
| 43 | 990594-0-10 | 4 | anello conico | ring cone | | | |
| 44 | 991114-0-00 | 1 | base | base | | | |

From the library of: Diamond Needle Corp

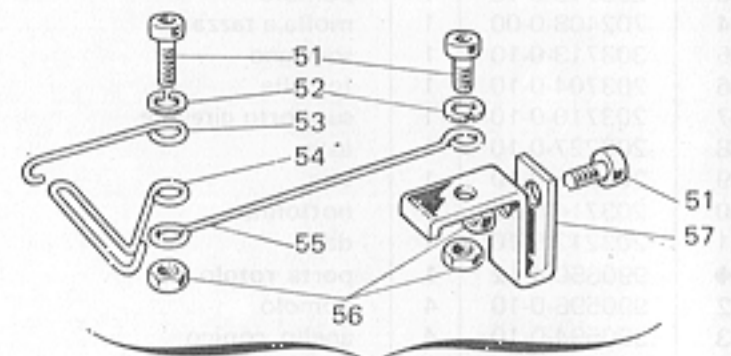
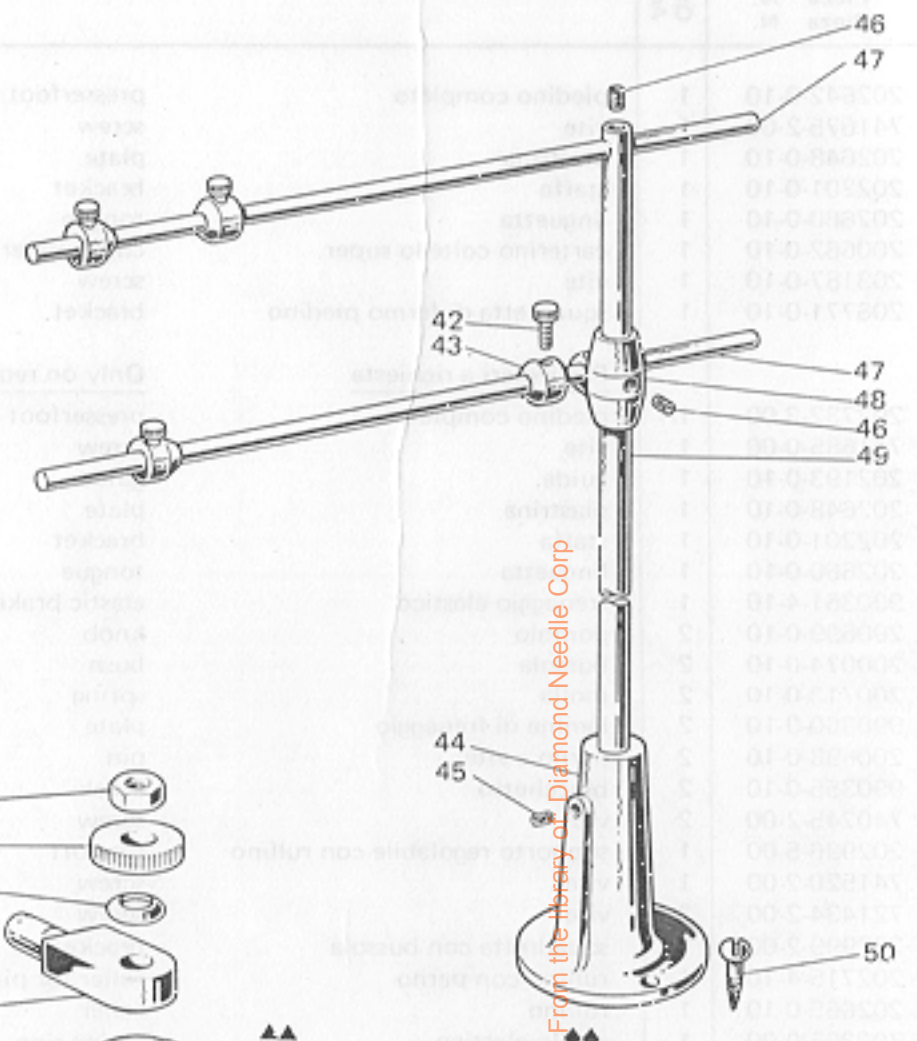
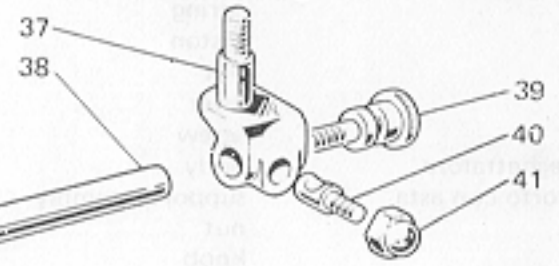
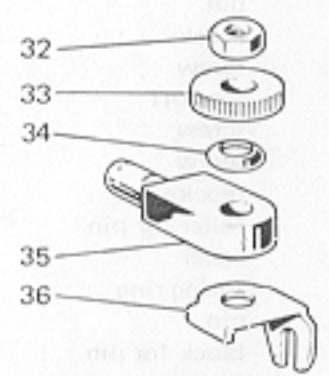
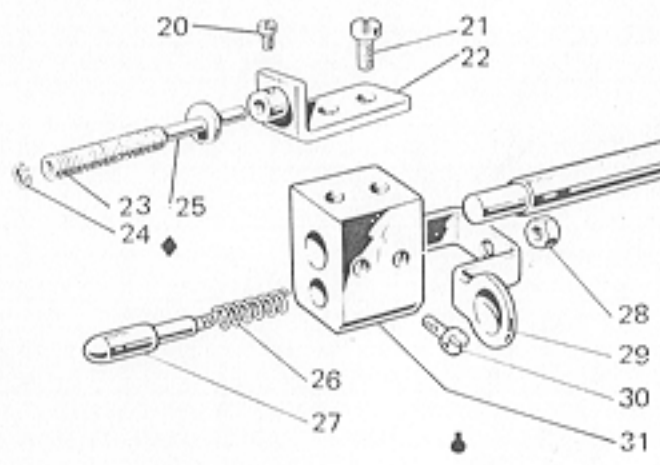
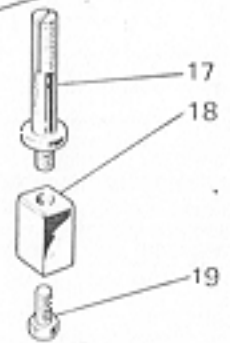
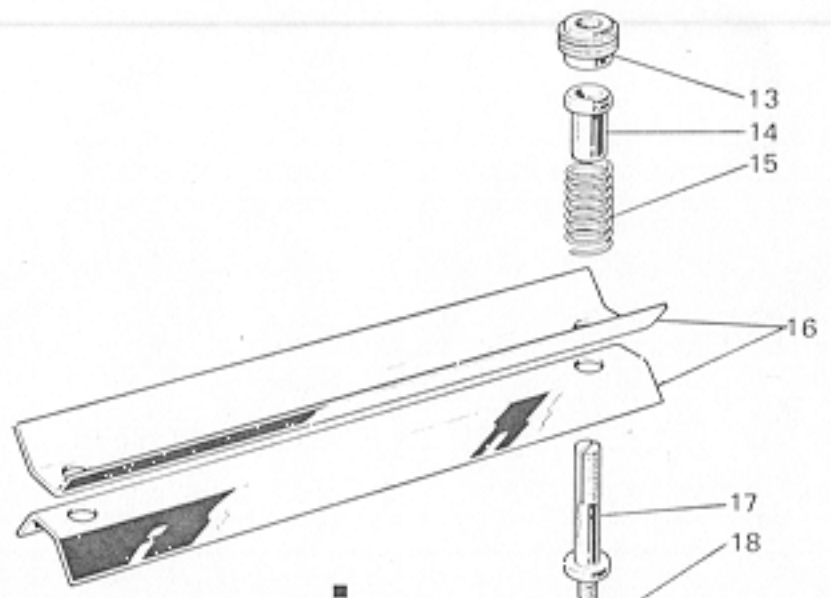
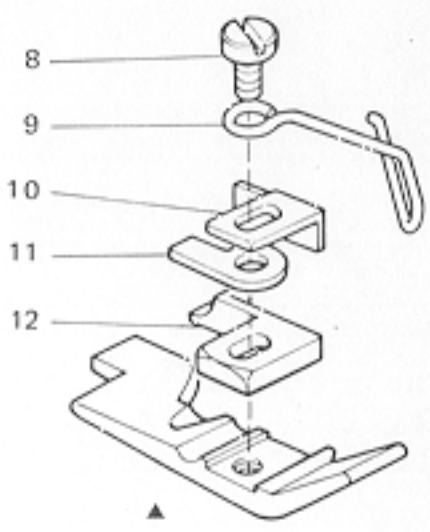
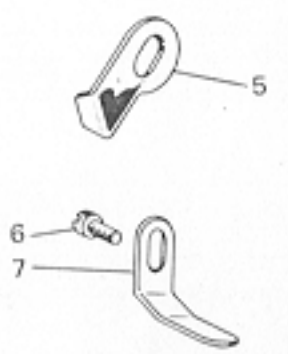
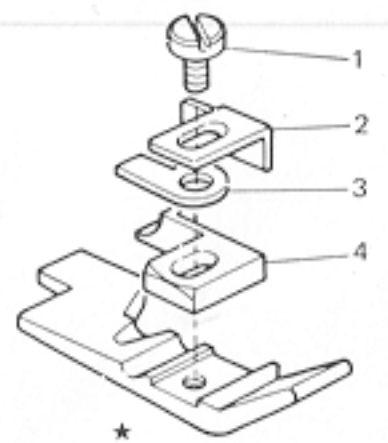
DESCRIPTION

DESCRIPTION

BENENNUNG

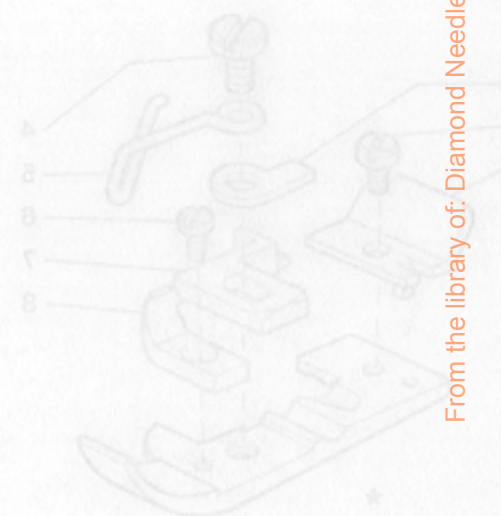
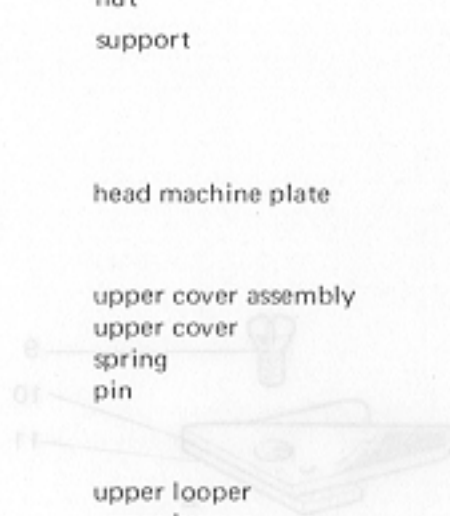
DESCRIPTION

DESCRIPTION



From the library of Diamond Needle Corp

| Fig. N. Abb. N. | Part. N. Bestell N. Piece N. Pieza N. | Qt. Anzahl | DESCRIZIONE | DESCRIPTION | BENENNUNG | DESCRIPTION | DESCRIPCION |
|--------------------------------|--|---------------|-------------------------------|------------------------|-----------|-------------|-------------|
| 45 | 729054-2-00 | 1 | grano | screw | | | |
| 46 | 729024-2-00 | 3 | grano | screw | | | |
| 47 | 990593-0-11 | 2 | spina | pin | | | |
| 48 | 991153-0-00 | 1 | supporto | support | | | |
| 49 | 990592-0-11 | 1 | asta | rod | | | |
| 50 | 731107-0-00 | 3 | vite | screw | | | |
| • | 991225-4-00 | 1 | guida fettuccia completa | guide | | | |
| 51 | 722420-2-00 | 3 | vite | screw | | | |
| 52 | 703003-0-00 | 2 | rondella elastica | spring washer | | | |
| 53 | 991222-0-00 | 1 | asta di regolazione | adjustment rod | | | |
| 54 | 991221-0-00 | 1 | guida fettuccia | guide | | | |
| 55 | 991220-0-00 | 1 | asta centrale | rod | | | |
| 56 | 746003-0-00 | 3 | dado | nut | | | |
| 57 | 991223-0-00 | 1 | supporto | support | | | |
| <u>Tav. 3</u> | | | | | | | |
| 30 | 780202-0-20 | 1 | targhetta classe testa | head machine plate | | | |
| <u>Tav. 4</u> | | | | | | | |
| ★ | 206251-4-00 | 1 | coperchio super. completo | upper cover assembly | | | |
| 24/1 | 206343-4-00 | 1 | coperchio superiore | upper cover | | | |
| 27 | 202681-0-10 | 1 | molla | spring | | | |
| 32 | 206747-0-00 | 1 | perno | pin | | | |
| <u>Tav. 12</u> | | | | | | | |
| 3 | 204033-0-10 | 1 | crochet superiore | upper looper | | | |
| 4 | 202094-0-11 | 1 | crochet superiore | upper looper | | | |
| 5 | 202707-0-10 | 1 | placca d'ago | needle plate | | | |
| 6 | 202609-0-10 | 1 | griffino | feed dog | | | |
| 7 | 206608-0-10 | 1 | griffa sussidiaria | subsidiary feed dog | | | |
| 8 | 206605-0-10 | 1 | griffa principale | main feed dog | | | |
| <u>Particolari a richiesta</u> | | | | <u>Only on request</u> | | | |
| 5 | 202634-0-10 | 1 | placca d'ago | needle plate | | | |
| | 202635-0-10 | 1 | placca d'ago | needle plate | | | |
| | 202738-4-00 | 1 | placca d'ago | needle plate | | | |
| 7 | 202699-0-10 | 1 | griffa sussidiaria | subsidiary feed dog | | | |
| 8 | 202695-0-10 | 1 | griffa principale | main feed dog | | | |
| <u>Tav. 10</u> | | | | <u>Cancelled parts</u> | | | |
| 15 | 203774-0-10 | 1 | piastrina fermo salva ago | plate | | | |
| 16 | 741445-0-00 | 1 | vite | screw | | | |
| 17 | 203775-0-10 | 1 | squadretta fermo spingi asola | bracket | | | |



From the library of: Diamond Needle Corp

DESCRIPTION

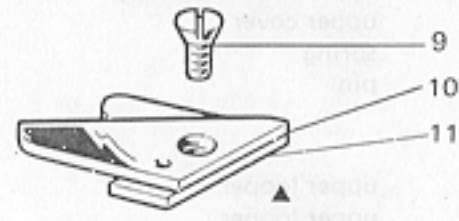
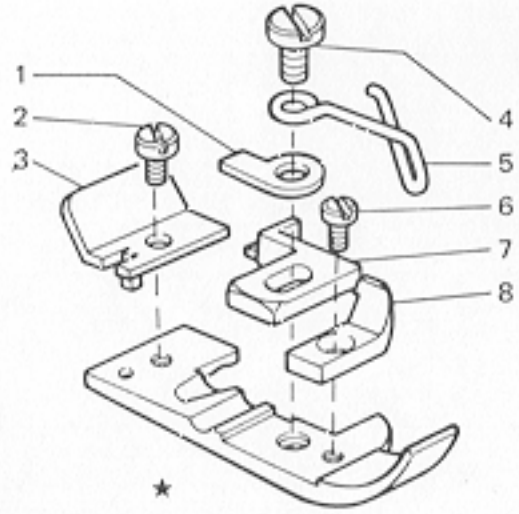
DESCRIPTION

BENENNUNG

DESCRIPTION

DESCRIZIONE

| Fig. N. | Part. N. | Part. N. | Part. N. | Part. N. | Part. N. |
|---------|----------|-------------|---------------------------|----------------------|----------|
| Fig. N. | Part. N. | Part. N. | Part. N. | Part. N. | Part. N. |
| 45 | 7 | 738054-2-00 | grano | grain | |
| 46 | 3 | 738024-2-00 | grano | grain | |
| 47 | 2 | 990503-0-11 | grano | grain | |
| 48 | 1 | 991183-0-00 | supporto | support | |
| 49 | 1 | 990592-0-11 | asta | rod | |
| 50 | 3 | 737107-0-00 | vite | screw | |
| 51 | 1 | 991258-4-00 | guida fettucchia completa | guide | |
| 52 | 3 | 737420-2-00 | vite | screw | |
| 53 | 2 | 703003-0-00 | tondella elastica | spring washer | |
| 54 | 1 | 991223-0-00 | asta di regolazione | adjustment rod | |
| 55 | 1 | 991221-0-00 | guida fettucchia | guide | |
| 56 | 2 | 991220-0-00 | astine | rod | |
| 57 | 3 | 946003-0-00 | dado | nut | |
| 58 | 1 | 991222-0-00 | supporto | support | |
| Tav. 3 | | | | | |
| 30 | 1 | 790202-0-20 | testa classe testa | head machine plate | |
| Tav. 4 | | | | | |
| 31 | 1 | 208243-4-00 | copertura superiore | upper cover assembly | |
| 32 | 1 | 208242-0-10 | copertura inferiore | lower cover assembly | |
| 33 | 1 | 208241-0-00 | perno | pin | |
| Tav. 12 | | | | | |
| 3 | 1 | 204022-0-10 | crochet superiore | upper hook | |
| 4 | 1 | 202004-0-11 | crochet inferiore | lower hook | |
| 5 | 1 | 202107-0-10 | pietra d'ago | needle plate | |
| 6 | 1 | 208009-0-10 | griffino | hook dog | |
| 7 | 1 | 208008-0-10 | griffe ausiliarie | auxiliary hook dog | |
| 8 | 1 | 208005-0-10 | griffe principali | main hook dog | |
| Tav. 13 | | | | | |
| 9 | 1 | 202001-0-10 | pietra d'ago | needle plate | |
| 10 | 1 | 202002-0-10 | pietra d'ago | needle plate | |
| 11 | 1 | 202338-4-00 | pietra d'ago | needle plate | |
| 12 | 1 | 202003-0-10 | griffe ausiliarie | auxiliary hook dog | |
| 13 | 1 | 202004-0-10 | griffe principali | main hook dog | |
| Tav. 14 | | | | | |
| 14 | 1 | 203374-0-10 | piastrina fermo solve ago | bracket | |
| 15 | 1 | 747448-0-00 | vite | screw | |
| 16 | 1 | 203375-0-10 | quadretto fermo solve ago | bracket | |



From the library of: Diamond Needle Corp

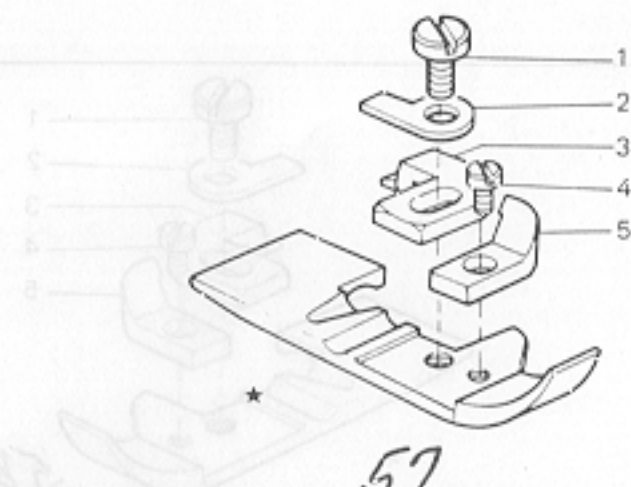
| Fig. N. Abb. N. | Part. N. Bestell N. Piece N. Pieza N. | Qt. Anzahl | DESCRIZIONE | DESCRIPTION | BENENNUNG | DESCRIPTION | DESCRIPCION |
|--------------------|--|---------------|--|---------------------------------|-----------|-------------|-------------|
| | | | <u>Particolari a richiesta</u> | <u>Only on request</u> | | | |
| ★ | 202173-3-10 | 1 | pieдино completo | presserfoot assembly | | | |
| 1 | 202201-0-10 | 1 | staffa | bracket | | | |
| 2 | 741413-0-00 | 1 | vite | screw | | | |
| 3 | 202192-0-10 | 1 | piastrina | plate | | | |
| 4 | 741675-2-00 | 1 | vite | screw | | | |
| 5 | 202193-0-10 | 1 | guida | guide | | | |
| 6 | 741431-0-00 | 1 | vite | screw | | | |
| 7 | 202195-0-10 | 1 | linguetta | tongue | | | |
| 8 | 202184-0-10 | 1 | blocchetto | block | | | |
| — | 202172-3-10 | 1 | pieдино completo uguale al 202173-3-10 con slitta ricoperta di Teflon con spessore di 0,5 mm. | presserfoot assembly | | | |
| ▲ | 202512-4-10 | 1 | dispositivo tagliafilo | cutting thread device | | | |
| 9 | 744510-0-00 | 1 | vite | screw | | | |
| 10 | 202511-0-10 | 1 | piastrina | plate | | | |
| 11 | 202510-0-10 | 1 | lamina | sheet | | | |
| | <u>Tav. 3</u> | | | | | | |
| 30 | 780207-0-20 | 1 | targhetta classe testa | head class plate | | | |
| | <u>Tav. 12</u> | | | | | | |
| 3 | 204033-0-10 | 1 | crochet superiore | upper looper | | | |
| 4 | 202094-0-11 | 1 | crochet inferiore | lower looper | | | |
| 5 | 203214-0-10 | 1 | placca d'ago | needle plate | | | |
| 8 | 203199-0-10 | 1 | griffa principale | main feed dog | | | |
| | | | <u>Particolari a richiesta</u> | <u>Only on request</u> | | | |
| A | 202300-0-10 | 1 | guida per non tagliare | guide | | | |
| 8 | 202767-4-10 | 1 | guida completa | guide assembly | | | |
| 3 | 204021-0-10 | 1 | crochet superiore | upper looper | | | |
| 4 | 202095-0-11 | 1 | crochet inferiore | lower looper | | | |
| G | 203216-4-10 | 1 | placca d'ago con piastrina | needle plate | | | |
| H | 203215-0-10 | 1 | placca d'ago | needle plate | | | |
| 5 | 203217-0-10 | 1 | placca d'ago | needle plate | | | |
| | 203220-0-10 | 1 | placca d'ago | needle plate | | | |
| | 203218-0-10 | 1 | placca d'ago | needle plate | | | |
| 7 | 202060-2-11 | 1 | griffa sussidiaria in Vulkollan | subsidiary feed dog (Vulkollan) | | | |
| 8 | 203201-2-11 | 1 | griffa principale in Vulkollan | main feed dog (Vulkollan) | | | |
| 9 | 202142-0-10 | 1 | coltello superiore | upper knife | | | |
| | 202143-0-10 | 1 | coltello super. dentato | upper knife | | | |
| | 207008-2-00 | 1 | coltello super. con placchetta | upper knife | | | |
| 10 | 202146-0-10 | 1 | coltello inferiore | lower knife | | | |
| | <u>Tav. 10</u> | | | | | | |
| | | | <u>Pezzi annullati</u> | <u>Cancelled parts</u> | | | |
| 15 | 203774-0-10 | 1 | piastrina fermo salva ago | plate | | | |
| 16 | 741445-0-00 | 1 | vite | screw | | | |
| 17 | 203775-0-10 | 1 | squadretta fermo spingi asola | bracket | | | |

From the library of: Diamond Needle Corp

55

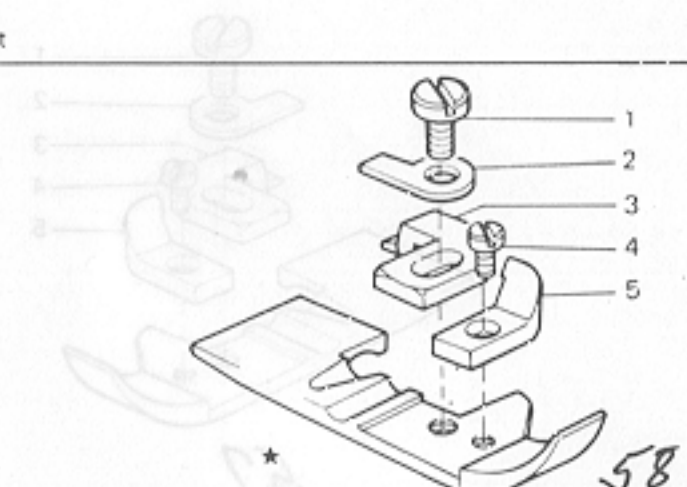
| Fig. N. Abb. N. | Part. N. Bestell N. Piece N. Pieza N. | Qt. Anzahl | DESCRIZIONE | DESCRIPTION | BENENNUNG | DESCRIPTION | DESCRIPCION |
|---|--|---------------|---------------------------------|---------------------------------|-----------|-------------|-------------|
| ★ | 203050-3-10 | 1 | piedino completo | presserfoot assembly | | | |
| 1 | 741665-0-00 | 1 | vite | screw | | | |
| 2 | 202201-0-10 | 1 | staffa | bracket | | | |
| 3 | 203052-0-10 | 1 | linguetta | tongue | | | |
| 4 | 741431-0-00 | 1 | vite | screw | | | |
| 5 | 202184-0-10 | 1 | blocchetto | block | | | |
| <u>Tav. 3</u> | | | | | | | |
| 30 | 780225-0-20 | 1 | targhetta classe testa | head class plate | | | |
| <u>Tav. 12</u> | | | | | | | |
| 3 | 204033-0-10 | 1 | crochet superiore | upper looper | | | |
| 4 | 202094-0-11 | 1 | crochet inferiore | lower looper | | | |
| 5 | 203047-0-20 | 1 | placca d'ago | needle plate | | | |
| 6 | 202609-0-10 | 1 | griffino | feed dog | | | |
| 7 | 203062-0-10 | 1 | griffa sussidiaria | subsidiary feed dog | | | |
| 8 | 203060-0-10 | 1 | griffa principale | main feed dog | | | |
| 9 | 207006-2-00 | 1 | coltello superiore | upper knife | | | |
| 10 | 207024-2-00 | 1 | coltello inferiore | lower knife | | | |
| <u>Particolari a richiesta</u> <u>Only on request</u> | | | | | | | |
| 5 | 203048-0-20 | 1 | placca d'ago | needle plate | | | |
| 7 | 203094-2-00 | 1 | griffa sussidiaria in Vulkollan | subsidiary feed dog (Vulkollan) | | | |
| 8 | 203095-2-00 | 1 | griffa principale in Vulkollan | main feed dog (Vulkollan) | | | |
| 9 | 203066-0-10 | 1 | coltello superiore | upper knife | | | |
| 10 | 203144-0-10 | 1 | coltello inferiore | lower knife | | | |
| <u>Pezzi annullati</u> <u>Cancelled parts</u> | | | | | | | |
| 15 | 203774-0-10 | 1 | piastrina fermo salva ago | plate | | | |
| 16 | 741445-0-00 | 1 | vite | screw | | | |
| 17 | 203775-0-10 | 1 | squadretta fermo spingi asola | bracket | | | |

From the library of: Diamond Needle Corp



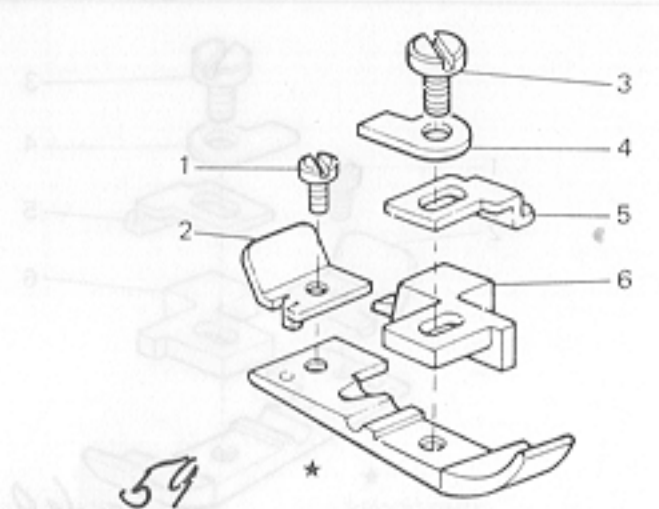
| Fig. N. Abb. N. | Part. N. Bestell N. Piece N. Pieza N. | Qt. Anzahl | DESCRIZIONE | DESCRIPTION | BENENNUNG | DESCRIPTION | DESCRIPCION |
|--------------------|--|---------------|---------------------------------|---------------------------------|-----------|-------------|-------------|
| ★ | 203050-3-10 | 1 | piedino | presserfoot | | | |
| 1 | 741665-0-00 | 1 | vite | screw | | | |
| 2 | 202201-0-10 | 1 | staffa | bracket | | | |
| 3 | 203052-0-10 | 1 | linguetta | tongue | | | |
| 4 | 741431-0-00 | 1 | vite | screw | | | |
| 5 | 202184-0-10 | 1 | blocchetto | block | | | |
| | | | <u>Tav. 3</u> | | | | |
| — | 206358-4-00 | 1 | sportello anter. compl. | cover | | | |
| 16 | 206933-2-00 | 1 | sportello scorrevole | cover | | | |
| 30 | 780200-0-20 | 1 | targhetta classe testa | head class plate | | | |
| | | | <u>Tav. 10</u> | | | | |
| 3 | 203065-0-10 | 1 | placchetta porta coltello sup. | plate | | | |
| 4 | 744553-0-00 | 1 | vite | screw | | | |
| 8 | 203087-0-10 | 1 | vite fissa colt. super. | screw | | | |
| | | | <u>Tav. 12</u> | | | | |
| 3 | 204033-0-10 | 1 | crochet superiore | upper looper | | | |
| 4 | 202094-0-11 | 1 | crochet inferiore | lower looper | | | |
| 5 | 203072-0-10 | 1 | piacca d'ago | needle plate | | | |
| 7 | 203062-0-10 | 1 | griffa sussidiaria | subsidiary feed dog | | | |
| 8 | 203060-0-10 | 1 | griffa principale | main feed dog | | | |
| 9 | 207006-2-00 | 1 | coltello superiore | upper knife | | | |
| 10 | 207017-2-00 | 1 | coltello inferiore | lower knife | | | |
| | | | <u>Particolari a richiesta</u> | | | | |
| | | | <u>Only on request</u> | | | | |
| 3 | 204021-0-10 | 1 | crochet superiore | upper looper | | | |
| 4 | 202095-0-11 | 1 | crochet inferiore | lower looper | | | |
| 7 | 203094-2-00 | 1 | griffa sussidiaria in Vulkollan | subsidiary feed dog (Vulkollan) | | | |
| 8 | 203095-2-00 | 1 | griffa principale in Vulkollan | main feed dog (Vulkollan) | | | |
| 9 | 203066-0-10 | 1 | coltello superiore | upper knife | | | |
| 10 | 203069-0-10 | 1 | coltello inferiore | lower knife | | | |
| | | | <u>Pezzi annullati</u> | | | | |
| | | | <u>Cancelled parts</u> | | | | |
| 15 | 203774-0-10 | 1 | piastrina fermo salva ago | plate | | | |
| 16 | 741445-0-00 | 1 | vite | screw | | | |
| 17 | 203775-0-10 | 1 | squadretta fermo spingi asola | bracket | | | |

From the library of: Diamond Needle Corp



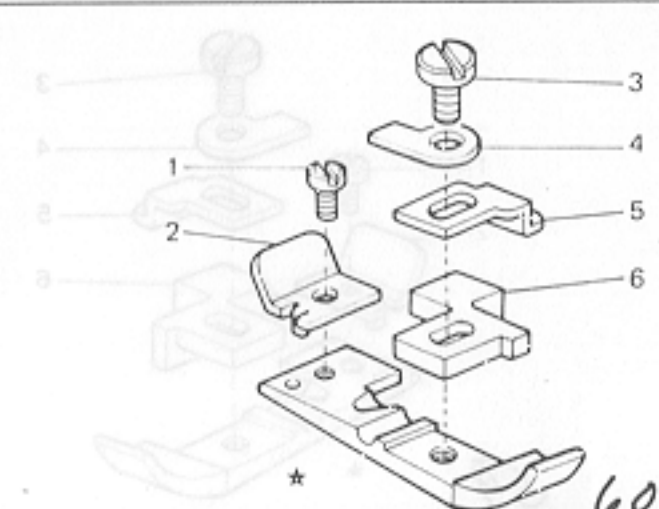
| Fig. N. Abb. N. | Part. N. Bestell N. Pieze N. Pieza N. | Qt. Anzahl | DESCRIZIONE | DESCRIPTION | BENENNUNG | DESCRIPTION | DESCRIPCION |
|---|--|---------------|---------------------------------|---------------------------------|-----------|-------------|-------------|
| ★ | 203803-3-10 | 1 | pedino completo | presserfoot assembly | | | |
| 1 | 741413-0-00 | 1 | vite | screw | | | |
| 2 | 202795-0-10 | 1 | piastrina | plate | | | |
| 3 | 741665-0-00 | 1 | vite | screw | | | |
| 4 | 202201-0-10 | 1 | staffa | bracket | | | |
| 5 | 203079-2-10 | 1 | piastrina | plate | | | |
| 6 | 203804-0-10 | 1 | linguetta | tongue | | | |
| <u>Tav. 3</u> | | | | | | | |
| — | 206358-4-00 | 1 | sportello anteriore compl. | front cover | | | |
| 16 | 206933-2-00 | 1 | sportello scorrevole | front cover | | | |
| 30 | 780200-0-20 | 1 | targhetta classe testa | head class plate | | | |
| <u>Tav. 10</u> | | | | | | | |
| 3 | 203065-0-10 | 1 | placchetta porta colt. super. | plate | | | |
| 4 | 744553-0-00 | 1 | vite | screw | | | |
| 8 | 203087-0-10 | 1 | vite fissa colt. super. | screw | | | |
| <u>Pezzi annullati</u> <u>Cancelled parts</u> | | | | | | | |
| 15 | 203774-0-10 | 1 | piastrina fermo salva ago | plate | | | |
| 16 | 741445-0-00 | 1 | vite | screw | | | |
| 17 | 203775-0-10 | 1 | squadretta fermo spingi asola | bracket | | | |
| <u>Tav. 12</u> | | | | | | | |
| 3 | 204033-0-10 | 1 | crochet superiore | upper looper | | | |
| 4 | 202094-0-11 | 1 | crochet inferiore | lower looper | | | |
| 5 | 203072-0-10 | 1 | placca d'ago | needle plate | | | |
| 7 | 203062-0-10 | 1 | griffa sussidiaria | subsidiary feed dog | | | |
| 8 | 203060-0-10 | 1 | griffa principale | main feed dog | | | |
| 9 | 203066-0-10 | 1 | coltello super. | upper knife | | | |
| 10 | 203069-0-10 | 1 | coltello infer. | lower knife | | | |
| <u>Particolari a richiesta</u> <u>Only on request</u> | | | | | | | |
| 3 | 204021-0-10 | 1 | crochet superiore | upper looper | | | |
| 4 | 202095-0-11 | 1 | crochet inferiore | lower looper | | | |
| 7 | 203094-2-00 | 1 | griffa sussidiaria in Vulkollan | subsidiary feed dog (Vulkollan) | | | |
| 8 | 203095-2-00 | 1 | griffa principale in Vulkollan | main feed dog (Vulkollan) | | | |

From the library of: Diamond Needle Corp

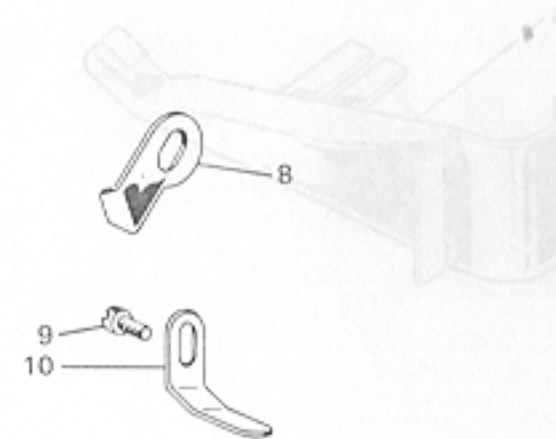
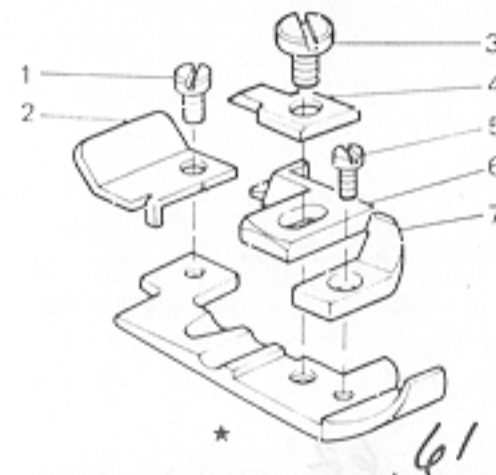


| Fig. N. Abb. N. | Part. N. Bestell N. Piece N. Pieza N. | Qt. Anzahl | DESCRIZIONE | DESCRIPTION | BENENNUNG | DESCRIPTION | DESCRIPCION |
|--------------------------------|--|---------------|----------------------------------|------------------------|-----------|-------------|-------------|
| ★ | 203815-3-10 | 1 | pedino completo | presserfoot assembly | | | |
| 1 | 741413-0-00 | 1 | vite | screw | | | |
| 2 | 202795-0-10 | 1 | piastrina | plate | | | |
| 3 | 741665-0-00 | 1 | vite | screw | | | |
| 4 | 202201-0-10 | 1 | staffa | bracket | | | |
| 5 | 203816-0-10 | 1 | piastrina | plate | | | |
| 6 | 203817-0-10 | 1 | linguetta | tongue | | | |
| <u>Tav. 3</u> | | | | | | | |
| — | 206361-4-00 | 1 | sportello anteriore compl. | front cover | | | |
| 16 | 206933-2-00 | 1 | sportello scorrevole | front cover | | | |
| 30 | 780200-0-20 | 1 | targhetta classe testa | head class plate | | | |
| <u>Tav. 10</u> | | | | | | | |
| 3 | 203065-0-10 | 1 | placchetta porta coltello super. | plate | | | |
| 4 | 744553-0-00 | 1 | vite | screw | | | |
| 8 | 203087-0-10 | 1 | vite fissa coltello super. | screw | | | |
| 24 | 203810-0-10 | 1 | bussola guida supp. colt. infer. | bush | | | |
| <u>Tav. 12</u> | | | | | | | |
| 3 | 204033-0-10 | 1 | crochet superiore | upper looper | | | |
| 4 | 202094-0-11 | 1 | crochet inferiore | lower looper | | | |
| 5 | 203813-0-10 | 1 | placca d'ago | needle plate | | | |
| 7 | 203062-0-10 | 1 | griffa sussidiaria | subsidiary feed dog | | | |
| 8 | 203060-0-10 | 1 | griffa principale | main feed dog | | | |
| 9 | 203812-0-10 | 1 | coltello superiore | upper knife | | | |
| 10 | 203069-0-10 | 1 | coltello inferiore | lower knife | | | |
| <u>Particolari a richiesta</u> | | | | <u>Only on request</u> | | | |
| 3 | 204021-0-10 | 1 | crochet superiore | upper looper | | | |
| 4 | 202095-0-11 | 1 | crochet inferiore | lower looper | | | |

From the library of: Diamond Needle Corp

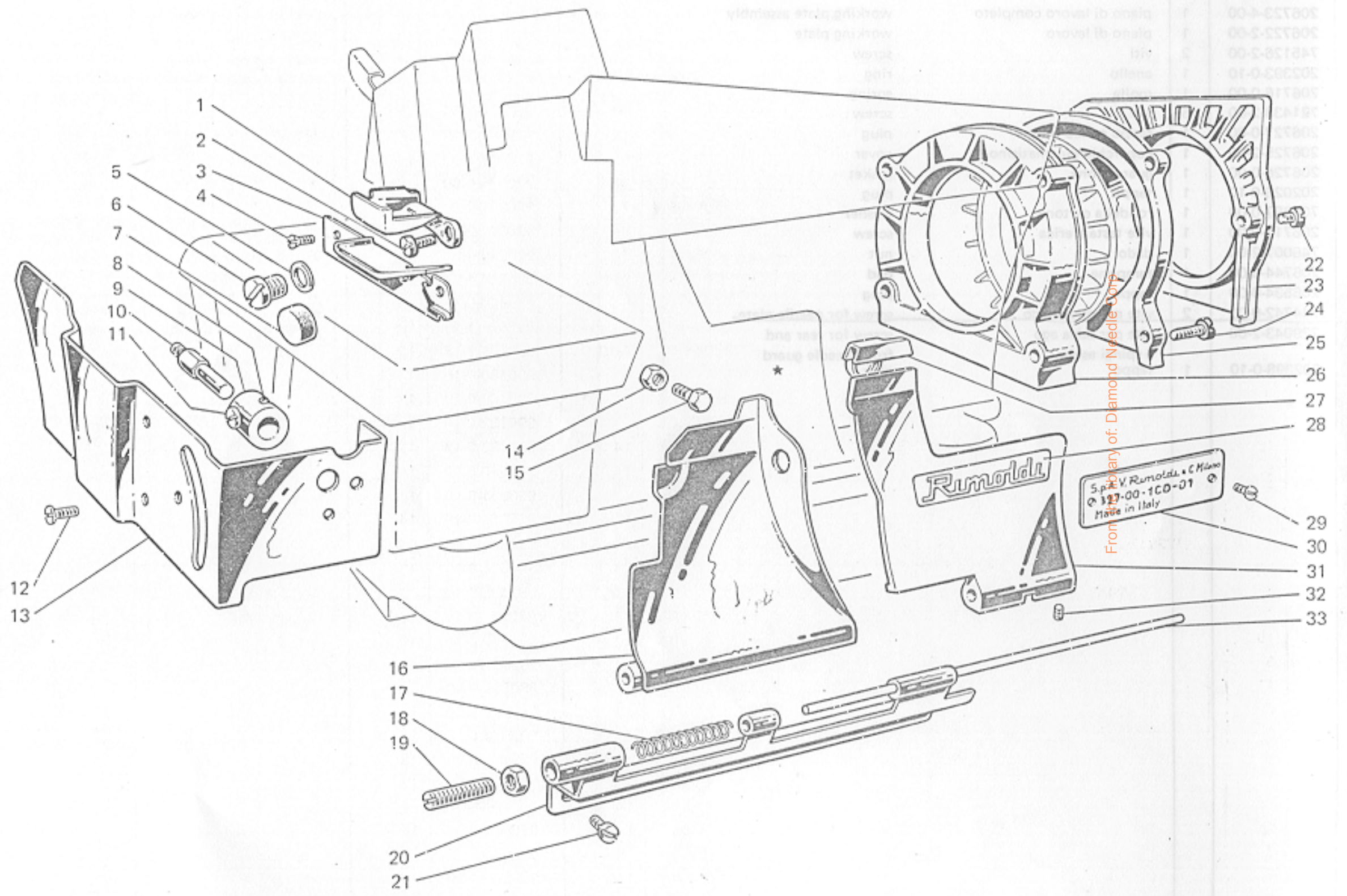


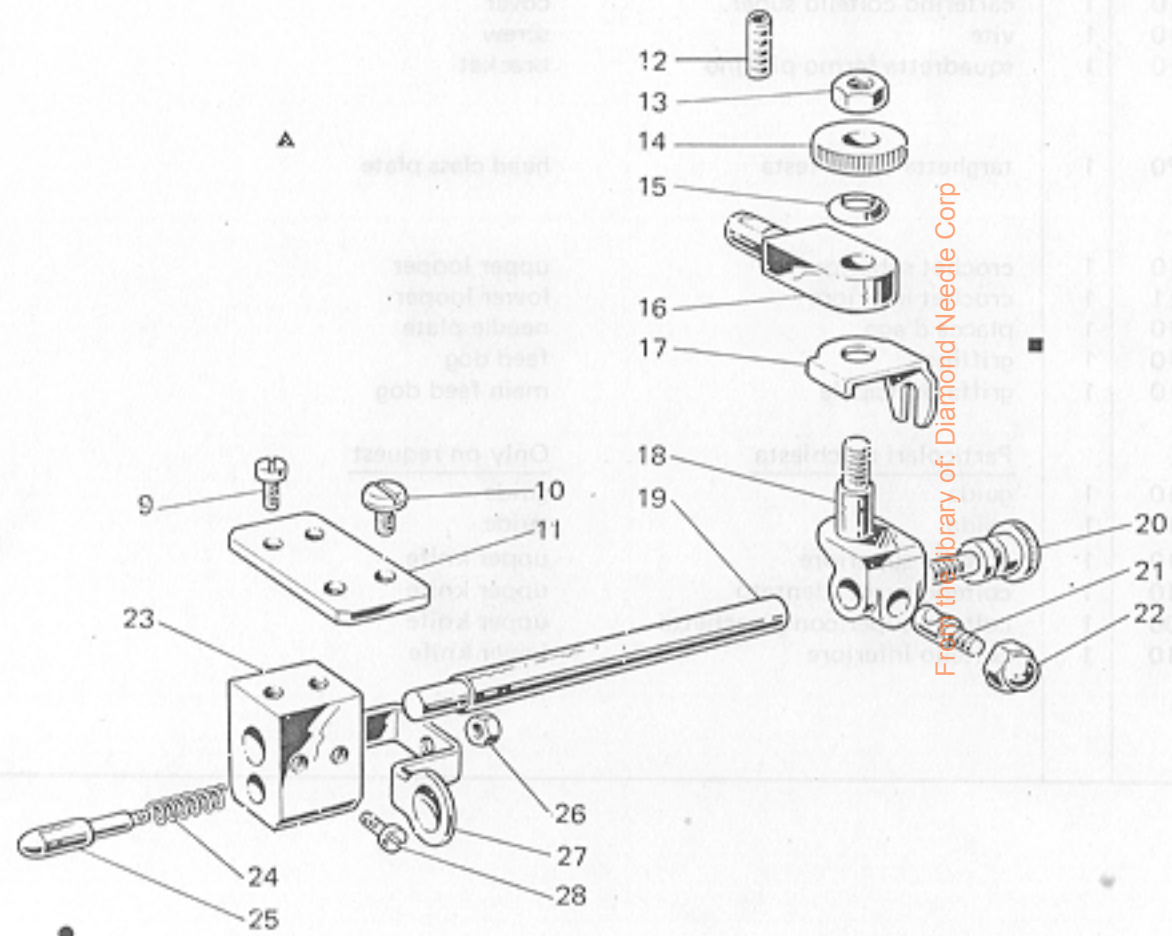
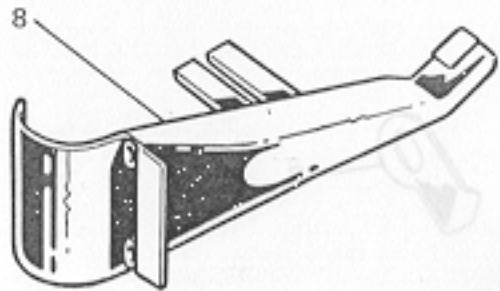
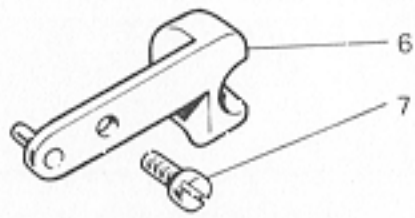
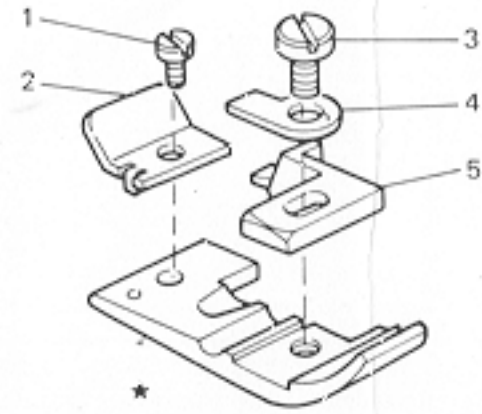
| Fig. N. Abb. N. | Part. N. Bestell N. Piece N. Pieza N. | Qt. Anzahl | DESCRIZIONE | DESCRIPTION | BENENNUNG | DESCRIPTION! | DESCRIPCION |
|--------------------|--|---------------|--------------------------------|------------------------|-----------|--------------|-------------|
| ★ | 203162-3-10 | 1 | pieдино completo | presserfoot assembly | | | |
| 1 | 741413-0-00 | 1 | vite | screw | | | |
| 2 | 203025-0-10 | 1 | piastrina | plate | | | |
| 3 | 741675-2-00 | 1 | vite | screw | | | |
| 4 | 203772-0-10 | 1 | staffa | bracket | | | |
| 5 | 741431-0-00 | 1 | vite | screw | | | |
| 6 | 202195-0-10 | 1 | linguetta | tongue | | | |
| 7 | 202184-0-10 | 1 | blocchetto | block | | | |
| 8 | 200662-0-10 | 1 | carterino coltello super. | cover | | | |
| 9 | 203187-0-10 | 1 | vite | screw | | | |
| 10 | 202658-0-10 | 1 | squadretta fermo piedino | bracket | | | |
| | <u>Tav. 3</u> | | | | | | |
| 30 | 780200-0-20 | 1 | targhetta classe testa | head class plate | | | |
| | <u>Tav. 12</u> | | | | | | |
| 3 | 203044-0-10 | 1 | crochet superiore | upper looper | | | |
| 4 | 202094-0-11 | 1 | crochet inferiore | lower looper | | | |
| 5 | 203219-0-10 | 1 | placca d'ago | needle plate | | | |
| 6 | 202609-0-10 | 1 | griffino | feed dog | | | |
| 8 | 203199-0-10 | 1 | griffa principale | main feed dog | | | |
| | <u>Particolari a richiesta</u> | | | <u>Only on request</u> | | | |
| A | 202300-0-10 | 1 | guida | guide | | | |
| B | 202767-4-10 | 1 | guida | guide | | | |
| 9 | 202142-0-10 | 1 | coltello superiore | upper knife | | | |
| | 202143-0-10 | 1 | coltello super. dentato | upper knife | | | |
| | 207008-2-00 | 1 | coltello super. con placchetta | upper knife | | | |
| 10 | 202146-0-10 | 1 | coltello inferiore | lower knife | | | |



From the library of: Diamond Needle Corp

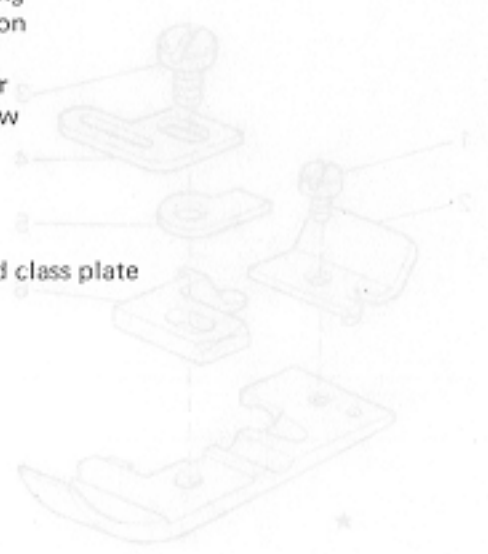
| DESCRIZIONE | DESCRIPTION | BEZUEIMUNG | DESCRIPTION | DESCRIZIONE | Part. No. | Part. No. | Part. No. |
|-------------|-------------|------------|-------------|-------------|-----------|-----------|-----------|
|-------------|-------------|------------|-------------|-------------|-----------|-----------|-----------|





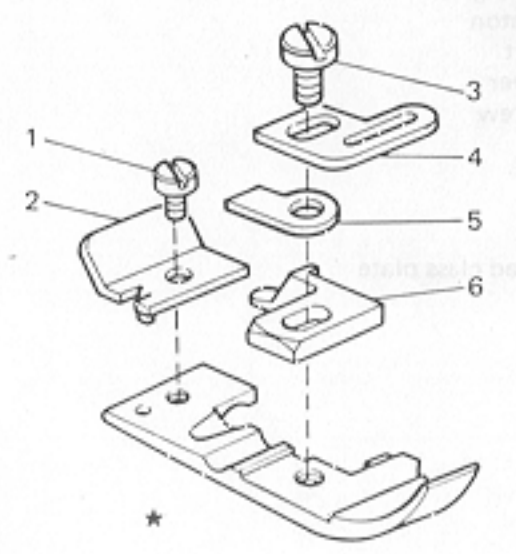
From the library of: Diamond Needle Corp

| Fig. N. Abb. N. | Part. N. Bestell N. Piece N. Pieza N. | Qt. Anzahl | DESCRIZIONE | DESCRIPTION | BENENNUNG | DESCRIPTION | DESCRIPCION |
|--------------------|--|---------------|-------------------------|----------------------|-----------|-------------|-------------|
| ★ | 203157-3-10 | 1 | pedino completo | presserfoot assembly | | | |
| 1 | 741413-0-00 | 1 | vite | screw | | | |
| 2 | 202192-0-10 | 1 | piastringa | plate | | | |
| 3 | 741665-0-00 | 1 | vite | screw | | | |
| 4 | 202201-0-10 | 1 | staffa | bracket | | | |
| 5 | 202195-0-10 | 1 | linguetta | tongue | | | |
| 6 | 203193-2-00 | 1 | squadretta di fermo | bracket | | | |
| 7 | 721443-2-00 | 1 | vite | screw | | | |
| 8 | 202311-2-10 | 1 | guida del materiale | guide | | | |
| ▲ | 202301-4-10 | 1 | supporto porta guida | support | | | |
| 9 | 203589-0-10 | 2 | vite | screw | | | |
| 10 | 721434-2-00 | 2 | vite | screw | | | |
| 11 | 202303-0-10 | 1 | piastrina | plate | | | |
| ■ | 203223-4-10 | 1 | supporto | support | | | |
| 12 | 729013-2-00 | 1 | vite | screw | | | |
| 13 | 203705-0-10 | 1 | dado | nut | | | |
| 14 | 203716-0-10 | 1 | pomolo | knob | | | |
| 15 | 702408-0-00 | 1 | molla a tazza | spring | | | |
| 16 | 203713-0-10 | 1 | sostegno | support | | | |
| 17 | 203704-0-10 | 1 | forcella | fork | | | |
| 18 | 203710-0-10 | 1 | supporto girevole | support | | | |
| 19 | 203227-0-10 | 1 | asta | pin | | | |
| 20 | 203715-0-10 | 1 | vite | screw | | | |
| 21 | 203714-0-10 | 1 | nottolino | pawl | | | |
| 22 | 203212-0-10 | 1 | dado | nut | | | |
| ● | 203239-4-10 | 1 | blocchetto | block | | | |
| 23 | 203238-0-10 | 1 | corpo del pieghettatore | folding body | | | |
| 24 | 203198-0-10 | 1 | molla | spring | | | |
| 25 | 203253-0-10 | 1 | pistoncino | piston | | | |
| 26 | 746001-2-00 | 1 | dado | nut | | | |
| 27 | 203221-0-10 | 1 | levetta | lever | | | |
| 28 | 741642-2-00 | 2 | vite | screw | | | |
| 30 | Tav. 3 780200-0-20 | 1 | targhetta classe testa | head class plate | | | |



From the library of: Diamond Needle Corp

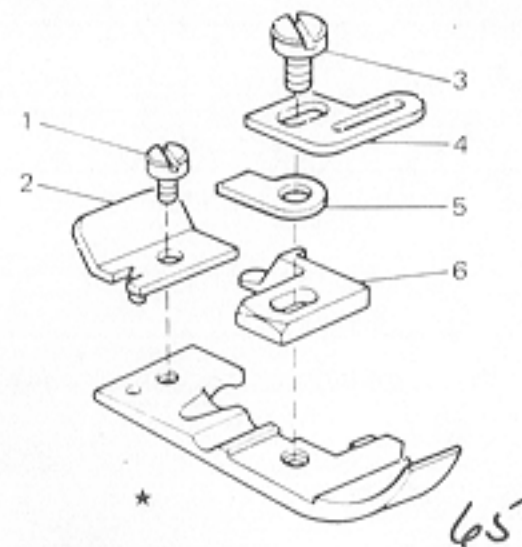
| Fig. N. Abb. N. | Part. N. Bestell N. Pieze N. | Qt. Anzahl | DESCRIZIONE | DESCRIPTION | BENENNUNG | DESCRIPTION | DESCRIPCION |
|--------------------|------------------------------------|---------------|------------------------|----------------------|-----------|-------------|-------------|
| ★ | 202178-3-10 | 1 | pedino completo | presserfoot assembly | | | |
| 1 | 741413-0-00 | 1 | vite | screw | | | |
| 2 | 202192-0-10 | 1 | piastrina | plate | | | |
| 3 | 741675-2-00 | 1 | vite | screw | | | |
| 4 | 202088-0-10 | 1 | piastrina | plate | | | |
| 5 | 202201-0-10 | 1 | staffa | bracket | | | |
| 6 | 202195-0-10 | 1 | linguetta | tongue | | | |
| 30 | <u>Tav. 3</u> 780270-0-20 | 1 | targhetta classe testa | head class plate | | | |



From the library of: Diamond Needle Corp

| Fig. N. Abb. N. | Part. N. Bestell N. Piece N. Pieza N. | Qt. Anzahl | DESCRIZIONE | DESCRIPTION | BENENNUNG | DESCRIPTION | DESCRIPCION |
|--------------------------------|--|---------------|--------------------------------|------------------------|-----------|-------------|-------------|
| ★ | 202178-3-10 | 1 | piedino completo | presserfoot assembly | | | |
| 1 | 741413-0-00 | 1 | vite | screw | | | |
| 2 | 202192-0-10 | 1 | piastrina | plate | | | |
| 3 | 741675-2-00 | 1 | vite | screw | | | |
| 4 | 202088-0-10 | 1 | piastrina | plate | | | |
| 5 | 202201-0-10 | 1 | staffa | bracket | | | |
| 6 | 202195-0-10 | 1 | linguetta | tongue | | | |
| <u>Tav. 3</u> | | | | | | | |
| 30 | 780260-0-20 | 1 | targhetta classe testa | head class plate | | | |
| <u>Tav. 12</u> | | | | | | | |
| 3 | 204033-0-10 | 1 | crochet superiore | upper looper | | | |
| 4 | 202094-0-11 | 1 | crochet inferiore | lower looper | | | |
| 5 | 203214-0-10 | 1 | placca ago | needle plate | | | |
| 8 | 203199-0-10 | 1 | griffa principale | main feed dog | | | |
| <u>Particolari a richiesta</u> | | | | <u>Only on request</u> | | | |
| 9 | 202142-0-10 | 1 | coltello superiore | upper knife | | | |
| | 202143-0-10 | 1 | coltello super. dentato | upper knife | | | |
| | 207008-2-00 | 1 | coltello super. con placchetta | upper knife | | | |
| 10 | 202146-0-10 | 1 | coltello inferiore | lower knife | | | |
| <u>Tav. 10</u> | | | | | | | |
| <u>Pezzi annullati</u> | | | | <u>Cancelled parts</u> | | | |
| 15 | 203774-0-10 | 1 | piastrina fermo salva ago | plate | | | |
| 16 | 741445-0-00 | 1 | vite | screw | | | |
| 17 | 203775-0-10 | 1 | piastrina fermo spingi asola | plate | | | |

From the library of: Diamond Needle Corp



| Fig. N. Abb. N. | Part. N. Bestell N. Piese N. Pieza N. | Qt. Anzahl | DESCRIZIONE | DESCRIPTION | BENENNUNG | DESCRIPTION | DESCRIPCION |
|--------------------|--|---------------|--------------------------------|------------------------|-----------|-------------|-------------|
| 30 | Tav. 3 780200-0-20 | 1 | targhetta classe testa | head machine plate | | | |
| ★ | Tav. 4 206265-4-00 | 1 | coperchio super. | upper cover assembly | | | |
| 24/1 | 206343-4-00 | 1 | tensione completa | tensione assembly | | | |
| 27 | 202681-0-10 | 1 | molla | spring | | | |
| 32 | 206747-0-00 | 1 | perno | pin | | | |
| | Tav. 10 | | | | | | |
| | | | <u>Pezzi annullati</u> | <u>Cancelled parts</u> | | | |
| 15 | 203774-0-10 | 1 | piastrina fermo salva ago | plate | | | |
| 16 | 741445-0-00 | 1 | vite | screw | | | |
| 17 | 203775-0-10 | 1 | squadretta fermo spingi asola | bracket | | | |
| | Tav. 12 | | | | | | |
| 3 | 202092-0-10 | 1 | crochet super. cieco | upper blind looper | | | |
| | 204033-0-10 | 1 | crochet super. | upper looper | | | |
| 4 | 202094-0-11 | 1 | crochet inferiore | lower looper | | | |
| 5 | 202783-0-10 | 1 | placca ago | needle plate | | | |
| 7 | 202782-0-10 | 1 | griffa sussidiaria | subsidiary feed dog | | | |
| 8 | 202780-0-10 | 1 | griffa principale | main feed dog | | | |
| | | | <u>Particolari a richiesta</u> | <u>Only on request</u> | | | |
| 3 | 204021-0-10 | 1 | crochet super. | upper looper | | | |
| 4 | 202095-0-11 | 1 | crochet infer. | lower looper | | | |
| 5 | 202876-0-10 | 1 | placca ago | needle plate | | | |
| | 202877-0-10 | 1 | placca ago | needle plate | | | |
| 9 | 202142-0-10 | 1 | coltello superiore | upper knife | | | |
| | 202143-0-10 | 1 | coltello super. dentato | upper knife | | | |
| | 207008-2-00 | 1 | coltello super. con placchetta | upper knife | | | |
| 10 | 202146-0-10 | 1 | coltello inferiore | lower knife | | | |

From the library of: Diamond Needle Corp

| Fig. N. Abb. N. | Part. N. Bestell N. Piece N. Pieza N. | Qt. Anzahl | DESCRIZIONE | DESCRIPTION | BENENNUNG | DESCRIPTION | DESCRIPCION |
|--------------------|--|---------------|--------------------------------|------------------------|-----------|-------------|-------------|
| ★ | 202786-3-10 | 1 | pedino completo | presserfoot assembly | | | |
| 1 | 741413-0-00 | 1 | vite | screw | | | |
| 2 | 202795-0-10 | 1 | piastrina | plate | | | |
| 3 | 741665-0-00 | 1 | vite | screw | | | |
| 4 | 202201-0-10 | 1 | staffa | bracket | | | |
| 5 | 741431-0-00 | 1 | vite | screw | | | |
| 6 | 202797-0-10 | 1 | linguetta | tongue | | | |
| 7 | 202789-0-10 | 1 | blocchetto | block | | | |
| ▲ | 202851-4-11 | 1 | guida completa | guide assembly | | | |
| 8 | 202805-0-10 | 1 | vite | screw | | | |
| 9 | 202862-2-10 | 1 | supporto | support | | | |
| 10 | 721443-2-00 | 1 | vite | screw | | | |
| 11 | 202869-0-10 | 1 | pomolo | knob | | | |
| 12 | 202974-0-10 | 2 | spina | pin | | | |
| 13 | 202871-0-10 | 1 | vite | screw | | | |
| ■ | 202809-4-10 | 1 | lamina con molla | sheet | | | |
| 14 | 202808-0-10 | 1 | lamina | sheet | | | |
| 15 | 202860-0-10 | 1 | molla | spring | | | |
| 16 | 202858-0-10 | 1 | guida scorrevole | guide | | | |
| ● | 202840-4-11 | 1 | corpo guida | guide body | | | |
| 17 | 202843-0-11 | 1 | cerniera | hinge | | | |
| 18 | 202847-0-10 | 1 | piastrina | plate | | | |
| 19 | 202839-0-11 | 1 | corpo della guida | body | | | |
| 20 | 744512-4-00 | 2 | vite | screw | | | |
| 21 | 202282-0-10 | 1 | passafilo | thread guide | | | |
| 22 | 745002-0-00 | 1 | vite | screw | | | |
| | | | <u>Particolari a richiesta</u> | <u>Only on request</u> | | | |
| ◆ | 202804-4-10 | 1 | dispositivo tagliafilo | cutting thread device | | | |
| 23 | 744510-0-00 | 1 | vite | screw | | | |
| 24 | 202511-0-10 | 1 | piastrina | plate | | | |
| 25 | 202883-0-10 | 1 | lamina | sheet | | | |

From the library of: Diamond Needle Corp

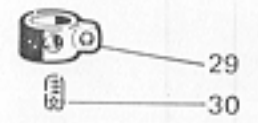
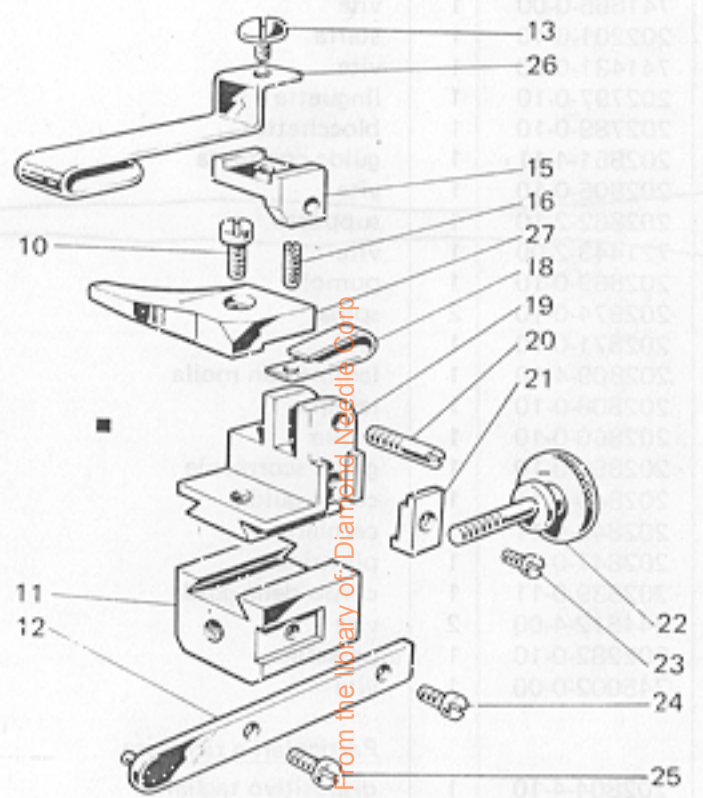
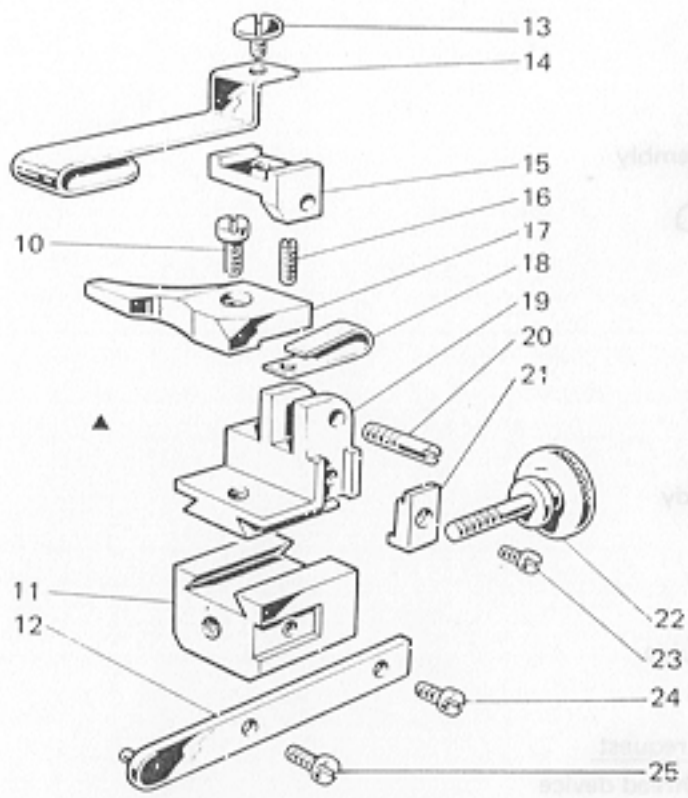
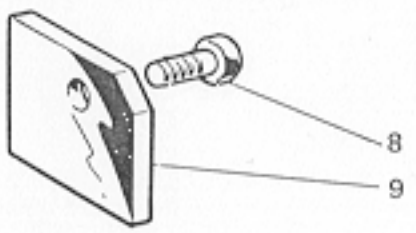
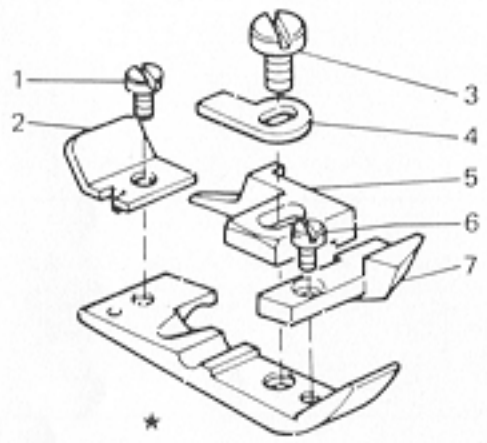
DESCRIPTION

DESCRIPTION

BENENNUNG

DESCRIPTION

DESCRIZIONE



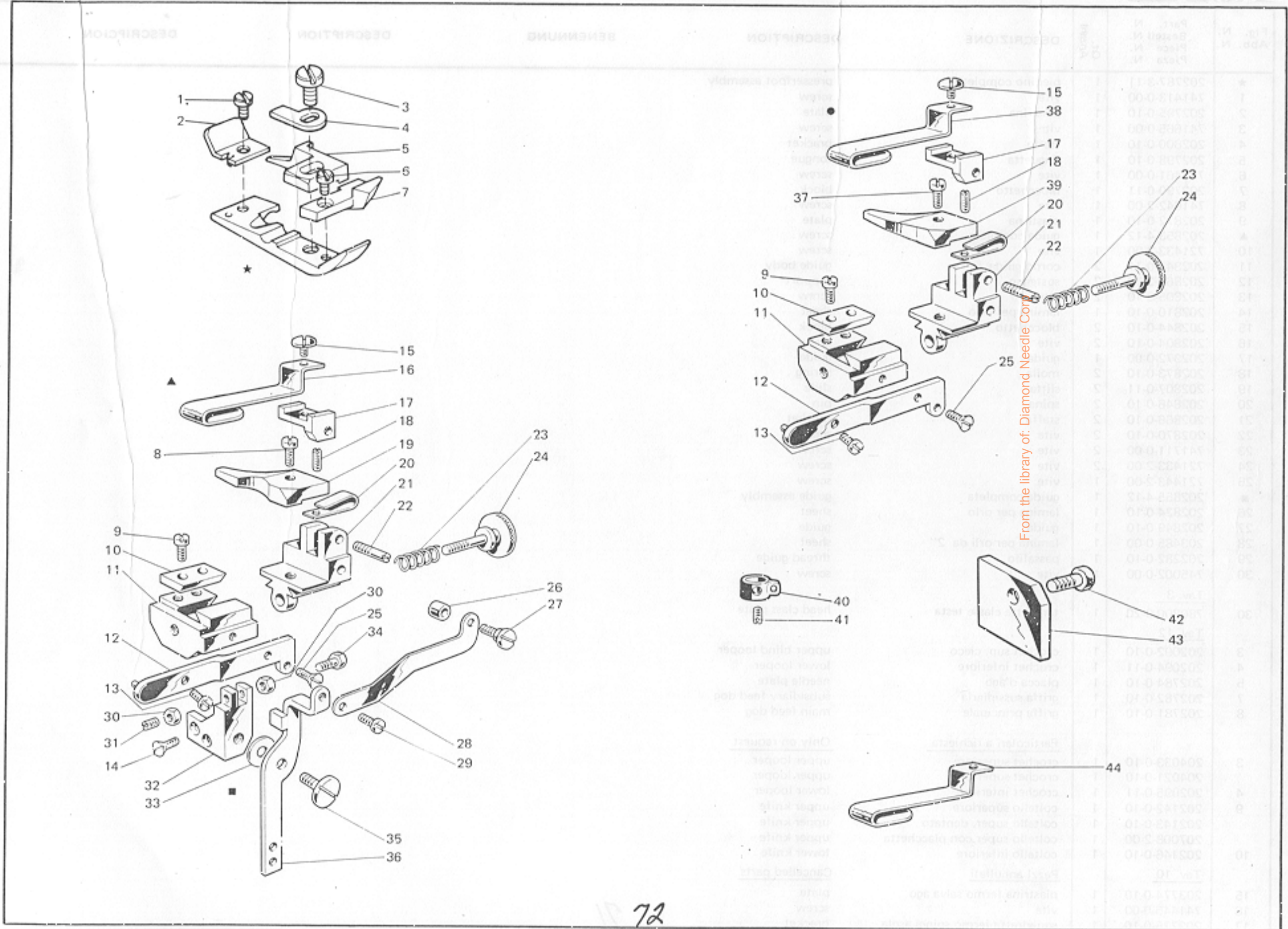
pressfoot assembly

pedino completo

From the library of Diamond Needle Corp

| Fig. N. Abb. N. | Part. N. Bestell N. Piece N. Pieza N. | Qt. Anzahl | DESCRIZIONE | DESCRIPTION | BENENNUNG | DESCRIPTION | DESCRIPCION |
|--------------------|--|---------------|--------------------------------|------------------------|-----------|-------------|-------------|
| ★ | 202787-3-11 | 1 | piedino completo | presserfoot assembly | | | |
| 1 | 741413-0-00 | 1 | vite | screw | | | |
| 2 | 202795-0-10 | 1 | piastrina | plate | | | |
| 3 | 741665-0-00 | 1 | vite | screw | | | |
| 4 | 202800-0-10 | 1 | staffa | bracket | | | |
| 5 | 202798-0-10 | 1 | linguetta | tongue | | | |
| 6 | 741461-0-00 | 1 | vite | screw | | | |
| 7 | 202790-0-11 | 1 | blocchetto | block | | | |
| 8 | 741642-2-00 | 1 | vite | screw | | | |
| 9 | 202872-0-10 | 1 | piastrina | plate | | | |
| ▲ | 202853-4-12 | 1 | guida completa | screw | | | |
| 10 | 721433-2-00 | 1 | vite | screw | | | |
| 11 | 202841-0-11 | 2 | corpo guida | guide body | | | |
| 12 | 202864-2-10 | 2 | sostegno | support | | | |
| 13 | 202805-0-10 | 2 | vite | screw | | | |
| 14 | 202810-0-10 | 1 | lamina per orlo | sheet | | | |
| 15 | 202844-0-10 | 2 | blocchetto | block | | | |
| 16 | 202804-0-10 | 2 | vite | screw | | | |
| 17 | 202972-0-00 | 1 | guida | guide | | | |
| 18 | 202873-0-10 | 2 | molla | spring | | | |
| 19 | 202807-0-11 | 2 | slitta | slide | | | |
| 20 | 202846-0-10 | 2 | spina | pin | | | |
| 21 | 202866-0-10 | 2 | staffa | bracket | | | |
| 22 | 202870-0-10 | 2 | vite | screw | | | |
| 23 | 741711-0-00 | 2 | vite | screw | | | |
| 24 | 721433-2-00 | 2 | vite | screw | | | |
| 25 | 721443-2-00 | 1 | vite | screw | | | |
| ■ | 202855-4-12 | 1 | guida completa | guide assembly | | | |
| 26 | 202824-0-10 | 1 | lamina per orlo | sheet | | | |
| 27 | 202849-0-10 | 1 | guida | guide | | | |
| 28 | 203485-0-00 | 1 | lamina per orli da 2" | sheet | | | |
| 29 | 202282-0-10 | 1 | passafilo | thread guide | | | |
| 30 | 745002-0-00 | 1 | vite | screw | | | |
| | <u>Tav. 3</u> | | | | | | |
| 30 | 780200-0-20 | 1 | targhetta classe testa | head class plate | | | |
| | <u>Tav. 12</u> | | | | | | |
| 3 | 202092-0-10 | 1 | crochet sup. cieco | upper blind looper | | | |
| 4 | 202094-0-11 | 1 | crochet inferiore | lower looper | | | |
| 5 | 202784-0-10 | 1 | placca d'ago | needle plate | | | |
| 7 | 202782-0-10 | 1 | griffa sussidiaria | subsidiary feed dog | | | |
| 8 | 202781-0-10 | 1 | griffa principale | main feed dog | | | |
| | | | <u>Particolari a richiesta</u> | <u>Only on request</u> | | | |
| 3 | 204033-0-10 | 1 | crochet superiore | upper looper | | | |
| | 204021-0-10 | 1 | crochet superiore | upper looper | | | |
| 4 | 202095-0-11 | 1 | crochet inferiore | lower looper | | | |
| 9 | 202142-0-10 | 1 | coltello superiore | upper knife | | | |
| | 202143-0-10 | 1 | coltello super. dentato | upper knife | | | |
| | 207008-2-00 | 1 | coltello super.con placchetta | upper knife | | | |
| 10 | 202146-0-10 | 1 | coltello inferiore | lower knife | | | |
| | <u>Tav. 10</u> | | <u>Pezzi annullati</u> | <u>Cancelled parts</u> | | | |
| 15 | 203774-0-10 | 1 | piastrina fermo salva ago | plate | | | |
| 16 | 741445-0-00 | 1 | vite | screw | | | |
| 17 | 203775-0-10 | 1 | squadretta fermo spingi asola | bracket | | | |

From the library of: Diamond Needle Corp



From the library of: Diamond Needle Corp.

| Fig. N. Abb. N. | Part. N. Bestell N. Piece N. Pieza N. | Qt. Anzahl | DESCRIZIONE | DESCRIPTION | BENENNUNG | DESCRIPTION | DESCRIPCION |
|--------------------|--|---------------|--------------------|----------------------|-----------|-------------|-------------|
| ★ | 202787-3-11 | 1 | piedino completo | presserfoot assembly | | | |
| 1 | 741413-0-00 | 1 | vite | screw | | | |
| 2 | 202795-0-10 | 1 | piastrina | plate | | | |
| 3 | 741665-0-00 | 1 | vite | screw | | | |
| 4 | 202800-0-10 | 1 | staffa | bracket | | | |
| 5 | 202798-0-10 | 1 | linguetta | tongue | | | |
| 6 | 741461-0-00 | 1 | vite | screw | | | |
| 7 | 202790-0-11 | 1 | blocchetto | block | | | |
| ▲ | 206787-4-10 | 1 | guida completa | guide assembly | | | |
| 8 | 721433-2-00 | 1 | vite | screw | | | |
| 9 | 741415-0-00 | 4 | vite | screw | | | |
| 10 | 202904-0-10 | 2 | guida | guide | | | |
| 11 | 202891-0-11 | 2 | corpo | body | | | |
| 12 | 206784-2-00 | 2 | sostegno | support | | | |
| 13 | 721443-2-00 | 1 | vite | screw | | | |
| 14 | 724056-0-00 | 2 | vite | screw | | | |
| 15 | 202805-0-10 | 2 | vite | screw | | | |
| 16 | 202810-0-10 | 1 | lamina per orli | plate | | | |
| 17 | 202844-0-10 | 2 | blocchetto | block | | | |
| 18 | 202804-0-10 | 2 | vite di fermo | screw | | | |
| 19 | 204972-0-00 | 1 | guida | guide | | | |
| 20 | 202873-0-10 | 2 | molla | spring | | | |
| 21 | 202887-0-11 | 2 | slitta | slide | | | |
| 22 | 202846-0-10 | 2 | spina filettata | pin | | | |
| 23 | 202905-0-10 | 2 | molla | spring | | | |
| 24 | 202908-0-10 | 2 | vite | screw | | | |
| 25 | 744535-4-00 | 2 | vite | screw | | | |
| 26 | 206781-0-00 | 1 | distanziale | spacer | | | |
| 27 | 206780-0-00 | 1 | vite | screw | | | |
| 28 | 206782-0-00 | 1 | leva comando guida | guide lever control | | | |
| 29 | 743822-0-00 | 1 | vite | screw | | | |
| ■ | 206786-4-00 | 1 | comando leva | lever control | | | |
| 30 | 746007-2-00 | 2 | dado | nut | | | |
| 31 | 727074-0-00 | 1 | vite | screw | | | |
| 32 | 920122-0-11 | 1 | supporto | support | | | |
| 33 | 703807-0-00 | 1 | rondella | washer | | | |
| 34 | 101025-0-10 | 1 | vite | screw | | | |
| 35 | 920123-0-10 | 1 | vite | screw | | | |
| 36 | 206785-0-00 | 1 | leva | lever | | | |

From the library of: Diamond Needle Corp

| Fig. N. Abb. N. | Part. N. Bestell N. Pieze N. | Qt. Anzahl | DESCRIZIONE | DESCRIPTION | BENENNUNG | DESCRIPTION | DESCRIPCION |
|--------------------|------------------------------------|---------------|--------------------------------|----------------------|-----------|-------------|-------------|
| ★ | 206355-4-00 | 1 | spertello ant. compl. | front cover assembly | | | |
| 1 | 206730-0-00 | 1 | vaschetta recupero olio | sump | | | |
| 2 | 741956-2-00 | 1 | vite | screw | | | |
| 3 | 206735-0-00 | 1 | carterino para olio | retainer oil | | | |
| 4 | 744654-2-00 | 3 | vite | screw | | | |
| 5 | 705925-0-00 | 1 | rondella in fibra | washer | | | |
| 6 | 202480-0-10 | 1 | tappo | plug | | | |
| 7 | 202027-0-10 | 1 | tappo | plug | | | |
| 8 | 730023-2-00 | 1 | vite | screw | | | |
| 9 | 206734-2-00 | 1 | morsetto fiss. carter laterale | needle clamp | | | |
| 10 | 206733-0-00 | 1 | vite per carter laterale | screw | | | |
| 11 | 721435-2-00 | 1 | vite | screw | | | |
| 12 | 724895-2-00 | 4 | viti | screw | | | |
| 13 | 206731-2-00 | 1 | carter laterale completo | side cover assembly | | | |
| 14 | 746007-2-00 | 1 | dado | nut | | | |
| 15 | 202214-0-10 | 1 | vite | screw | | | |
| 16 | 206762-2-00 | 1 | sportello scorrevole | sliding cover | | | |
| 17 | 206768-0-00 | 1 | molla | spring | | | |
| 18 | 746208-2-00 | 1 | dado | nut | | | |
| 19 | 206769-0-10 | 1 | vite di regolazione | adjusting screw | | | |
| 20 | 206756-0-00 | 1 | cerniera | hinge | | | |
| 21 | 741724-0-00 | 4 | vite | screw | | | |
| 22 | 721464-2-00 | 2 | vite per coperchio | screw | | | |
| 23 | 206685-0-00 | 1 | coperchio cinghia | cover | | | |
| 24 | 202484-0-10 | 4 | vite | screw | | | |
| 25 | 206687-2-00 | 1 | coparchio coclea | scroll cover | | | |
| 26 | 206688-0-00 | 1 | coclea per ventola | scroll | | | |
| 27 | 206764-0-00 | 1 | zoccolo | block | | | |
| 28 | 206770-0-00 | 1 | targhetta Rimoldi | Rimoldi plate | | | |
| 29 | 202165-0-10 | 2 | vite | screw | | | |
| 30 | 780201-0-20 | 1 | targhetta classe | machine class plate | | | |
| 31 | 206763-0-00 | 1 | sportello ribaltabile | tipping cover | | | |
| 32 | 745800-2-00 | 1 | grano | grub screw | | | |
| 33 | 206767-0-00 | 1 | perno | pin | | | |

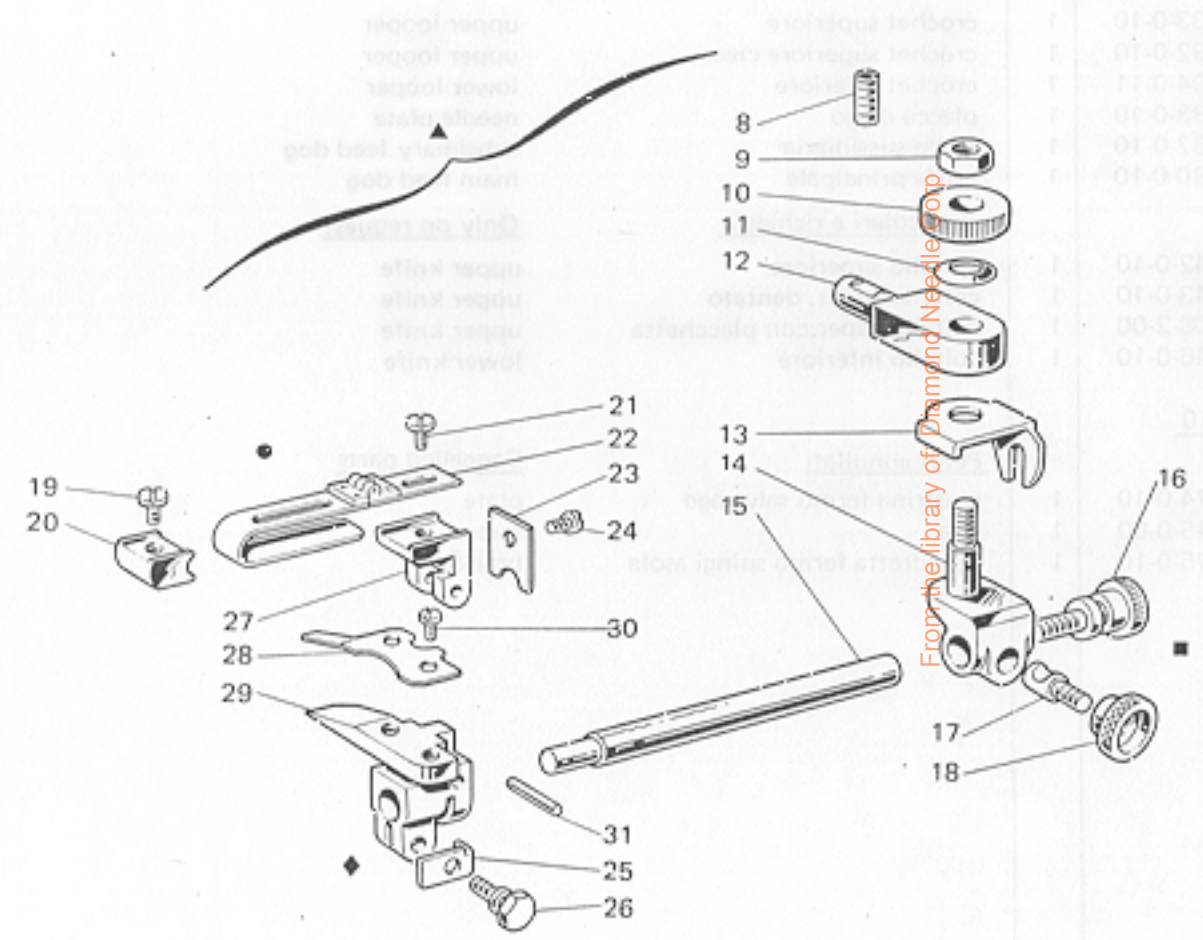
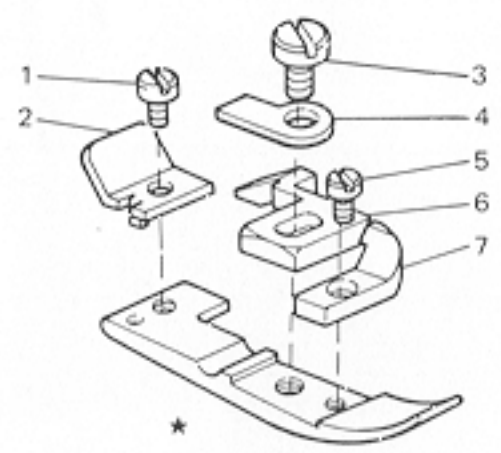
From the library of: Diamond Needle Corp

| Fig. N. Abb. N. | Part. N. Bestell N. Pieza N. | N. N. N. | Qt. Anzahl | DESCRIZIONE | DESCRIPTION | BENENNUNG | DESCRIPTION | DESCRIPCION |
|--------------------|------------------------------------|----------------|---------------|--------------------------------|---------------------|-----------|-------------|-------------|
| | | | | <u>Tav. 3</u> | | | | |
| ★ | 206360-4-00 | | 1 | sportello anteriore completo | cover | | | |
| 16 | 206937-2-00 | | 1 | sportello scorrevole | sliding cover | | | |
| 30 | 780200-0-20 | | 1 | targhetta classe testa | head class plate | | | |
| | | | | <u>Tav. 4</u> | | | | |
| ★ | 206265-4-00 | | 1 | coperchio superiore completo | cover | | | |
| 24 | 206343-4-00 | | 1 | tensione completa | tension assembly | | | |
| 27 | 202681-0-10 | | 1 | molla | spring | | | |
| 32 | 206747-0-00 | | 1 | perno | pin | | | |
| | | | | <u>Tav. 12</u> | | | | |
| 3 | 204033-0-10 | | 1 | crochet superiore | upper looper | | | |
| | 202092-0-10 | | 1 | crochet superiore cieco | upper looper | | | |
| 4 | 202094-0-11 | | 1 | crochet inferiore | lower looper | | | |
| 5 | 202784-0-10 | | 1 | placca d'ago | needle plate | | | |
| 7 | 202782-0-10 | | 1 | griffa sussidiaria | subsidiary feed dog | | | |
| 8 | 202781-0-10 | | 1 | griffa principale | main feed dog | | | |
| | | | | <u>Particolari a richiesta</u> | | | | |
| | | | | <u>Only on request</u> | | | | |
| 3 | 204021-0-10 | | 1 | crochet superiore | upper looper | | | |
| 4 | 202095-0-11 | | 1 | crochet inferiore | lower looper | | | |
| 9 | 202142-0-10 | | 1 | coltello superiore | upper knife | | | |
| | 202143-0-10 | | 1 | coltello super. dentato | upper knife | | | |
| | 207008-2-00 | | 1 | coltello super. con placchetta | upper knife | | | |
| 10 | 202146-0-10 | | 1 | coltello inferiore | lower knife | | | |
| ● | 206788-4-00 | | 1 | guida completa | guide assembly | | | |
| 37 | 741713-0-00 | | 1 | vite | screw | | | |
| 38 | 202824-0-10 | | 1 | lamina per orli | plate | | | |
| 39 | 202849-0-10 | | 1 | guida | guide | | | |
| 40 | 202282-0-10 | | 1 | passafilo | thread guard | | | |
| 41 | 745002-0-00 | | 1 | vite | screw | | | |
| 42 | 741642-2-00 | | 1 | vite | screw | | | |
| 43 | 202872-0-10 | | 1 | piastrina | plate | | | |
| 44 | 203485-0-00 | | 1 | lamina per orli da 2" | plate | | | |
| | | | | <u>Tav. 10</u> | | | | |
| | | | | <u>Pezzi annullati</u> | | | | |
| | | | | <u>Cancelled parts</u> | | | | |
| 15 | 203774-0-10 | | 1 | piastrina fermo salva ago | plate | | | |
| 16 | 741445-0-00 | | 1 | vite | screw | | | |
| 17 | 201775-0-10 | | 1 | squadretta fermo spingi asola | bracket | | | |

From the library of: Diamond Needle Corp

| Fig. N. Abb. N. | Part. N. Bestell N. Piece N. Pieza N. | Qt. Anzahl | DESCRIZIONE | DESCRIPTION | BENENNUNG | DESCRIPTION | DESCRIPCION |
|--------------------|--|---------------|--------------------------------|------------------------|-----------|-------------|-------------|
| 30 | <u>Tav. 3</u> 780285-0-20 | 1 | targhetta classe testa | head class plate | | | |
| 3 | <u>Tav. 12</u> 204033-0-10 | 1 | crochet superiore | upper looper | | | |
| 4 | 202092-0-10 | 1 | crochet superiore cieco | upper looper | | | |
| 5 | 202094-0-11 | 1 | crochet inferiore | lower looper | | | |
| 7 | 202783-0-10 | 1 | placca d'ago | needle plate | | | |
| 8 | 202782-0-10 | 1 | griffa sussidiaria | subsidiary feed dog | | | |
| 8 | 202780-0-10 | 1 | griffa principale | main feed dog | | | |
| | | | <u>Particolari a richiesta</u> | <u>Only on request</u> | | | |
| 9 | 202142-0-10 | 1 | coltello superiore | upper knife | | | |
| | 202143-0-10 | 1 | coltello super. dentato | upper knife | | | |
| | 207008-2-00 | 1 | coltello super. con placchetta | upper knife | | | |
| 10 | 202146-0-10 | 1 | coltello inferiore | lower knife | | | |
| | <u>Tav. 10</u> | | | | | | |
| | | | <u>Pezzi annullati</u> | <u>Cancelled parts</u> | | | |
| 15 | 203774-0-10 | 1 | piastrina fermo salva ago | plate | | | |
| 16 | 741445-0-00 | 1 | vite | screw | | | |
| 17 | 203775-0-10 | 1 | squadretta fermo spingi asola | bracket | | | |

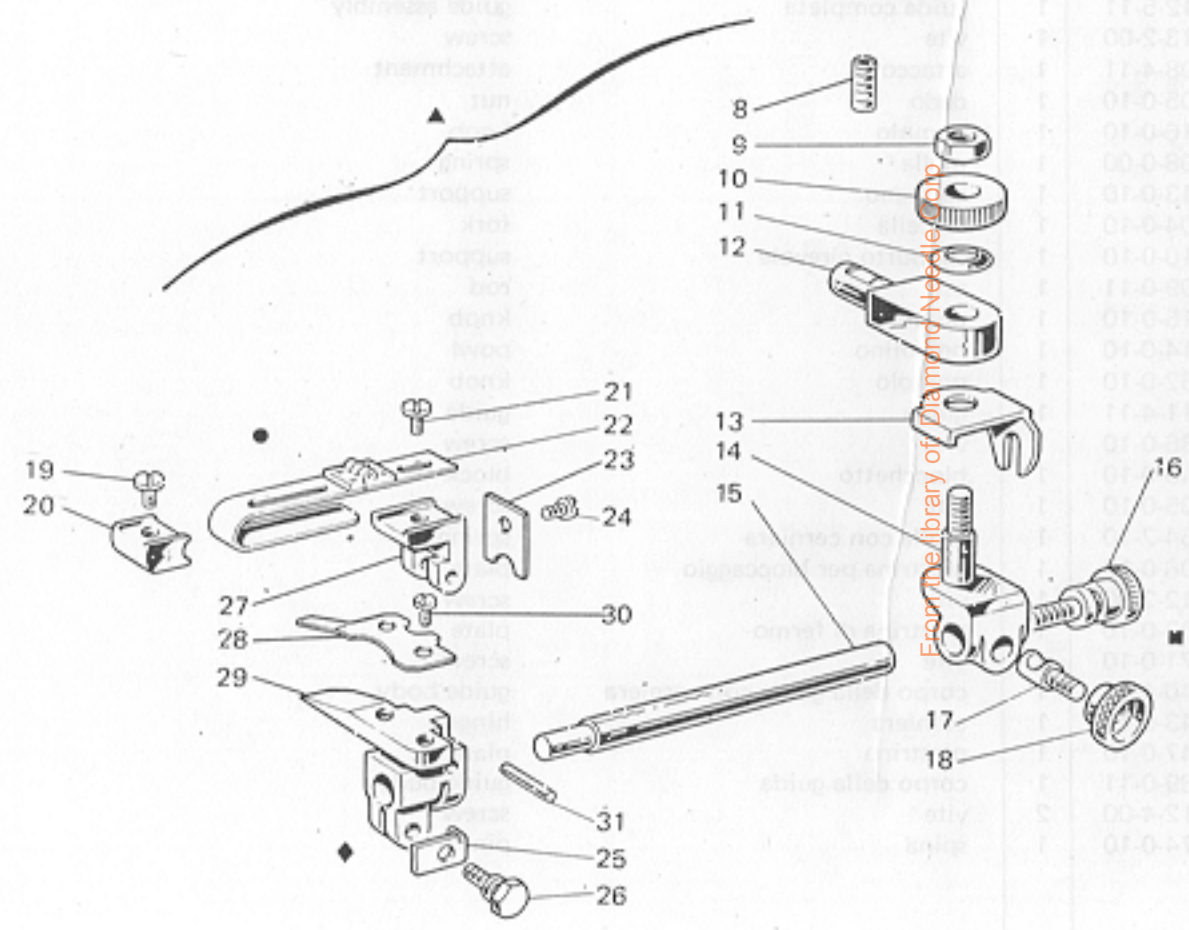
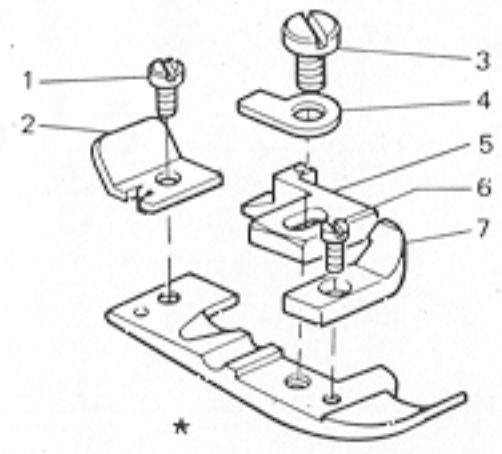
From the library of: Diamond Needle Corp



From the library of Diamond Needle Corp.

| Fig. N. Abb. N. | Part. N. Bestell N. Piece N. Pieza N. | Qt. Anzahl | DESCRIZIONE | DESCRIPTION | BENENNUNG | DESCRIPTION | DESCRIPCION |
|--------------------|--|---------------|--------------------------------|----------------------|-----------|-------------|-------------|
| ★ | 202786-3-10 | 1 | piedino completo | presserfoot assembly | | | |
| 1 | 741413-0-00 | 1 | vite | screw | | | |
| 2 | 202795-0-10 | 1 | piastrina | plate | | | |
| 3 | 741665-0-00 | 1 | vite | screw | | | |
| 4 | 202201-0-10 | 1 | staffa | bracket | | | |
| 5 | 741431-0-00 | 1 | vite | screw | | | |
| 6 | 202797-0-10 | 1 | linguetta | tongue | | | |
| 7 | 202789-0-10 | 1 | blocchetto | block | | | |
| ▲ | 203712-5-11 | 1 | guida completa | guide assembly | | | |
| 8 | 729013-2-00 | 1 | vite | screw | | | |
| ■ | 203708-4-11 | 1 | attacco | attachment | | | |
| 9 | 203705-0-10 | 1 | dado | nut | | | |
| 10 | 203716-0-10 | 1 | pomolo | knob | | | |
| 11 | 702408-0-00 | 1 | molla | spring | | | |
| 12 | 203713-0-10 | 1 | sostegno | support | | | |
| 13 | 203704-0-10 | 1 | forcella | fork | | | |
| 14 | 203710-0-10 | 1 | supporto girevole | support | | | |
| 15 | 203709-0-11 | 1 | asta | rod | | | |
| 16 | 203715-0-10 | 1 | pomolo | knob | | | |
| 17 | 203714-0-10 | 1 | nottolino | pawl | | | |
| 18 | 201162-0-10 | 1 | pomolo | knob | | | |
| ● | 203711-4-11 | 1 | guida | guide | | | |
| 19 | 201236-0-10 | 1 | vite | screw | | | |
| 20 | 201246-0-10 | 1 | blocchetto | block | | | |
| 21 | 202805-0-10 | 1 | vite | screw | | | |
| 22 | 201254-2-10 | 1 | molla con cerniera | spring | | | |
| 23 | 203706-0-10 | 1 | piastrina per bloccaggio | plate | | | |
| 24 | 721412-2-00 | 1 | vite | screw | | | |
| 25 | 203707-0-10 | 1 | piastrina di fermo | plate | | | |
| 26 | 202871-0-10 | 1 | vite | screw | | | |
| ◆ | 202840-4-11 | 1 | corpo della guida con cerniera | guide body | | | |
| 27 | 202843-0-11 | 1 | cerniera | hinge | | | |
| 28 | 202847-0-10 | 1 | piastrina | plate | | | |
| 29 | 202839-0-11 | 1 | corpo della guida | guide body | | | |
| 30 | 744512-4-00 | 2 | vite | screw | | | |
| 31 | 202974-0-10 | 1 | spina | pin | | | |

From the library of: Diamond Needle Corp



| DESCRIZIONE | BENENNUNG | DESCRIPTION | DESCRIZIONE | Part. N. Descr. N. Part. N. | Fig. N. Part. N. Part. N. |
|-------------|-----------|---------------------|------------------|-----------------------------------|---------------------------------|
| | | pressofort assembly | plumino completo | 202700-3-10 | 4 |
| | | screw | vite | 241473-0-00 | 1 |
| | | plate | placina | 202700-0-10 | 2 |
| | | screw | vite | 241802-0-00 | 3 |
| | | bracket | staffa | 202301-0-10 | 4 |
| | | screw | vite | 241431-0-00 | 5 |
| | | bracket | staffa | 202707-0-10 | 7 |
| | | block | bloccetto | 202700-0-10 | 1 |
| | | guide assembly | guida completa | 202712-2-11 | 1 |
| | | screw | vite | 220012-2-00 | 2 |
| | | nut | nut | 202708-4-11 | 1 |
| | | bracket | bracket | 202708-0-10 | 1 |
| | | bracket | bracket | 202710-0-10 | 10 |
| | | bracket | bracket | 202708-0-00 | 11 |
| | | bracket | bracket | 202713-0-10 | 12 |
| | | bracket | bracket | 202714-0-10 | 13 |
| | | bracket | bracket | 202715-0-10 | 14 |
| | | bracket | bracket | 202709-0-11 | 15 |
| | | bracket | bracket | 202716-0-10 | 16 |
| | | bracket | bracket | 202714-0-10 | 17 |
| | | bracket | bracket | 201102-0-10 | 18 |
| | | bracket | bracket | 202714-11 | 19 |
| | | bracket | bracket | 202710-10 | 20 |
| | | bracket | bracket | 202714-11 | 21 |
| | | bracket | bracket | 202714-10 | 22 |
| | | bracket | bracket | 202714-10 | 23 |
| | | bracket | bracket | 202714-10 | 24 |
| | | bracket | bracket | 202714-10 | 25 |
| | | bracket | bracket | 202714-10 | 26 |
| | | bracket | bracket | 202714-10 | 27 |
| | | bracket | bracket | 202714-10 | 28 |
| | | bracket | bracket | 202714-10 | 29 |
| | | bracket | bracket | 202714-10 | 30 |
| | | bracket | bracket | 202714-10 | 31 |

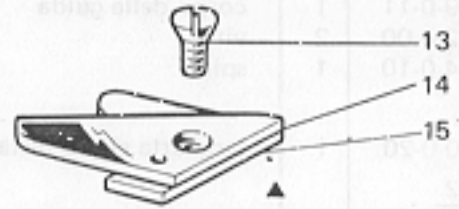
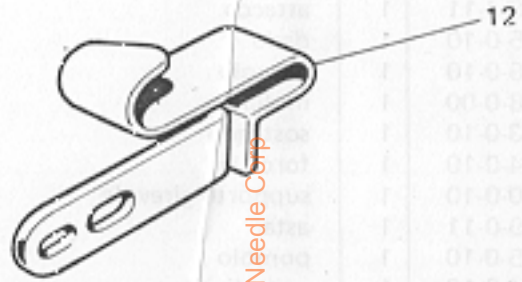
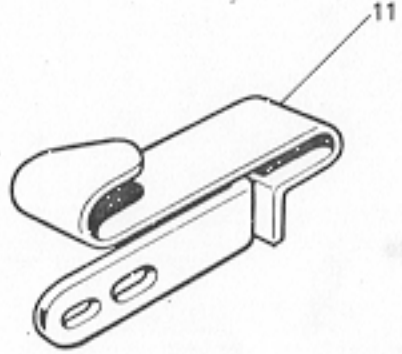
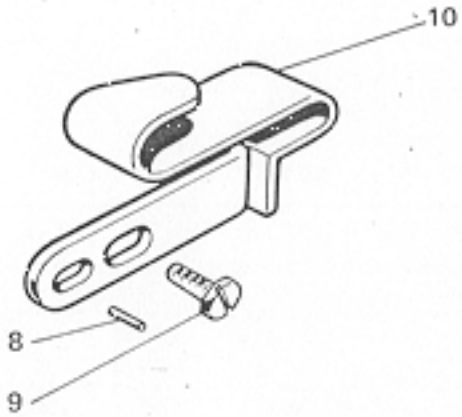
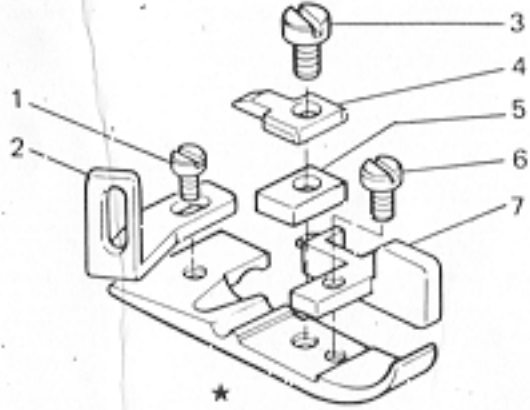
| Fig. N. Abb. N. | Part. N. Bestell N. Piece N. Pieza N. | Qt. Anzahl | DESCRIZIONE | DESCRIPTION | BENENNUNG | DESCRIPTION | DESCRIPCION |
|--------------------|--|---------------|--------------------------------|------------------------|-----------|-------------|-------------|
| ★ | 203721-3-10 | 1 | pedino completo | presserfoot assembly | | | |
| 1 | 741413-0-00 | 1 | vite | screw | | | |
| 2 | 202795-0-10 | 1 | piastrina | plate | | | |
| 3 | 741665-0-00 | 1 | vite | screw | | | |
| 4 | 202201-0-10 | 1 | staffa | bracket | | | |
| 5 | 203722-0-10 | 1 | linguetta | tongue | | | |
| 6 | 741431-0-00 | 1 | vite | screw | | | |
| 7 | 202789-0-10 | 1 | blocchetto | block | | | |
| ▲ | 203712-5-11 | 1 | guida completa | guide assembly | | | |
| 8 | 729013-2-00 | 1 | vite | screw | | | |
| ■ | 203708-4-11 | 1 | attacco | attachment | | | |
| 9 | 203705-0-10 | 1 | dadò | nut | | | |
| 10 | 203716-0-10 | 1 | pomolo | knob | | | |
| 11 | 702408-0-00 | 1 | molla | spring | | | |
| 12 | 203713-0-10 | 1 | sostegno | support | | | |
| 13 | 203704-0-10 | 1 | forcella | fork | | | |
| 14 | 203710-0-10 | 1 | supporto girevole | support | | | |
| 15 | 203709-0-11 | 1 | asta | rod | | | |
| 16 | 203715-0-10 | 1 | pomolo | knob | | | |
| 17 | 203714-0-10 | 1 | nottolino | powl | | | |
| 18 | 201162-0-10 | 1 | pomolo | knob | | | |
| ● | 203711-4-11 | 1 | guida | guide | | | |
| 19 | 201236-0-10 | 1 | vite | screw | | | |
| 20 | 201246-0-10 | 1 | blocchetto | block | | | |
| 21 | 202805-0-10 | 1 | vite | screw | | | |
| 22 | 201254-2-10 | 1 | molla con cerniera | spring | | | |
| 23 | 203706-0-10 | 1 | piastrina per bloccaggio | plate | | | |
| 24 | 721412-2-00 | 1 | vite | screw | | | |
| 25 | 203707-0-10 | 1 | piastrina di fermo | plate | | | |
| 26 | 202871-0-10 | 1 | vite | screw | | | |
| ◆ | 202840-4-11 | 1 | corpo della guida con cerniera | guide body | | | |
| 27 | 202843-0-11 | 1 | cerniera | hinge | | | |
| 28 | 202847-0-10 | 1 | piastrina | plate | | | |
| 29 | 202839-0-11 | 1 | corpo della guida | guide body | | | |
| 30 | 744512-4-00 | 2 | vite | screw | | | |
| 31 | 202974-0-10 | 1 | spina | pin | | | |
| | <u>Tav. 3</u> | | | | | | |
| 30 | 780200-0-20 | 1 | targhetta classe testa | head class plate | | | |
| | <u>Tav. 12</u> | | | | | | |
| 3 | 204033-0-10 | 1 | crochet superiore | upper looper | | | |
| | 202092-0-10 | 1 | crochet super. cieco | upper blind looper | | | |
| 4 | 202094-0-11 | 1 | crochet inferiore | lower looper | | | |
| 5 | 202783-0-10 | 1 | placca d'ago | needle plate | | | |
| 7 | 202782-0-10 | 1 | griffa sussidiaria | subsidiary feed dog | | | |
| 8 | 202780-0-10 | 1 | griffa principale | main feed dog | | | |
| | | | <u>Particolari a richiesta</u> | <u>Only on request</u> | | | |
| 9 | 202142-0-10 | 1 | coltello superiore | upper knife | | | |
| | 202143-0-10 | 1 | coltello super. dentato | upper knife | | | |
| | 207008-2-00 | 1 | coltello super. con placchetta | upper knife | | | |
| 10 | 202146-0-10 | 1 | coltello inferiore | lower knife | | | |
| | <u>Tav. 10</u> | | <u>Pezzi annullati</u> | <u>Cancelled parts</u> | | | |
| 15 | 203774-0-10 | 1 | piastrina fermo salva ago | plate | | | |
| 16 | 741445-0-00 | 1 | vite | screw | | | |
| 17 | 203775-0-10 | 1 | squadretta fermo spingi asola | bracket | | | |

From the library of: Diamond Needle Corp

0879

Rumoldi

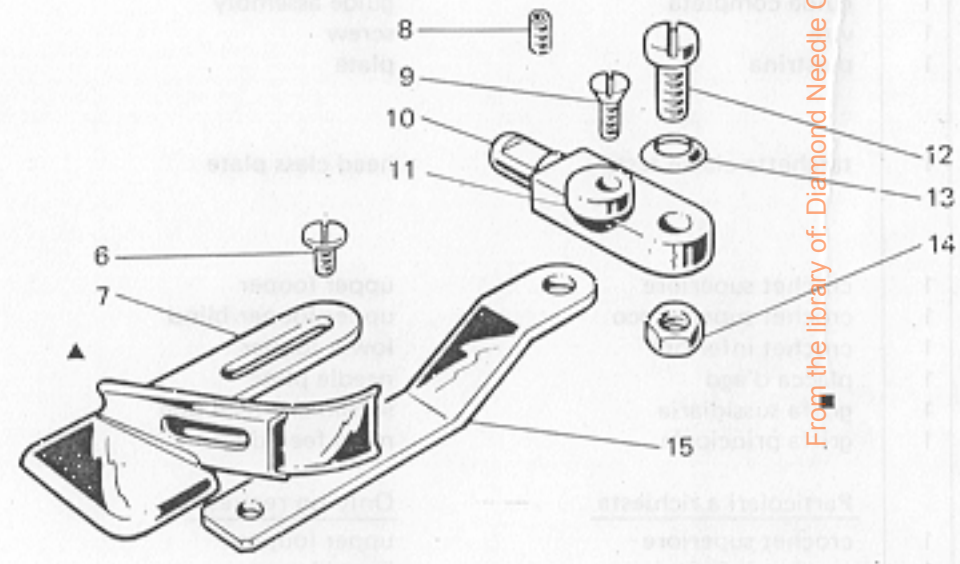
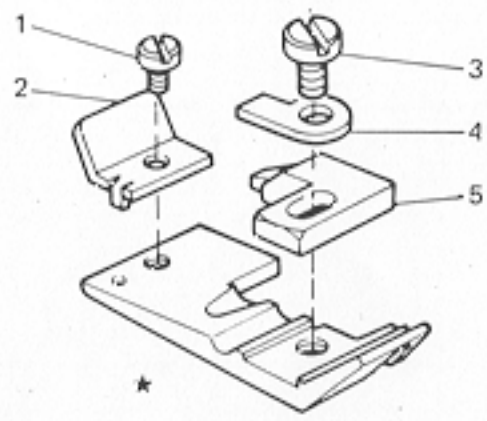
TAV. 32



From the library of: Diamond Needle Corp

| Fig. N. Abb. N. | Part. N. Bestell N. Piece N. Pieza N. | Qt. Anzahl | DESCRIZIONE | DESCRIPTION | BENENNUNG | DESCRIPTION | DESCRIPCION |
|--------------------|--|---------------|--------------------------------|------------------------|-----------|-------------|-------------|
| ★ | 202778-3-10 | 1 | pieдино completo | presserfoot assembly | | | |
| 1 | 202796-0-10 | 1 | squadrettz | bracket | | | |
| 2 | 721411-0-00 | 1 | vite | screw | | | |
| 3 | 741675-2-00 | 1 | vite | screw | | | |
| 4 | 203772-0-10 | 1 | staffa | bracket | | | |
| 5 | 202791-0-10 | 1 | blocchetto | block | | | |
| 6 | 741453-0-00 | 1 | vite | screw | | | |
| 7 | 202799-0-10 | 1 | linguetta | tongue | | | |
| 8 | 203306-0-10 | 1 | spinetta | pin | | | |
| 9 | 721443-2-00 | 1 | vite | screw | | | |
| 10 | 202857-2-10 | 1 | guida completa | guide assembly | | | |
| | | | <u>Particolari a richiesta</u> | <u>Only on request</u> | | | |
| ▲ | 202884-4-10 | 1 | dispositivo tagliatore | device | | | |
| 11 | 202902-2-10 | 1 | guida completa | guide assembly | | | |
| 12 | 202897-2-10 | 1 | guida completa | guide assembly | | | |
| 13 | 744510-0-00 | 1 | vite | screw | | | |
| 14 | 202511-0-10 | 1 | piastina | plate | | | |
| | <u>Tav. 3</u> | | | | | | |
| 30 | 780200-0-20 | 1 | targhetta classe testa | head class plate | | | |
| | <u>Tav. 12</u> | | | | | | |
| 3 | 204033-0-10 | 1 | crochet superiore | upper looper | | | |
| | 202092-0-10 | 1 | crochet super. cieco | upper looper blind | | | |
| 4 | 202094-0-11 | 1 | crochet inferiore | lower looper | | | |
| 5 | 202783-0-10 | 1 | placca d'ago | needle plate | | | |
| 7 | 202782-0-10 | 1 | griffa sussidiaria | subsidiary feed dog | | | |
| 8 | 202780-0-10 | 1 | griffa principale | main feed dog | | | |
| | | | <u>Particolari a richiesta</u> | <u>Only on request</u> | | | |
| 3 | 204021-0-10 | 1 | crochet superiore | upper looper | | | |
| 4 | 202095-0-11 | 1 | crochet inferiore | lower looper | | | |
| 5 | 202876-0-10 | 1 | placca d'ago | needle plate | | | |
| | 202877-0-10 | 1 | placca d'ago | needle plate | | | |
| 9 | 202142-0-10 | 1 | coltello superiore | upper knife | | | |
| | 202143-0-10 | 1 | coltello super. dentato | upper knife | | | |
| | 207008-2-00 | 1 | coltello super. con placchetta | upper knife | | | |
| 10 | 202146-0-10 | 1 | coltello inferiore | lower knife | | | |
| | <u>Tav. 10</u> | | | | | | |
| | | | <u>Pezzi annullati</u> | <u>Cancelled parts</u> | | | |
| 15 | 203774-0-10 | 1 | piastrina fermo salva ago | plate | | | |
| 16 | 741445-0-00 | 1 | vite | screw | | | |
| 17 | 203775-0-10 | 1 | squadretta fermo spingi asola | bracket | | | |

From the library of: Diamond Needle Corp

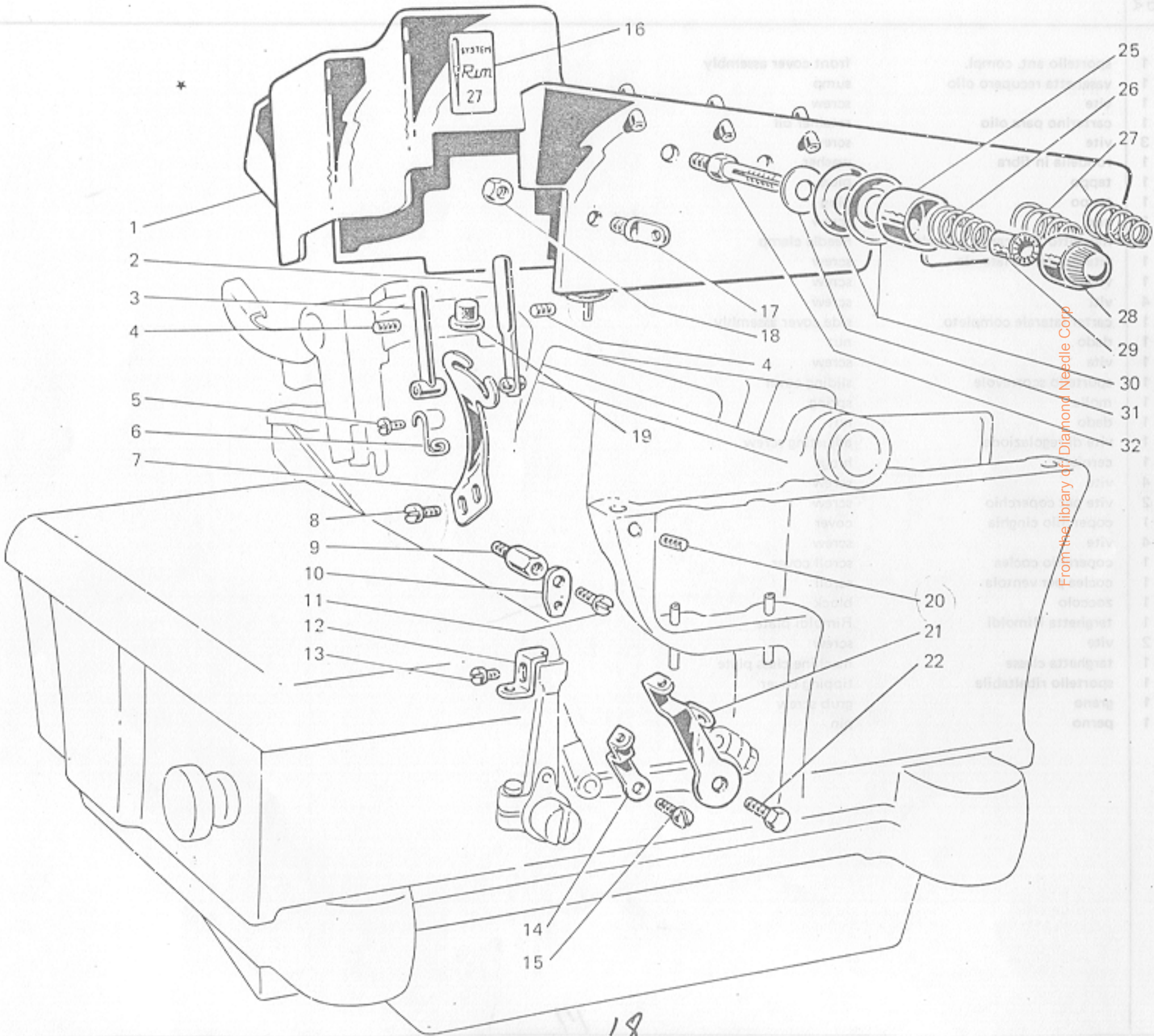


From the library of: Diamond Needle Corp

| FIG. N. App. N. | Part N. Descr. N. Part N. | DESCRIPTION | DESCRIPTION | DESCRIPTION | DESCRIPTION | DESCRIPTION |
|--------------------|---------------------------------|-------------|-------------|-------------|-------------|-------------|
| 1 | 203732-0-10 | vis | vis | vis | vis | vis |
| 2 | 203732-0-10 | bracket | bracket | bracket | bracket | bracket |
| 3 | 203732-0-10 | vis | vis | vis | vis | vis |
| 4 | 203732-0-10 | bracket | bracket | bracket | bracket | bracket |
| 5 | 203732-0-10 | bracket | bracket | bracket | bracket | bracket |
| 6 | 203732-0-10 | bracket | bracket | bracket | bracket | bracket |
| 7 | 203732-0-10 | bracket | bracket | bracket | bracket | bracket |
| 8 | 203732-0-10 | bracket | bracket | bracket | bracket | bracket |
| 9 | 203732-0-10 | bracket | bracket | bracket | bracket | bracket |
| 10 | 203732-0-10 | bracket | bracket | bracket | bracket | bracket |
| 11 | 203732-0-10 | bracket | bracket | bracket | bracket | bracket |
| 12 | 203732-0-10 | bracket | bracket | bracket | bracket | bracket |
| 13 | 203732-0-10 | bracket | bracket | bracket | bracket | bracket |
| 14 | 203732-0-10 | bracket | bracket | bracket | bracket | bracket |
| 15 | 203732-0-10 | bracket | bracket | bracket | bracket | bracket |

| Fig. N. Abb. N. | Part. N. Bestell N. Piece N. Pieza N. | Qt. Anzahl | DESCRIZIONE | DESCRIPTION | BENENNUNG | DESCRIPTION | DESCRIPCION |
|------------------------|--|---------------|--------------------------------|----------------------|-----------|-------------|-------------|
| ★ | 202177-3-10 | 1 | piedino completo | presserfoot assembly | | | |
| 1 | 741413-0-00 | 1 | vite | screw | | | |
| 2 | 202192-0-10 | 1 | piastrina | plate | | | |
| 3 | 741665-0-00 | 1 | vite | screw | | | |
| 4 | 202201-0-10 | 1 | staffa | bracket | | | |
| 5 | 202198-0-10 | 1 | linguetta | tongue | | | |
| ▲ | 202314-4-10 | 1 | guida completa | guide assembly | | | |
| 6 | 201236-0-10 | 2 | vite | screw | | | |
| 7 | 202313-3-10 | 1 | guida | guide | | | |
| ■ | 202958-4-10 | 1 | supporto girevole | support | | | |
| 8 | 729013-2-00 | 1 | vite | screw | | | |
| 9 | 744634-0-00 | 1 | vite | screw | | | |
| 10 | 202970-0-10 | 1 | sostegno | support | | | |
| 11 | 300710-0-10 | 1 | eccentrico | eccentric | | | |
| 12 | 743464-2-00 | 1 | vite | screw | | | |
| 13 | 702406-0-00 | 1 | molla a tazza | spring | | | |
| 14 | 746007-2-00 | 1 | dado | nut | | | |
| 15 | 202967-0-10 | 1 | supporto | support | | | |
| Tav. 3 | | | | | | | |
| 30 | 780330-0-20 | 1 | targhetta classe testa | head class plate | | | |
| Tav. 10 | | | | | | | |
| <u>Pezzi annullati</u> | | | <u>Cancelled parts</u> | | | | |
| 2 | 202130-0-10 | 1 | perno porta coltello superiore | pin | | | |
| 3 | 202127-0-10 | 1 | placchetta porta colt. super. | plate | | | |
| 4 | 744533-0-00 | 1 | vite | screw | | | |
| 6 | 202131-0-10 | 1 | nasello fissa coltello super. | snug | | | |
| 7 | 200663-0-10 | 1 | carterino coltello super. | cover | | | |
| 8 | 202496-0-10 | 1 | vite fissa coltello super. | screw | | | |
| 13 | 704409-0-00 | 1 | rondella | washer | | | |
| 14 | 742457-2-00 | 1 | vite | screw | | | |
| 21 | 202134-0-10 | 1 | perno fissa coltello inferiore | pin | | | |
| Tav. 12 | | | | | | | |
| 5 | 202149-0-10 | 1 | placca d'ago | needle plate | | | |
| 7 | 202058-0-10 | 1 | griffa sussidiaria | subsidiary feed dog | | | |
| 8 | 202054-0-10 | 1 | griffa principale | main feed dog | | | |
| <u>Pezzi annullati</u> | | | <u>Cancelled parts</u> | | | | |
| 9 | 207000-2-00 | 1 | coltello superiore | upper knife | | | |
| 10 | 207015-2-00 | 1 | coltello inferiore | lower knife | | | |

From the library of: Diamond Needle Corp



From the library of Diamond Needle Corp

| Part No. | Part Name | QTY |
|------------|-----------|-----|
| 208355-4-0 | | * |
| 208730-0-0 | | 1 |
| 241950-2-0 | | 3 |
| 208735-0-0 | | 3 |
| 24854-2-0 | | 4 |
| 20825-0-0 | | 5 |
| 202480-0-1 | | 5 |
| 202057-0-1 | | 7 |
| 23052-0-0 | | 8 |
| 208730-0-0 | | 9 |
| 208730-0-0 | | 10 |
| 208730-0-0 | | 11 |
| 208730-0-0 | | 12 |
| 208730-0-0 | | 13 |
| 208730-0-0 | | 14 |
| 208730-0-0 | | 15 |
| 208730-0-0 | | 16 |
| 208730-0-0 | | 17 |
| 208730-0-0 | | 18 |
| 208730-0-0 | | 19 |
| 208730-0-0 | | 20 |
| 208730-0-0 | | 21 |
| 208730-0-0 | | 22 |
| 208730-0-0 | | 23 |
| 208730-0-0 | | 24 |
| 208730-0-0 | | 25 |
| 208730-0-0 | | 26 |
| 208730-0-0 | | 27 |
| 208730-0-0 | | 28 |
| 208730-0-0 | | 29 |
| 208730-0-0 | | 30 |
| 208730-0-0 | | 31 |
| 208730-0-0 | | 32 |

DESCRIZIONE DESCRIZIONE BENEUNUNG DESCRIPTION DESCRIZIONE

| Fig. N. Part N. Descr. N. | Fig. N. Part N. Descr. N. | Fig. N. Part N. Descr. N. | Fig. N. Part N. Descr. N. | Fig. N. Part N. Descr. N. |
|---------------------------------|---------------------------------|---------------------------------|---------------------------------|---------------------------------|
| 1 | 1 | 1 | 1 | 1 |
| 2 | 2 | 2 | 2 | 2 |
| 3 | 3 | 3 | 3 | 3 |
| 4 | 4 | 4 | 4 | 4 |
| 5 | 5 | 5 | 5 | 5 |
| 6 | 6 | 6 | 6 | 6 |
| 7 | 7 | 7 | 7 | 7 |
| 8 | 8 | 8 | 8 | 8 |
| 9 | 9 | 9 | 9 | 9 |
| 10 | 10 | 10 | 10 | 10 |
| 11 | 11 | 11 | 11 | 11 |
| 12 | 12 | 12 | 12 | 12 |
| 13 | 13 | 13 | 13 | 13 |
| 14 | 14 | 14 | 14 | 14 |
| 15 | 15 | 15 | 15 | 15 |
| 16 | 16 | 16 | 16 | 16 |
| 17 | 17 | 17 | 17 | 17 |
| 18 | 18 | 18 | 18 | 18 |
| 19 | 19 | 19 | 19 | 19 |
| 20 | 20 | 20 | 20 | 20 |
| 21 | 21 | 21 | 21 | 21 |
| 22 | 22 | 22 | 22 | 22 |
| 23 | 23 | 23 | 23 | 23 |
| 24 | 24 | 24 | 24 | 24 |
| 25 | 25 | 25 | 25 | 25 |
| 26 | 26 | 26 | 26 | 26 |
| 27 | 27 | 27 | 27 | 27 |
| 28 | 28 | 28 | 28 | 28 |
| 29 | 29 | 29 | 29 | 29 |
| 30 | 30 | 30 | 30 | 30 |
| 31 | 31 | 31 | 31 | 31 |
| 32 | 32 | 32 | 32 | 32 |
| 33 | 33 | 33 | 33 | 33 |
| 34 | 34 | 34 | 34 | 34 |
| 35 | 35 | 35 | 35 | 35 |
| 36 | 36 | 36 | 36 | 36 |
| 37 | 37 | 37 | 37 | 37 |
| 38 | 38 | 38 | 38 | 38 |
| 39 | 39 | 39 | 39 | 39 |
| 40 | 40 | 40 | 40 | 40 |

From the library of: Diamond Needle Corp

| Fig. N. Abb. N. | Part. N. Bestell N. Piece N. Pieza N. | Qt. Anzahl | DESCRIZIONE | DESCRIPTION | BENENNUNG | DESCRIPTION | DESCRIPCION |
|--------------------|--|---------------|-------------------------|----------------------|-----------|-------------|-------------|
| ★ | 203157-3-10 | 1 | pedino completo | presserfoot assembly | | | |
| 1 | 741413-0-00 | 1 | vite | screw | | | |
| 2 | 202192-0-10 | 1 | piastrina | plate | | | |
| 3 | 741665-0-00 | 1 | vite | screw | | | |
| 4 | 202201-0-10 | 1 | staffa | bracket | | | |
| 5 | 202195-0-10 | 1 | linguetta | tongue | | | |
| 6 | 202193-0-10 | 1 | squadretta di fermo | bracket | | | |
| 7 | 721443-2-00 | 1 | vite | screw | | | |
| ▲ | 204915-4-12 | 1 | pieghettatore completo | folding device | | | |
| 8 | 300483-0-10 | 2 | vite | screw | | | |
| 9 | 206923-0-00 | 1 | leva pieghettatore | folding lever | | | |
| 10 | 204964-0-00 | 1 | piastrina | plate | | | |
| 11 | 204916-0-10 | 1 | lamina | sheet | | | |
| 12 | 729013-2-00 | 1 | vite | screw | | | |
| 13 | 200699-0-10 | 1 | pomo | knob | | | |
| 14 | 700205-0-00 | 1 | anello | ring | | | |
| 15 | 200074-0-10 | 1 | bussola | bush | | | |
| 16 | 204937-0-10 | 1 | molla | spring | | | |
| 17 | 200821-0-10 | 1 | scodellino | cap | | | |
| 18 | 200698-0-10 | 1 | perno | pin | | | |
| 19 | 204926-0-10 | 1 | leva | lever | | | |
| 20 | 204914-0-10 | 1 | corpo pieghettatore | folding body | | | |
| 21 | 721434-2-00 | 4 | vite | screw | | | |
| 22 | 204924-2-10 | 1 | leva | lever | | | |
| 23 | 206909-0-00 | 1 | leva | lever | | | |
| 24 | 202100-0-10 | 1 | spina | pin | | | |
| 25 | 744533-0-00 | 2 | vite | screw | | | |
| 26 | 204935-0-10 | 1 | piastrina | plate | | | |
| 27 | 204938-0-10 | 1 | molla | spring | | | |
| 28 | 204936-0-10 | 1 | perno | pin | | | |
| 29 | 748021-2-00 | 2 | caffa | nut | | | |
| 30 | 704216-2-00 | 1 | rondella | washer | | | |
| 31 | 204927-0-10 | 1 | sostegno | support | | | |
| 32 | 741675-2-00 | 2 | vite | screw | | | |
| 33 | 204918-0-10 | 1 | perno | pin | | | |
| 34 | 704424-2-00 | 1 | rondella | washer | | | |
| 35 | 204934-0-10 | 1 | vite a perno | screw | | | |
| | | | Particolari a richiesta | Only on request | | | |
| ■ | 203158-3-10 | 1 | pedino completo | presserfoot assembly | | | |
| 36 | 741413-0-00 | 1 | vite | screw | | | |
| 37 | 202192-0-10 | 1 | piastrina | plate | | | |
| 38 | 741665-0-00 | 1 | vite | screw | | | |
| 39 | 202201-0-10 | 1 | staffa | bracket | | | |
| 40 | 202195-0-10 | 1 | linguetta | tongue | | | |

From the library of: Diamond Needle Corp

Rimoldi

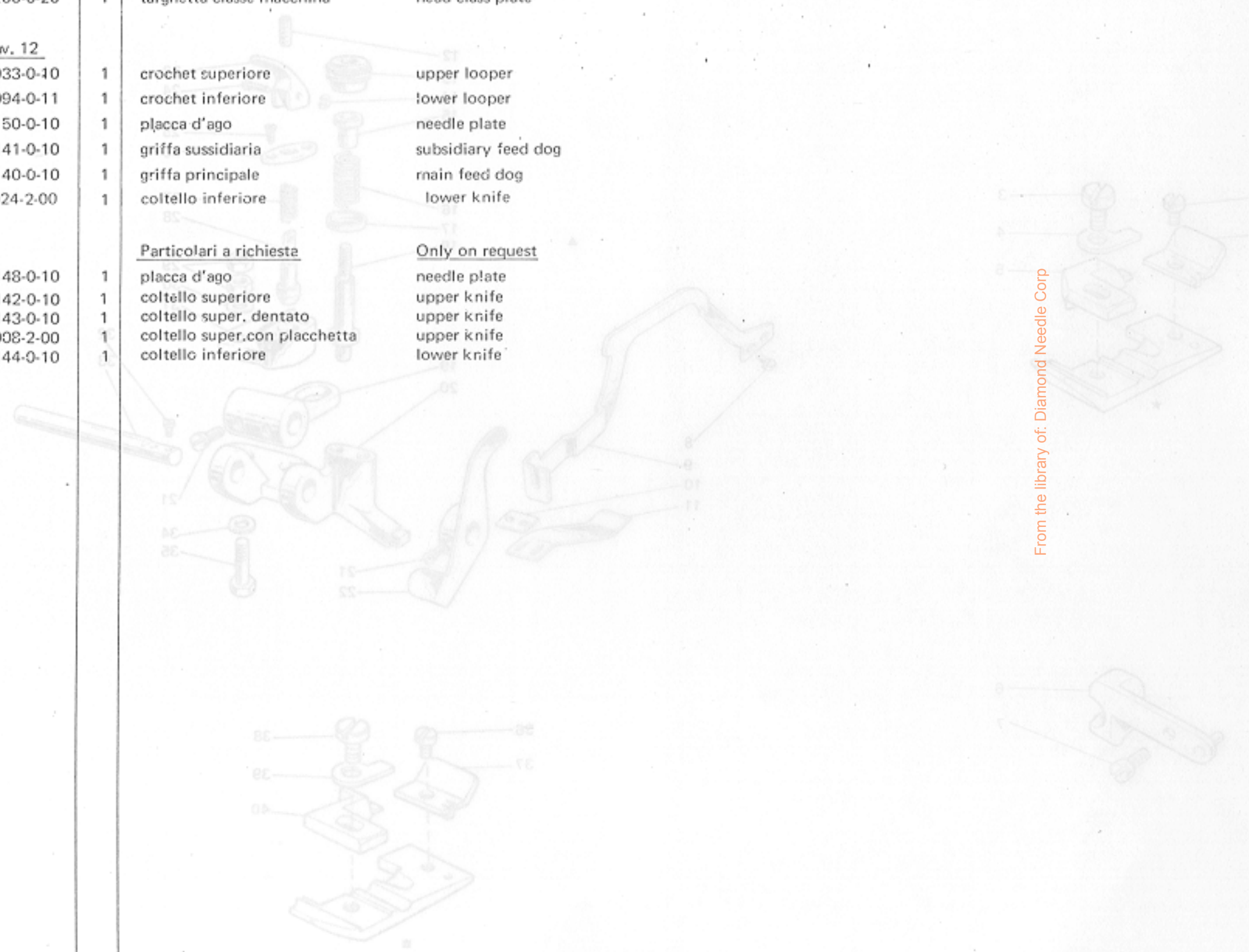
327-22-1CD-02
(327-00-1CD-01)

TAV. 34

| Fig. N. Abb. N. | Part. N. Bestell N. Pieze N. Pieza N. | Qt. Anzahl | DESCRIZIONE | DESCRIPTION | BENENNUNG | DESCRIPTION | DESCRIPCION |
|--------------------|--|---------------|--------------------------------|------------------------|-----------|-------------|-------------|
| 30 | Tav. 3 780200-0-20 | 1 | targhetta classe testa | head class plate | | | |
| 3 | Tav. 12 204033-0-10 | 1 | crochet superiore | upper looper | | | |
| 4 | 202094-0-11 | 1 | crochet inferiore | lower looper | | | |
| 5 | 203148-0-10 | 1 | placca d'ago | needle plate | | | |
| 7 | 203141-0-10 | 1 | griffa sussidiaria | subsidiary feed dog | | | |
| 8 | 203140-0-10 | 1 | griffa principale | main feed dog | | | |
| | | | <u>Particolari a richiesta</u> | <u>Only on request</u> | | | |
| 5 | 203149-0-10 | 1 | placca d'ago | needle plate | | | |
| 9 | 202142-0-10 | 1 | coltello superiore | upper knife | | | |
| | 202143-0-10 | 1 | coltello super. dentato | upper knife | | | |
| | 207008-2-00 | 1 | coltello super.con placchetta | upper knife | | | |
| 10 | 202146-0-10 | 1 | coltello inferiore | lower knife | | | |

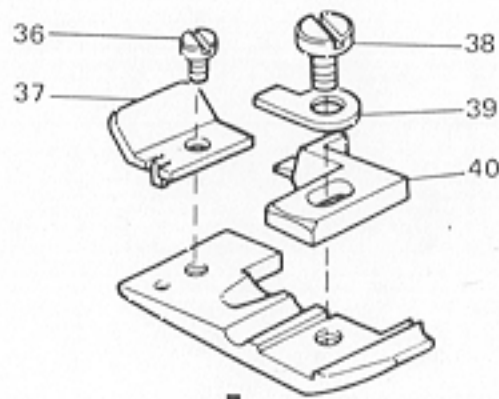
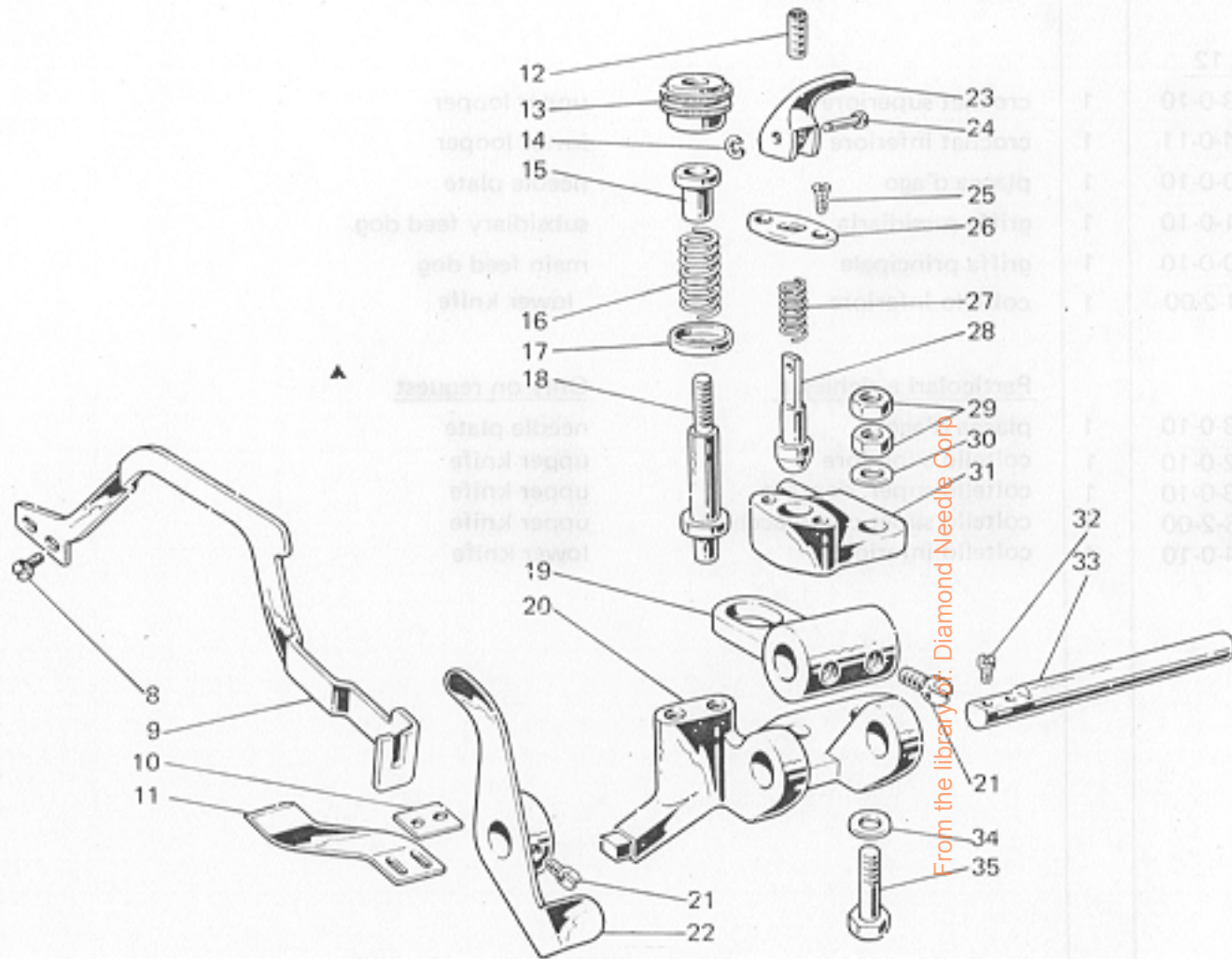
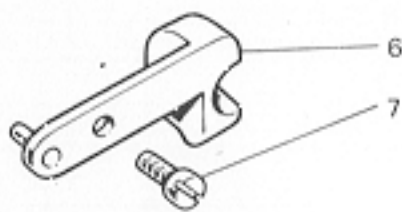
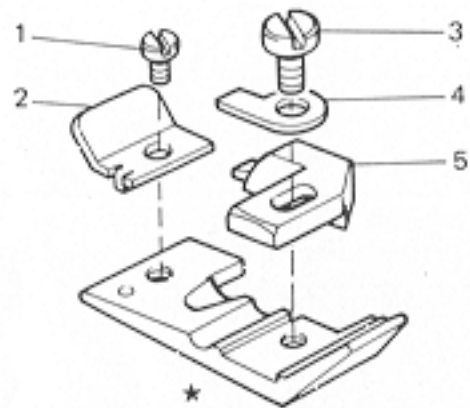
From the library of: Diamond Needle Corp

| Fig. N. Abb. N. | Part. N. Bestell N. Piece N. Pieza N. | Qt. Anzahl | DESCRIZIONE | DESCRIPTION | BENENNUNG | DESCRIPTION | DESCRIPCION |
|--------------------|--|---------------|--------------------------------|------------------------|-----------|-------------|-------------|
| 30 | Tav. 3 780200-0-20 | 1 | targhetta classe macchina | head class plate | | | |
| 3 | Tav. 12 204033-0-10 | 1 | crochet superiore | upper looper | | | |
| 4 | 202094-0-11 | 1 | crochet inferiore | lower looper | | | |
| 5 | 203150-0-10 | 1 | placca d'ago | needle plate | | | |
| 7 | 203141-0-10 | 1 | griffa sussidiaria | subsidiary feed dog | | | |
| 8 | 203140-0-10 | 1 | griffa principale | main feed dog | | | |
| 10 | 207024-2-00 | 1 | coltello inferiore | lower knife | | | |
| | | | <u>Particolari a richiesta</u> | <u>Only on request</u> | | | |
| 5 | 203148-0-10 | 1 | placca d'ago | needle plate | | | |
| 9 | 202142-0-10 | 1 | coltello superiore | upper knife | | | |
| | 202143-0-10 | 1 | coltello super. dentato | upper knife | | | |
| | 207008-2-00 | 1 | coltello super. con placchetta | upper knife | | | |
| 10 | 203144-0-10 | 1 | coltello inferiore | lower knife | | | |



From the library of: Diamond Needle Corp

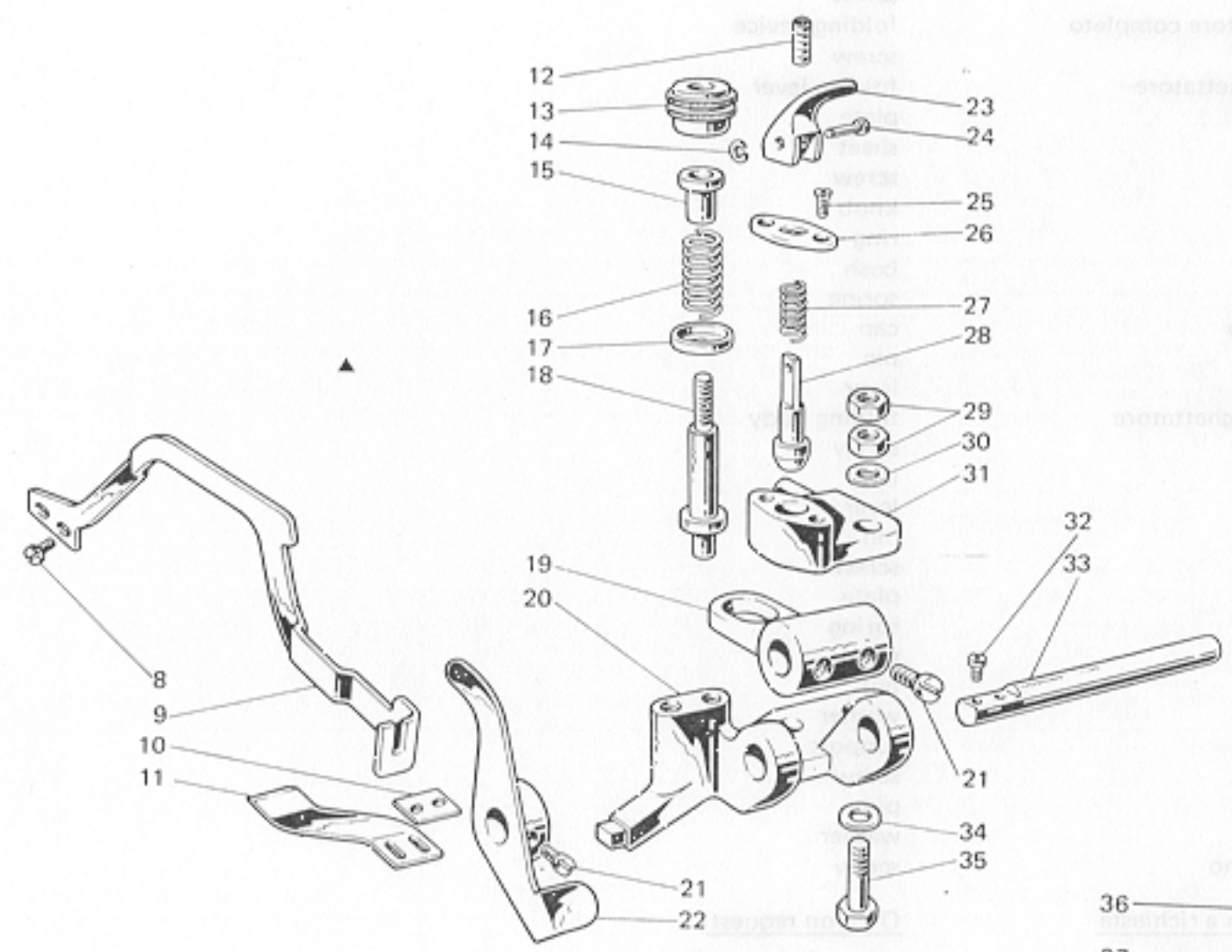
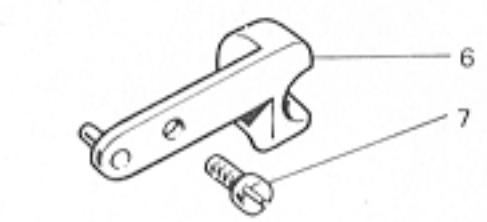
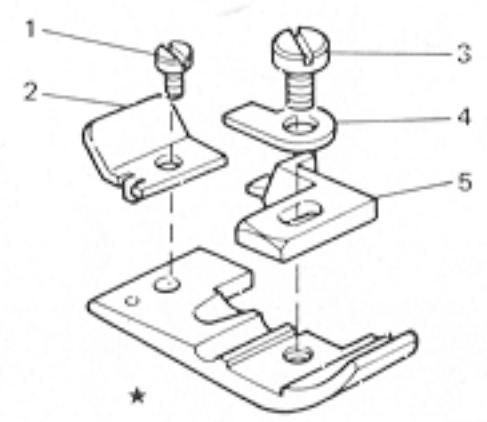
Rumoldi



| Fig. N. Abb. N. | Part. N. Bestell N. Piese N. Pieza N. | Qt. Anzahl | DESCRIZIONE | DESCRIPTION | BENENNUNG | DESCRIPTION | DESCRIPCION |
|--------------------|--|---------------|--------------------------------|------------------------|-----------|-------------|-------------|
| ★ | 203159-3-10 | 1 | pedino completo | presserfoot assembly | | | |
| 1 | 741413-0-00 | 1 | vite | screw | | | |
| 2 | 202192-0-10 | 1 | piastrina | plate | | | |
| 3 | 741665-0-00 | 1 | vite | screw | | | |
| 4 | 202201-0-10 | 1 | staffa | bracket | | | |
| 5 | 202173-0-10 | 1 | linguetta | tongue | | | |
| 6 | 202193-0-10 | 1 | squadretta di fermo | bracket | | | |
| 7 | 721443-2-00 | 1 | vite | screw | | | |
| ▲ | 204915-4-12 | 1 | pieghettatore completo | folding device | | | |
| 8 | 300483-0-10 | 2 | vite | screw | | | |
| 9 | 206923-0-00 | 1 | leva pieghettatore | folding lever | | | |
| 10 | 204964-0-00 | 1 | piastrina | plate | | | |
| 11 | 204916-0-10 | 1 | lamina | sheet | | | |
| 12 | 729013-2-00 | 1 | vite | screw | | | |
| 13 | 200699-0-10 | 1 | pomolo | knob | | | |
| 14 | 700205-0-00 | 1 | anello | ring | | | |
| 15 | 200074-0-10 | 1 | bussola | bush | | | |
| 16 | 204937-0-10 | 1 | molla | spring | | | |
| 17 | 200821-0-10 | 1 | scodellino | cap | | | |
| 18 | 200698-0-10 | 1 | perno | pin | | | |
| 19 | 204926-0-10 | 1 | leva | lever | | | |
| 20 | 204914-0-10 | 1 | corpo pieghettatore | folding body | | | |
| 21 | 721434-2-00 | 4 | vite | screw | | | |
| 22 | 204924-2-10 | 1 | leva | lever | | | |
| 23 | 206909-0-00 | 1 | leva | lever | | | |
| 24 | 202100-0-10 | 1 | spina | pin | | | |
| 25 | 744533-0-00 | 2 | vite | screw | | | |
| 26 | 204935-0-10 | 1 | piastrina | plate | | | |
| 27 | 204938-0-10 | 1 | molla | spring | | | |
| 28 | 204936-0-10 | 1 | puntale | pin | | | |
| 29 | 746021-2-00 | 2 | dado | nut | | | |
| 30 | 704216-2-00 | 1 | rondella | washer | | | |
| 31 | 204927-0-10 | 1 | sostegno | support | | | |
| 32 | 741675-2-00 | 2 | vite | screw | | | |
| 33 | 204918-0-10 | 1 | perno | pin | | | |
| 34 | 704424-2-00 | 1 | rondella | washer | | | |
| 35 | 204934-0-10 | 1 | vite a perno | screw | | | |
| | | | <u>Particolari a richiesta</u> | <u>Only on request</u> | | | |
| ■ | 203158-3-10 | 1 | pedino completo | presserfoot assembly | | | |
| 36 | 741413-0-00 | 1 | vite | screw | | | |
| 37 | 202192-0-10 | 1 | piastrina | plate | | | |
| 38 | 741665-0-00 | 1 | vite | screw | | | |
| 39 | 202201-0-10 | 1 | staffa | bracket | | | |
| 40 | 202195-0-10 | 1 | linguetta | tongue | | | |

From the library of: Diamond Needle Corp

DESCRIPTION BENENNUNG DESCRIPTION DESCRIZIONE



From the library of: Diamond Needle Corp

| Fig. N. Abb. N. | Part. N. Bestell N. Pieza N. | Qt. Anzahl | DESCRIZIONE | DESCRIPTION | BENENNUNG | DESCRIPTION | DESCRIPCION |
|--------------------|------------------------------------|---------------|-------------------------|----------------------|-----------|-------------|-------------|
| ★ | 203157-3-10 | 1 | pedino completo | presserfoot assembly | | | |
| 1 | 741413-0-00 | 1 | vite | screw | | | |
| 2 | 202192-0-10 | 1 | piastrina | plate | | | |
| 3 | 741665-0-00 | 1 | vite | screw | | | |
| 4 | 202201-0-10 | 1 | staffa | bracket | | | |
| 5 | 202195-0-10 | 1 | linguetta | tongue | | | |
| 6 | 202193-0-10 | 1 | squadretta di fermo | bracket | | | |
| 7 | 721443-2-00 | 1 | vite | screw | | | |
| ▲ | 204915-4-12 | 1 | pieghettatore completo | folding device | | | |
| 8 | 300483-0-10 | 2 | vite | screw | | | |
| 9 | 206923-0-00 | 1 | leva pieghettatore | folding lever | | | |
| 10 | 204964-0-00 | 1 | piastrina | plate | | | |
| 11 | 204916-0-10 | 1 | lamina | sheet | | | |
| 12 | 729013-2-00 | 1 | vite | screw | | | |
| 13 | 200699-0-10 | 1 | pmolo | knob | | | |
| 14 | 700205-0-00 | 1 | anello | ring | | | |
| 15 | 200074-0-10 | 1 | bussola | bush | | | |
| 16 | 204937-0-10 | 1 | molla | spring | | | |
| 17 | 200821-0-10 | 1 | scodellino | cap | | | |
| 18 | 200698-0-10 | 1 | perno | pin | | | |
| 19 | 204926-0-10 | 1 | leva | lever | | | |
| 20 | 204914-0-10 | 1 | corpo pieghettatore | folding body | | | |
| 21 | 721434-2-00 | 4 | vite | screw | | | |
| 22 | 204924-2-10 | 1 | leva | lever | | | |
| 23 | 206909-0-00 | 1 | leva | lever | | | |
| 24 | 202100-0-10 | 1 | spina | pin | | | |
| 25 | 744533-0-00 | 2 | vite | screw | | | |
| 26 | 204935-0-10 | 1 | piastrina | plate | | | |
| 27 | 204938-0-10 | 1 | molla | spring | | | |
| 28 | 204936-0-10 | 1 | puntale | pin | | | |
| 29 | 746021-2-00 | 2 | dado | nut | | | |
| 30 | 704216-2-00 | 1 | rondella | washer | | | |
| 31 | 204927-0-10 | 1 | sostegno | support | | | |
| 32 | 741675-2-00 | 2 | vite | screw | | | |
| 33 | 204918-0-10 | 1 | perno | pin | | | |
| 34 | 704424-2-00 | 1 | rondella | washer | | | |
| 35 | 204934-0-10 | 1 | vite a perno | screw | | | |
| | | | Particolari a richiesta | Only on request | | | |
| ■ | 203158-3-10 | 1 | pedino completo | presserfoot assembly | | | |
| 36 | 741413-0-00 | 1 | vite | screw | | | |
| 37 | 202192-0-10 | 1 | piastrina | plate | | | |
| 38 | 741665-0-00 | 1 | vite | screw | | | |
| 39 | 202201-0-10 | 1 | staffa | bracket | | | |
| 40 | 202195-0-10 | 1 | linguetta | tongue | | | |

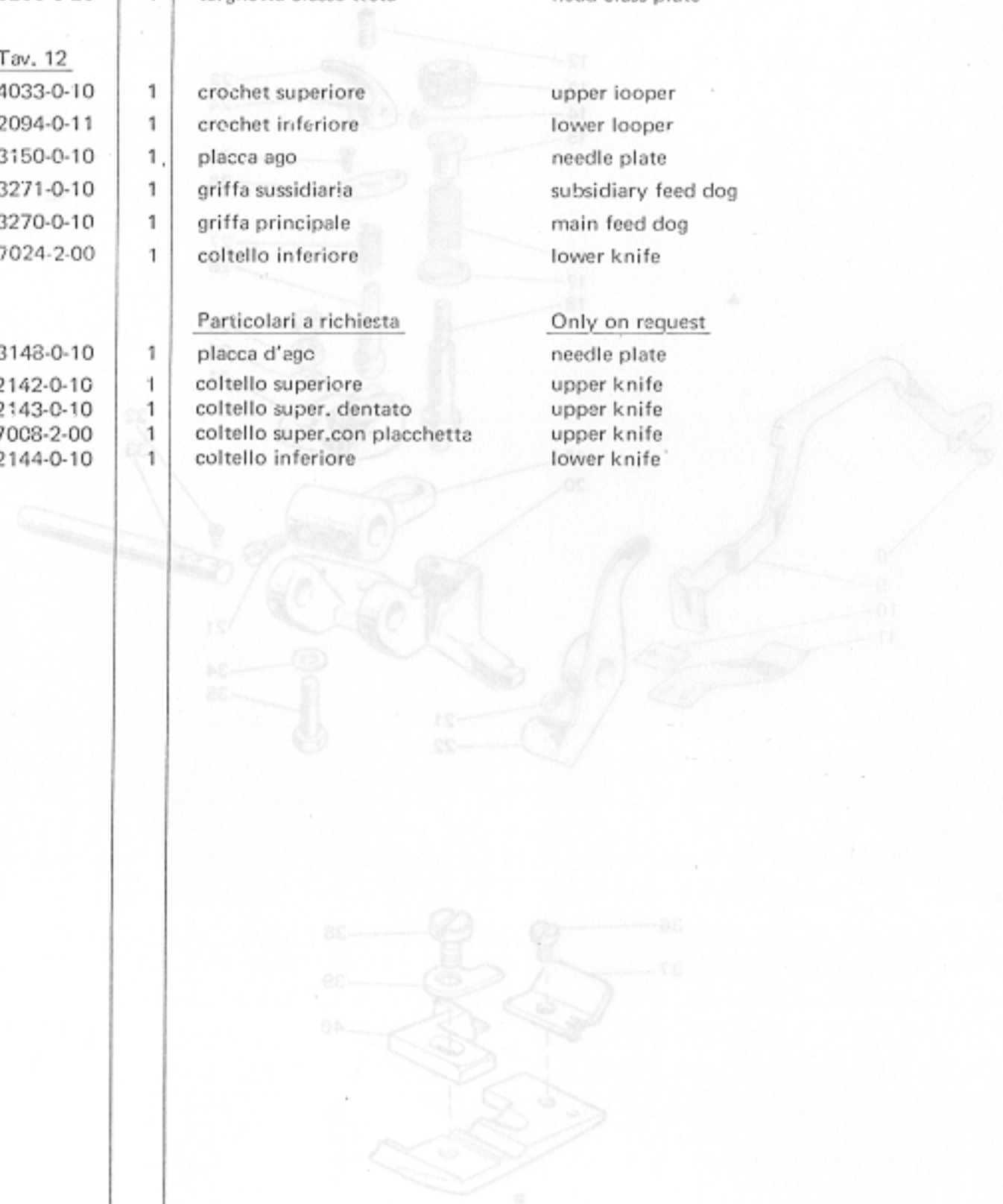
From the library of: Diamond Needle Corp

Rumoldi

| Fig. N. Abb. | Part. N. Bestell N. Piece N. Pieza N. | Ct. Anzahl | DESCRIZIONE | DESCRIPTION | BENENNUNG | DESCRIPTION | DESCRIPCION |
|--------------|---------------------------------------|------------|--------------------------------|------------------------|-----------|-------------|-------------|
| 30 | Tav. 3 780200-0-20 | 1 | targhetta classe testa | head class plate | | | |
| | Tav. 10 | | <u>Pezzi annullati</u> | <u>Cancelled parts</u> | | | |
| 15 | 203774-0-10 | 1 | piastrina fermo salva ago | stop plate | | | |
| 16 | 741445-0-00 | 1 | vite | screw | | | |
| 17 | 203775-0-10 | 1 | squadretta fermo spingi asola | stop bracket | | | |
| | Tav. 12 | | | | | | |
| 3 | 204033-0-10 | 1 | crochet superiore | upper looper | | | |
| 4 | 202094-0-11 | 1 | crochet inferiore | lower looper | | | |
| 5 | 203280-0-10 | 1 | placca d'ago | needle plate | | | |
| 7 | 203271-0-10 | 1 | griffa sussidiaria | subsidiary feed dog | | | |
| 8 | 203270-0-10 | 1 | griffa principale | main feed dog | | | |
| | | | <u>Particolari a richiesta</u> | <u>Only on request</u> | | | |
| 5 | 203149-0-10 | 1 | placca d'ago | needle plate | | | |
| 9 | 202142-0-10 | 1 | coltello superiore | upper knife | | | |
| | 202143-0-10 | 1 | coltello super. dentato | upper knife | | | |
| | 207008-2-00 | 1 | coltello super.con placchetta | upper knife | | | |
| 10 | 202146-0-10 | 1 | coltello inferiore | lower knife | | | |

From the library of: Diamond Needle Corp

| Fig. N. Abb. N. | Part. N. Bestell N. Piece N. Pieza N. | Qt. Anzahl | DESCRIZIONE | DESCRIPTION | BENENNUNG | DESCRIPTION | DESCRIPCION |
|--------------------|--|---------------|--------------------------------|------------------------|-----------|-------------|-------------|
| 30 | <u>Tav. 3</u> 780200-0-20 | 1 | targhetta classe testa | head class plate | | | |
| 3 | <u>Tav. 12</u> 204033-0-10 | 1 | crochet superiore | upper looper | | | |
| 4 | 202094-0-11 | 1 | crochet inferiore | lower looper | | | |
| 5 | 203150-0-10 | 1 | placca ago | needle plate | | | |
| 7 | 203271-0-10 | 1 | griffa sussidiaria | subsidiary feed dog | | | |
| 8 | 203270-0-10 | 1 | griffa principale | main feed dog | | | |
| 10 | 207024-2-00 | 1 | coltello inferiore | lower knife | | | |
| | | | <u>Particolari a richiesta</u> | <u>Only on request</u> | | | |
| 5 | 203148-0-10 | 1 | placca d'ago | needle plate | | | |
| 9 | 202142-0-10 | 1 | coltello superiore | upper knife | | | |
| | 202143-0-10 | 1 | coltello super. dentato | upper knife | | | |
| | 207008-2-00 | 1 | coltello super. con placchetta | upper knife | | | |
| 10 | 202144-0-10 | 1 | coltello inferiore | lower knife | | | |



From the library of: Diamond Needle Corp

| Fig. N. Abb. N. | Part. N. Bestell N. Piece N. Pieza N. | Qt. Anzahl | DESCRIZIONE | DESCRIPTION | BENENNUNG | DESCRIPTION | DESCRIPCION |
|--------------------|--|---------------|---------------------------------|-------------------------------------|-----------|-------------|-------------|
| ★ | 206250-4-00 | 1 | coperchio sup. compl. | upper cover assembly | | | |
| 1 | 206315-3-00 | 1 | coperchio con passafili | cover | | | |
| 2 | 206706-0-00 | 1 | passafilo | thread guide | | | |
| 3 | 202267-2-11 | 1 | passafilo dell'ago | thread guide | | | |
| 4 | 729011-2-00 | 2 | vite | screw | | | |
| 5 | 741535-0-00 | 1 | vite | screw | | | |
| 6 | 202519-0-01 | 1 | passafilo per morsetto | thread guide | | | |
| 7 | 206573-0-00 | 1 | tendifilo ago | thread take-up | | | |
| 8 | 741539-0-00 | 2 | vite | screw | | | |
| 9 | 206755-0-00 | 1 | colonnina per passafilo | thread tube | | | |
| 10 | 206812-0-00 | 1 | passafilo crochet super. | thread guide | | | |
| 11 | 744631-2-00 | 1 | vite | screw | | | |
| 12 | 202288-0-10 | 1 | squadretta | bracket | | | |
| 13 | 741415-0-00 | 1 | vite | screw | | | |
| 14 | 202279-0-10 | 1 | tendifilo | thread take-up | | | |
| 15 | 741657-0-00 | 1 | vite | screw | | | |
| 16 | 788001-0-01 | 1 | decalcomania sist.aghi Rim27 | needle Rim27 decalcomania | | | |
| 17 | 206711-0-00 | 3 | passafilo | thread guide | | | |
| 18 | 733503-0-00 | 3 | dado | nut | | | |
| 19 | 206746-0-00 | 1 | tampone | pad | | | |
| 20 | 745803-2-00 | 3 | vite | screw | | | |
| 21 | 206650-0-00 | 1 | tendifilo crochet inf. | thread take-up | | | |
| 22 | 720431-2-00 | 1 | vite | screw | | | |
| 23 | 206342-4-00 | 1 | tensione compl.con molla fig.26 | tension assembly with spring fig.26 | | | |
| 24 | 206341-4-00 | 2 | tensione compl.con molla fig.27 | tension assembly with spring fig.27 | | | |
| 25 | 202556-0-00 | 3 | scodellino | cup | | | |
| 26 | 202228-0-10 | 1 | molla per tensione fig. 23 | spring for tension fig. 23 | | | |
| 27 | 202227-0-10 | 2 | molla per tensione fig.24 | spring for tension fig.24 | | | |
| 28 | 202558-2-00 | 3 | pomolo | knob | | | |
| 29 | 202229-0-10 | 3 | bussola | bush | | | |
| 30 | 300218-0-10 | 5 | disco tensione | tension disc | | | |
| 31 | 206754-0-00 | 3 | rondella | washer | | | |
| 32 | 206747-0-01 | 3 | perno | pin | | | |

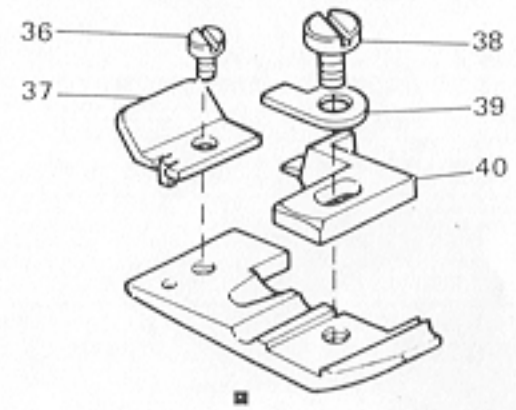
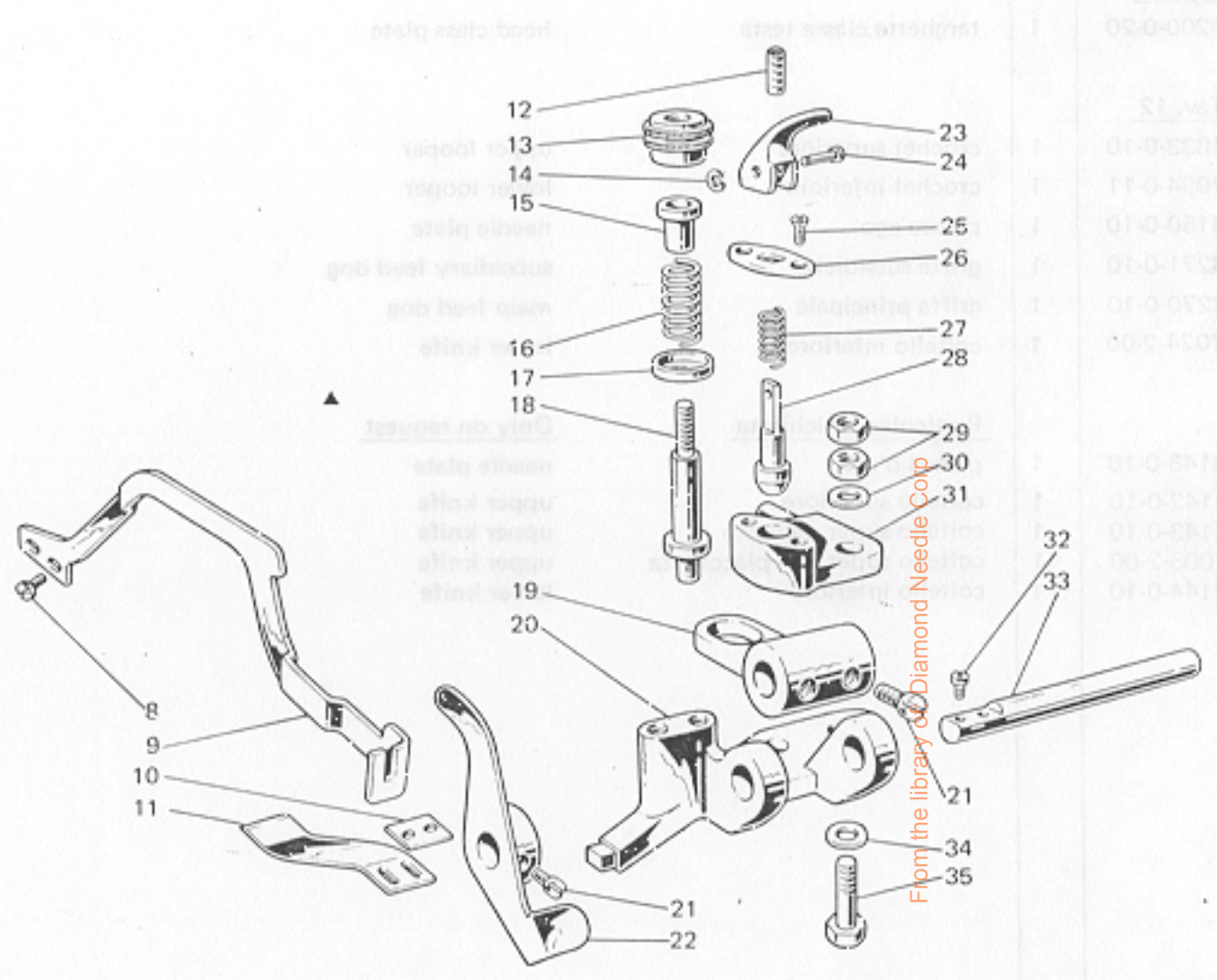
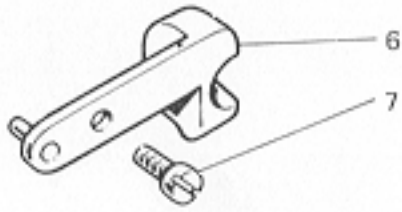
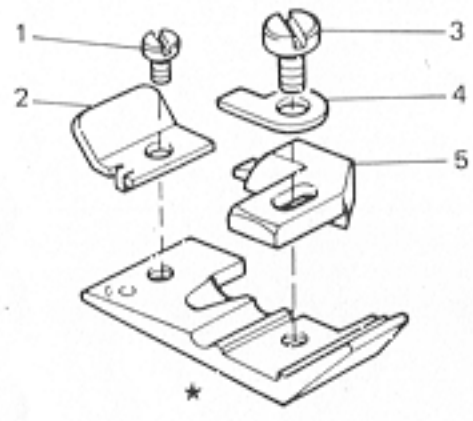
From the library of: Diamond Needle Corp

Rimoldi

TAV. 37

Rimoldi

DESCRIPTION BENEUNUNG DESCRIPTION DESCRIPTION



1337-00-1CD-011
357-55-1CD-05

TAV

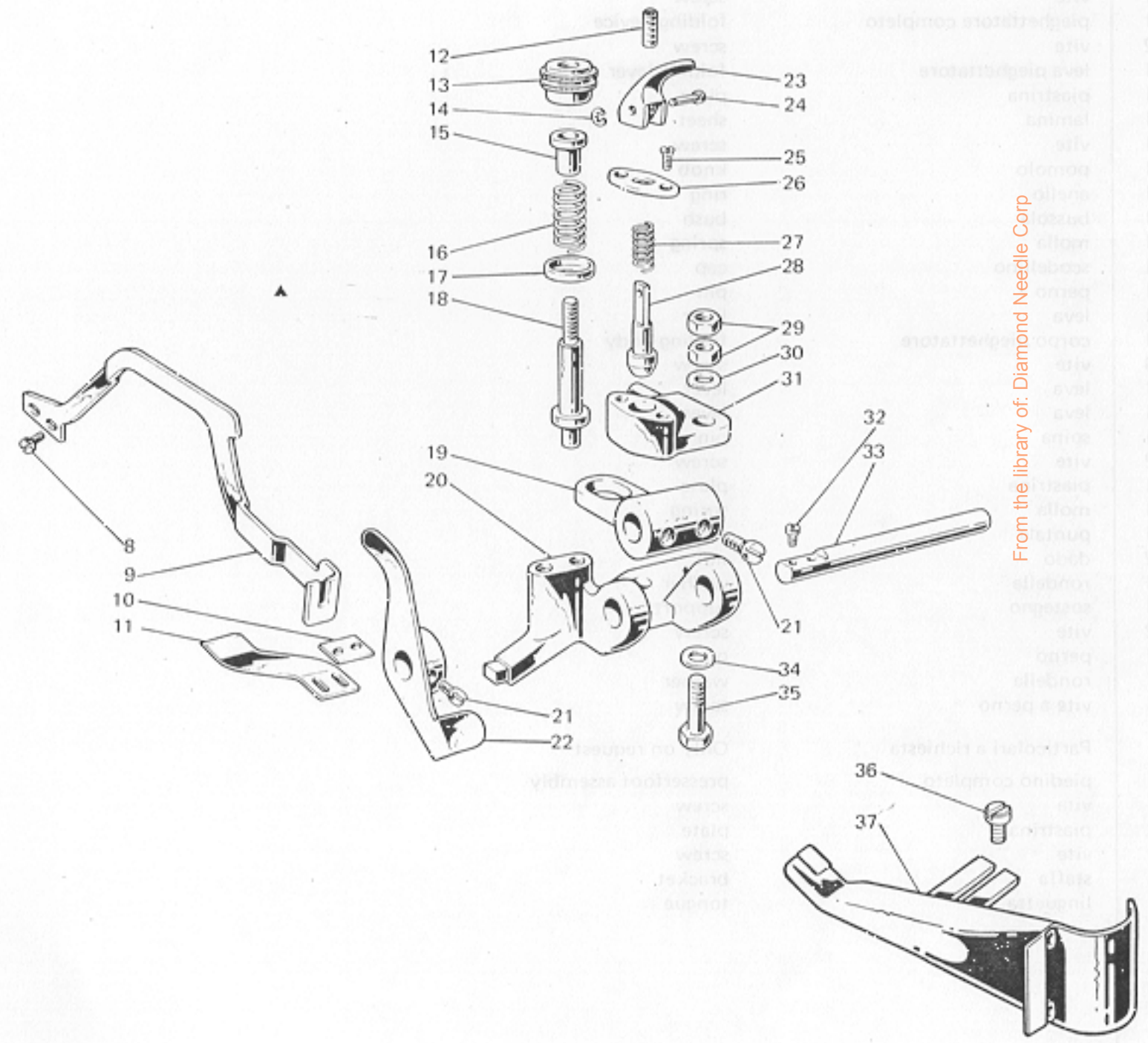
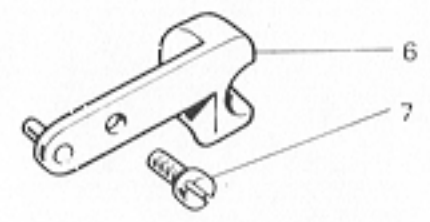
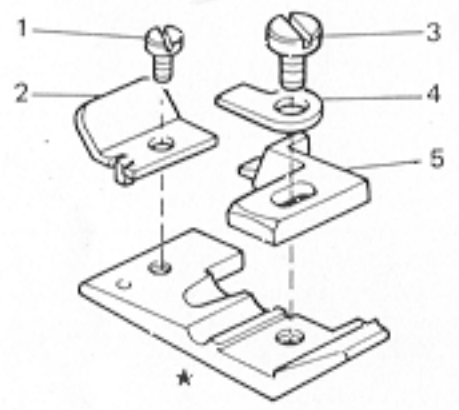
| | |
|---------|-------------|
| Part N. | 180200-0-20 |
| Part N. | 200028-0-10 |
| Part N. | 202604-0-11 |
| Part N. | 203180-0-10 |
| Part N. | 203271-0-10 |
| Part N. | 203270-0-10 |
| Part N. | 203024-0-00 |
| Part N. | 202148-0-10 |
| Part N. | 202142-0-10 |
| Part N. | 201002-0-00 |
| Part N. | 202144-0-10 |

| Fig. N. Abb. N. | Part. N. Bestell N. Piece N. Pieza N. | Qt. Anzahl | DESCRIZIONE | DESCRIPTION | BENENNUNG | DESCRIPTION | DESCRIPCION |
|--------------------|--|---------------|-------------------------|----------------------|-----------|-------------|-------------|
| ★ | 203159-3-10 | 1 | pedino completo | presserfoot assembly | | | |
| 1 | 741413-0-00 | 1 | vite | screw | | | |
| 2 | 202192-0-10 | 1 | piastrina | plate | | | |
| 3 | 741665-0-00 | 1 | vite | screw | | | |
| 4 | 202201-0-10 | 1 | staffa | bracket | | | |
| 5 | 202173-0-10 | 1 | linguetta | tongue | | | |
| 6 | 202193-0-10 | 1 | squadretta di fermo | bracket | | | |
| 7 | 721443-2-00 | 1 | vite | screw | | | |
| ▲ | 204915-4-12 | 1 | pieghettatore completo | folding device | | | |
| 8 | 300483-0-10 | 2 | vite | screw | | | |
| 9 | 206923-0-00 | 1 | leva pieghettatore | folding lever | | | |
| 10 | 204964-0-00 | 1 | piastrina | plate | | | |
| 11 | 204916-0-10 | 1 | lamina | sheet | | | |
| 12 | 729013-2-00 | 1 | vite | screw | | | |
| 13 | 200699-0-10 | 1 | pomolo | knob | | | |
| 14 | 700205-0-00 | 1 | anello | ring | | | |
| 15 | 200074-0-10 | 1 | bussola | bush | | | |
| 16 | 204937-0-10 | 1 | molla | spring | | | |
| 17 | 200821-0-10 | 1 | scodellino | cap | | | |
| 18 | 200698-0-10 | 1 | perno | pin | | | |
| 19 | 204926-0-10 | 1 | leva | lever | | | |
| 20 | 204914-0-10 | 1 | corpo pieghettatore | folding body | | | |
| 21 | 721434-2-00 | 4 | vite | screw | | | |
| 22 | 204924-2-10 | 1 | leva | lever | | | |
| 23 | 206909-0-00 | 1 | leva | lever | | | |
| 24 | 202100-0-10 | 1 | spina | pin | | | |
| 25 | 744533-0-00 | 2 | vite | screw | | | |
| 26 | 204935-0-10 | 1 | piastrina | plate | | | |
| 27 | 204938-0-10 | 1 | molla | spring | | | |
| 28 | 204936-0-10 | 1 | puntale | pin | | | |
| 29 | 746021-2-00 | 2 | dado | nut | | | |
| 30 | 704216-2-00 | 1 | rondella | washer | | | |
| 31 | 204927-0-10 | 1 | sostegno | support | | | |
| 32 | 741675-2-00 | 2 | vite | screw | | | |
| 33 | 204918-0-10 | 1 | perno | pin | | | |
| 34 | 704424-2-00 | 1 | rondella | washer | | | |
| 35 | 204934-0-10 | 1 | vite a perno | screw | | | |
| | | | Particolari a richiesta | Only on request | | | |
| ■ | 203158-3-10 | 1 | pedino completo | presserfoot assembly | | | |
| 36 | 741413-0-00 | 1 | vite | screw | | | |
| 37 | 202192-0-10 | 1 | piastrina | plate | | | |
| 38 | 741665-0-00 | 1 | vite | screw | | | |
| 39 | 202201-0-10 | 1 | staffa | bracket | | | |
| 40 | 202195-0-10 | 1 | linguetta | tongue | | | |

From the library of: Diamond Needle Corp

Rimoldi

TAV. 38



From the library of: Diamond Needle Corp

| Fig. N. Abb. N. | Part. N. Bestell N. Piece N. Pieza N. | Qt. Anzahl | DESCRIZIONE | DESCRIPTION | BENENNUNG | DESCRIPTION | DESCRIPCION |
|-----------------|---------------------------------------|------------|------------------------|----------------------|-----------|-------------|-------------|
| ★ | 203160-3-10 | 1 | piedino completo | presserfoot assembly | | | |
| 1 | 741413-0-00 | 1 | vite | screw | | | |
| 2 | 202192-0-10 | 1 | piastrina | plate | | | |
| 3 | 741665-0-00 | 1 | vite | screw | | | |
| 4 | 202201-0-10 | 1 | staffa | bracket | | | |
| 5 | 202195-0-10 | 1 | linguetta | tongue | | | |
| 6 | 202193-0-10 | 1 | squadretta di fermo | bracket | | | |
| 7 | 721443-2-00 | 1 | vite | screw | | | |
| ▲ | 204915-4-12 | 1 | pieghettatore completo | folding device | | | |
| 8 | 300483-0-10 | 2 | vite | screw | | | |
| 9 | 206923-0-00 | 1 | leva pieghettatore | folding lever | | | |
| 10 | 204964-0-00 | 1 | piastrina | plate | | | |
| 11 | 204916-0-10 | 1 | lamina | sheet | | | |
| 12 | 729013-2-00 | 1 | vite | screw | | | |
| 13 | 200699-0-10 | 1 | pornolo | knob | | | |
| 14 | 700205-0-00 | 1 | anello | ring | | | |
| 15 | 200074-0-10 | 1 | bussola | bush | | | |
| 16 | 204937-0-10 | 1 | molla | spring | | | |
| 17 | 200821-0-10 | 1 | scodellino | cap | | | |
| 18 | 200698-0-10 | 1 | perno | pin | | | |
| 19 | 204926-0-10 | 1 | leva | lever | | | |
| 20 | 204914-C-10 | 1 | corpo pieghettatore | folding body | | | |
| 21 | 721434-2-00 | 4 | vite | screw | | | |
| 22 | 204924-2-10 | 1 | leva | lever | | | |
| 23 | 206909-0-00 | 1 | leva | lever | | | |
| 24 | 202100-0-10 | 1 | spina | pin | | | |
| 25 | 744533-0-00 | 2 | vite | screw | | | |
| 26 | 204935-0-10 | 1 | piastrina | plate | | | |
| 27 | 204938-0-10 | 1 | molla | spring | | | |
| 28 | 204936-0-10 | 1 | puntale | pin | | | |
| 29 | 746021-2-00 | 2 | dado | nut | | | |
| 30 | 704216-2-00 | 1 | rondella | washer | | | |
| 31 | 204927-0-10 | 1 | sostegno | support | | | |
| 32 | 741675-2-00 | 2 | vite | screw | | | |
| 33 | 204918-0-10 | 1 | perno | pin | | | |
| 34 | 704424-2-00 | 1 | rondella | washer | | | |
| 35 | 204934-0-10 | 1 | vite a perno | screw | | | |
| 36 | 721444-2-00 | 2 | vite | screw | | | |
| 37 | 204930-2-10 | 1 | guida | guide | | | |

From the library of: Diamond Needle Corp

Rimoldi

327-23-1CD-02
(327-00-1CD-01)

TAV. 38

| Fig. N. Abb. N. | Part. N. Bestell N. Piece N. Pieza N. | Qt. Anzahl | DESCRIZIONE | DESCRIPTION | BENENNUNG | DESCRIPTION | DESCRIPCION |
|-----------------|---------------------------------------|------------|--------------------------------|------------------------|-----------|-------------|-------------|
| 30 | <u>Tav. 3</u> 780200-0-20 | 1 | targhetta classe testa | head class plate | | | |
| 3 | <u>Tav. 12</u> 204033-0-10 | 1 | crochet superiore | upper looper | | | |
| 4 | 202094-0-11 | 1 | crochet inferiore | lower looper | | | |
| 5 | 203148-0-10 | 1 | placca ago | needle plate | | | |
| 7 | 203141-0-10 | 1 | griffa sussidiaria | subsidiary feed dog | | | |
| 8 | 203140-0-10 | 1 | griffa principale | main feed dog | | | |
| | | | <u>Particolari a richiesta</u> | <u>Only on request</u> | | | |
| 5 | 203149-0-10 | 1 | placca d'ago | needle plate | | | |
| 9 | 202142-0-10 | 1 | coltello superiore | upper knife | | | |
| | 202143-0-10 | 1 | coltello super. dentato | upper knife | | | |
| | 207008-2-00 | 1 | coltello super. con piacchetta | upper knife | | | |
| 10 | 202146-0-10 | 1 | coltello inferiore | lower knife | | | |

From the library of: Diamond Needle Corp

| Fig. N. Abb. N. | Part. N. Bestell N. Piece N. Pieza N. | Qt. Anzahl | DESCRIZIONE | DESCRIPTION | BENENNUNG | DESCRIPTION | DESCRIPCION |
|--------------------|--|---------------|--------------------------------|------------------------|-----------|-------------|-------------|
| 30 | <u>Tav. 3</u> 780200-0-20 | 1 | targhetta classe testa | head class plate | | | |
| | <u>Tav. 10</u> | | | | | | |
| | | | <u>Pezzi annullati</u> | <u>Cancelled parts</u> | | | |
| 15 | 203774-0-10 | 1 | piastrina fermo salva ago | stop plate | | | |
| 16 | 741445-0-00 | 1 | vite | screw | | | |
| 17 | 203775-0-10 | 1 | squadretta fermo spingi asola | stop bracket | | | |
| | <u>Tav. 12</u> | | | | | | |
| 3 | 204033-0-10 | 1 | crochet superiore | upper looper | | | |
| 4 | 202094-0-11 | 1 | crochet inferiore | lower looper | | | |
| 5 | 203280-0-10 | 1 | placca d'ago | needle plate | | | |
| 7 | 203271-0-10 | 1 | griffa sussidiaria | subsidiary feed dog | | | |
| 8 | 203270-0-10 | 1 | griffa principale | main feed dog | | | |
| | | | <u>Particolari a richiesta</u> | <u>Only on request</u> | | | |
| 5 | 203149-0-10 | 1 | placca d'ago | needle plate | | | |
| 9 | 202142-0-10 | 1 | coltello superiore | upper knife | | | |
| | 202143-0-10 | 1 | coltello super. dentato | upper knife | | | |
| | 207008-2-00 | 1 | coltello super.con placchetta | upper knife | | | |
| 10 | 202146-0-10 | 1 | coltello inferiore | lower knife | | | |

From the library of: Diamond Needle Corp

Rumoldi

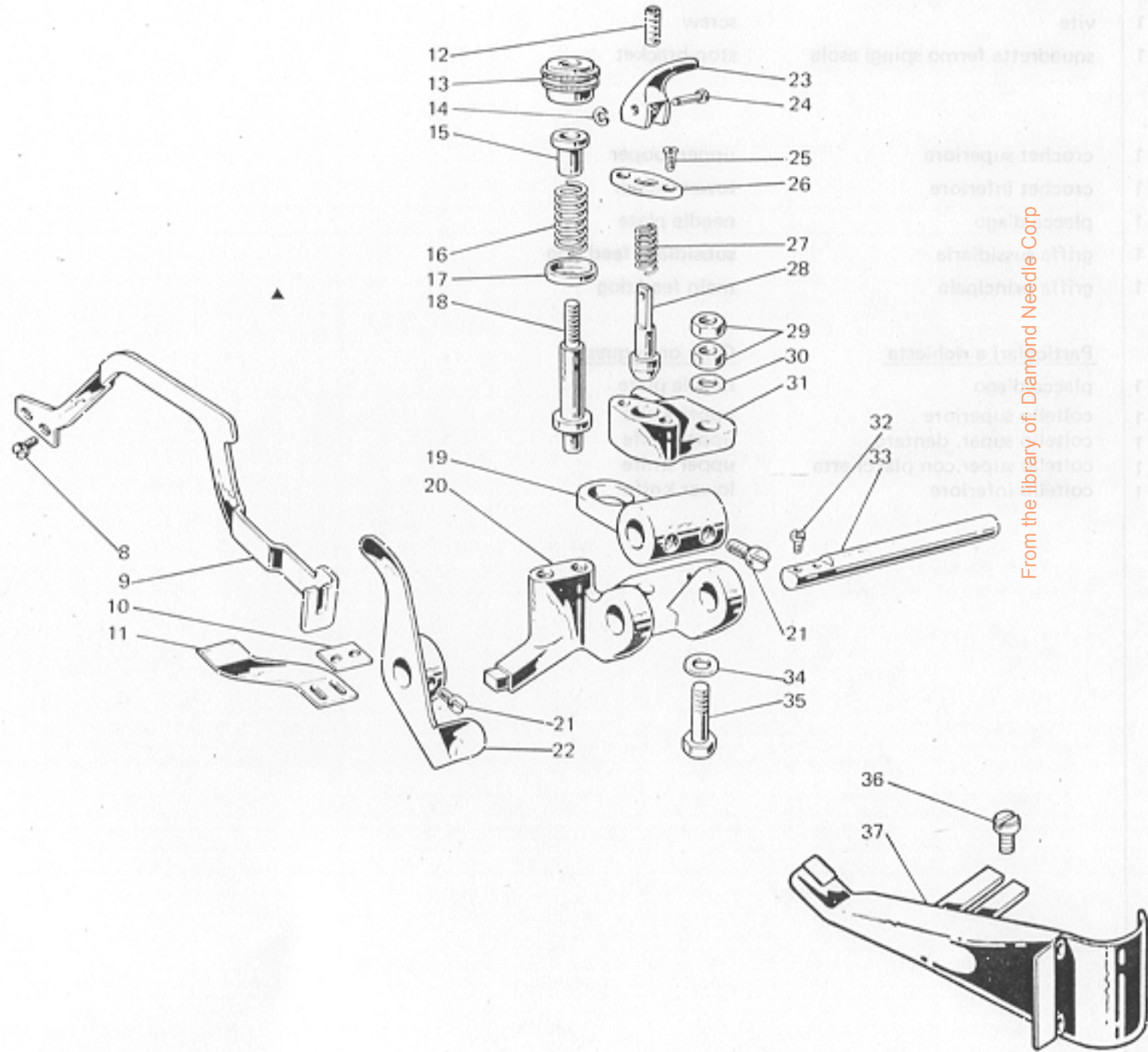
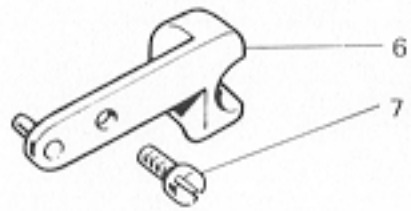
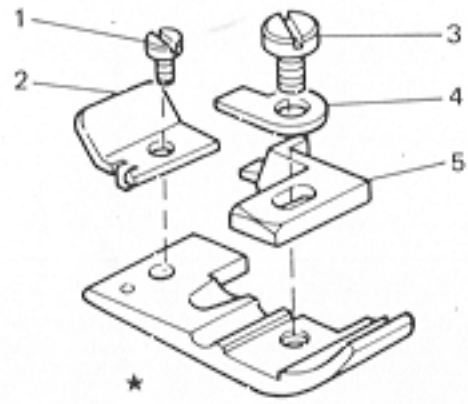
DESCRIPTION

BENENNUNG

DESCRIPTION

DESCRIZIONE

TAV. 39



From the library of: Diamond Needle Corp

| Fig. N. Abb. | Part. N. Bestell. N. Piece N. Pieza N. | Qt. Anzahl | DESCRIZIONE | DESCRIPTION | BENENNUNG | DESCRIPTION | DESCRIPCION |
|--------------|--|------------|------------------------|----------------------|-----------|-------------|-------------|
| ★ | 203157-3-10 | 1 | pedino completo | presserfoot assembly | | | |
| 1 | 741413-0-00 | 1 | vite | screw | | | |
| 2 | 202192-0-10 | 1 | piastrina | plate | | | |
| 3 | 741665-0-00 | 1 | vite | screw | | | |
| 4 | 202201-0-10 | 1 | staffa | bracket | | | |
| 5 | 202195-0-10 | 1 | linguetta | tongue | | | |
| 6 | 202193-0-10 | 1 | squadretta di fermo | bracket | | | |
| 7 | 721443-2-00 | 1 | vite | screw | | | |
| ▲ | 204915-4-12 | 1 | pieghettatore completo | folding device | | | |
| 8 | 300483-0-10 | 2 | vite | screw | | | |
| 9 | 206923-0-00 | 1 | leva pieghettatore | folding lever | | | |
| 10 | 204964-0-00 | 1 | piastrina | plate | | | |
| 11 | 204916-0-10 | 1 | lamina | sheet | | | |
| 12 | 729013-2-00 | 1 | vite | screw | | | |
| 13 | 200699-0-10 | 1 | pomolo | knob | | | |
| 14 | 700205-0-00 | 1 | anello | ring | | | |
| 15 | 200074-0-10 | 1 | bussola | bush | | | |
| 16 | 204937-0-10 | 1 | molla | spring | | | |
| 17 | 200821-0-10 | 1 | scodellino | cap | | | |
| 18 | 200698-0-10 | 1 | perno | pin | | | |
| 19 | 204926-0-10 | 1 | leva | lever | | | |
| 20 | 204914-0-10 | 1 | corpo pieghettatore | folding body | | | |
| 21 | 721434-2-00 | 4 | vite | screw | | | |
| 22 | 204924-2-10 | 1 | leva | lever | | | |
| 23 | 206909-0-00 | 1 | leva | lever | | | |
| 24 | 202100-0-10 | 1 | spina | pin | | | |
| 25 | 744533-0-00 | 2 | vite | screw | | | |
| 26 | 204935-0-10 | 1 | piastrina | plate | | | |
| 27 | 204938-0-10 | 1 | molla | spring | | | |
| 28 | 204936-0-10 | 1 | puntale | pin | | | |
| 29 | 746021-2-00 | 2 | dado | nut | | | |
| 30 | 704216-2-00 | 1 | rondella | washer | | | |
| 31 | 204927-0-10 | 1 | sostegno | support | | | |
| 32 | 741675-2-00 | 2 | vite | screw | | | |
| 33 | 204918-0-10 | 1 | perno | pin | | | |
| 34 | 704424-2-00 | 1 | rondella | washer | | | |
| 35 | 204934-0-10 | 1 | vite a perno | screw | | | |
| 36 | 721444-2-00 | 2 | vite | screw | | | |
| 37 | 204930-2-10 | 1 | guida | guide | | | |

From the library of: Diamond Needle Corp

501 101

Rumoldi

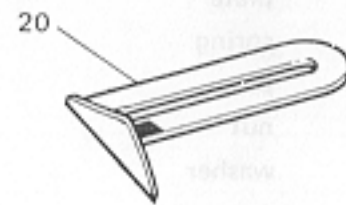
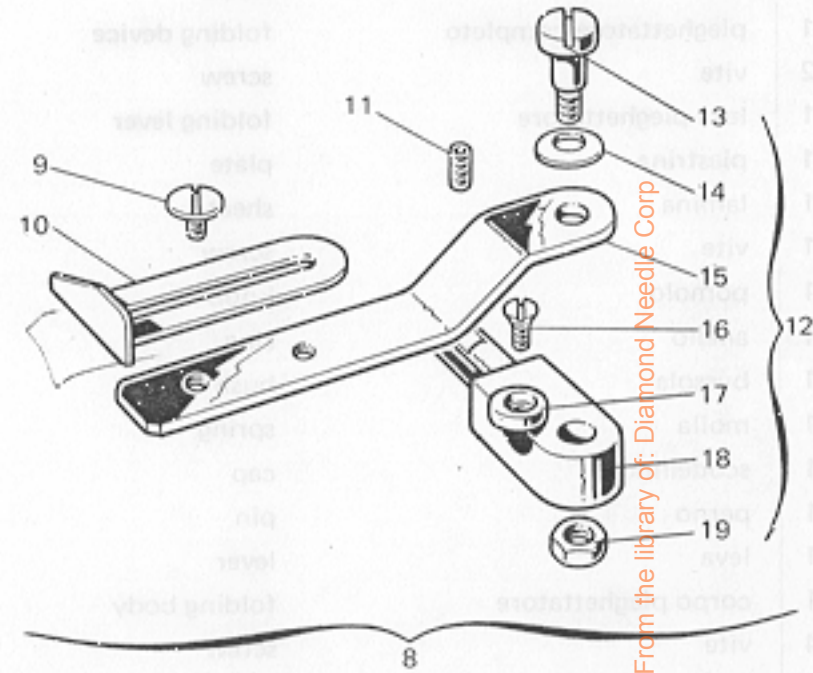
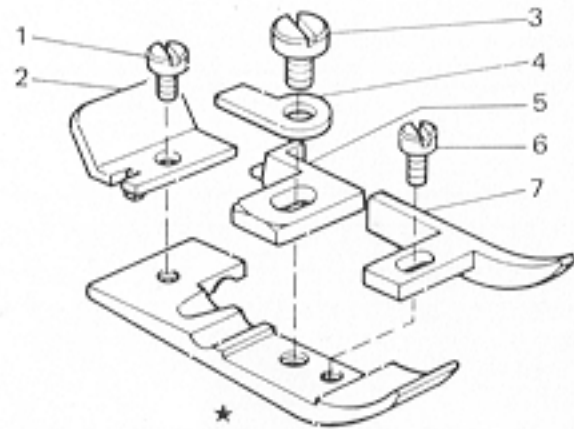
DESCRIPTION

BENENNUNG

DESCRIPTION

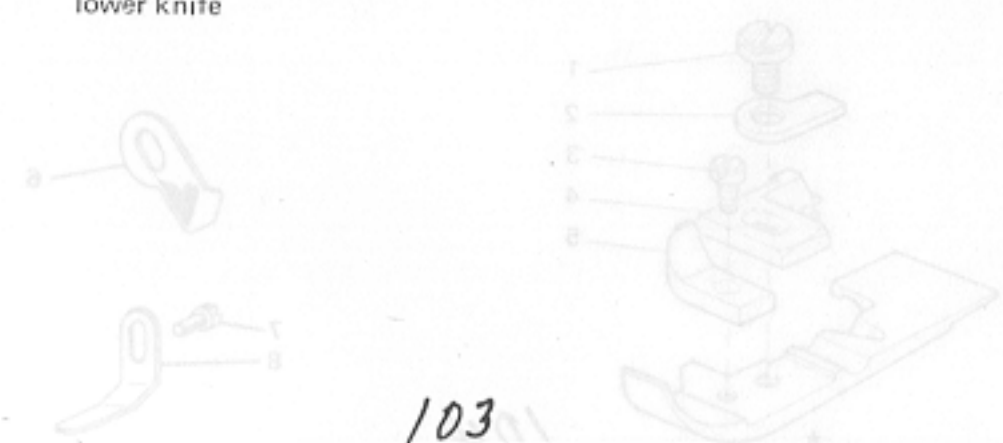
DESCRIZIONE

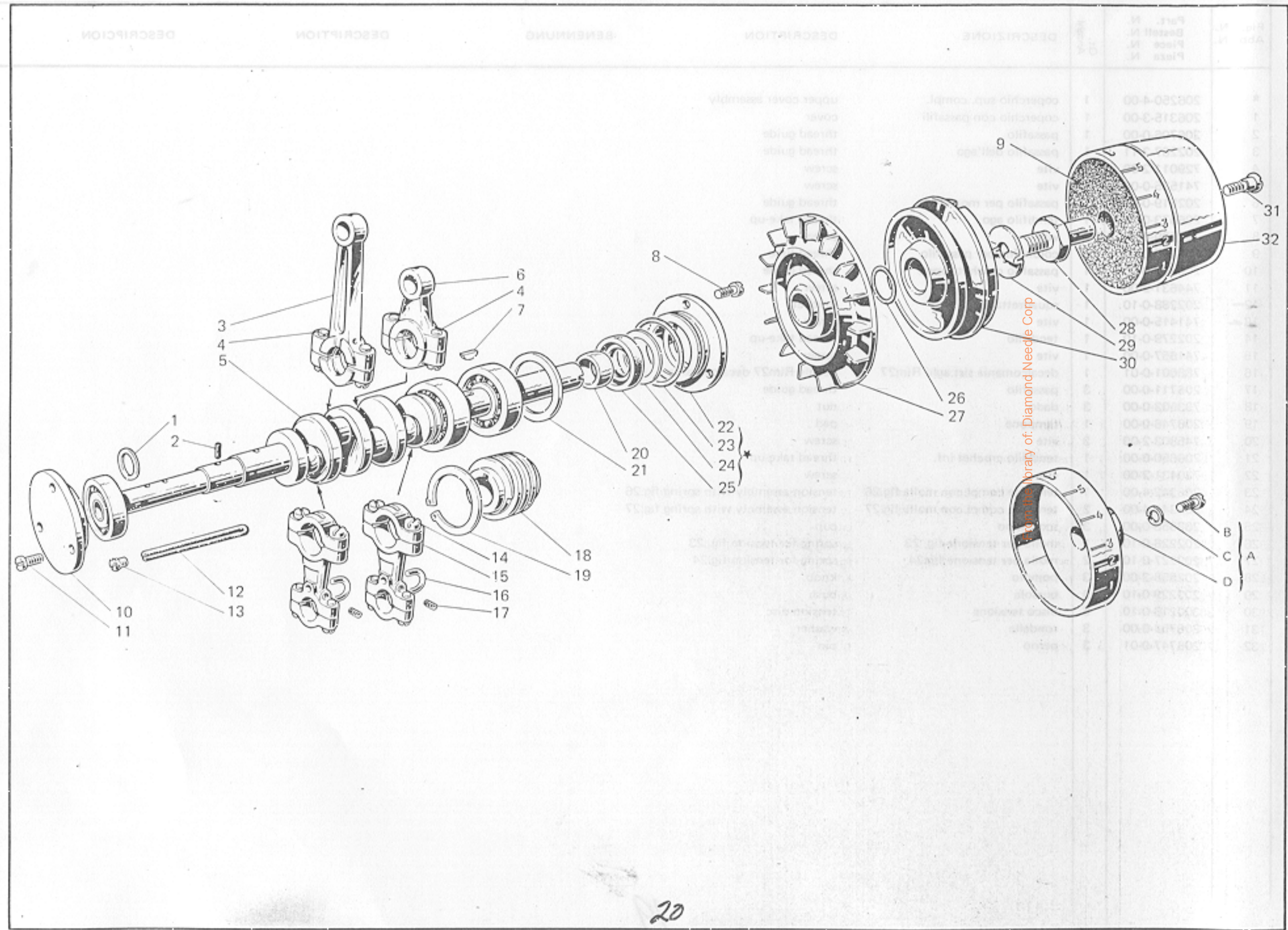
TAV. 40



| Fig. N. Abb. | N. N. | Part. N. Bestell N. Piece N. Pieza N. | Qt. Anzahl | DESCRIZIONE | DESCRIPTION | BENENNUNG | DESCRIPTION | DESCRIPCION |
|--------------|-------|---------------------------------------|------------|--------------------------------|----------------------|------------------------|-------------|-------------|
| ★ | | 202774-3-10 | 1 | pedino completo | presserfoot assembly | | | |
| 1 | | 741413-0-00 | 1 | vite | screw | | | |
| 2 | | 202192-0-10 | 1 | piastrina | plate | | | |
| 3 | | 741665-0-00 | 1 | vite | screw | | | |
| 4 | | 202201-0-10 | 1 | staffa | bracket | | | |
| 5 | | 202195-0-10 | 1 | linguetta | tongue | | | |
| 6 | | 741453-0-00 | 1 | vite | screw | | | |
| 7 | | 202775-0-10 | 1 | guida | guide | | | |
| 8 | | 202959-4-10 | 1 | guida completa | guide assembly | | | |
| 9 | | 201236-0-10 | 2 | vite | screw | | | |
| 10 | | 202957-2-10 | 1 | guida | guide | | | |
| 11 | | 729013-2-00 | 1 | vite | screw | | | |
| 12 | | 202958-4-10 | 1 | sostegno completo | support assembly | | | |
| 13 | | 743464-2-00 | 1 | vite | screw | | | |
| 14 | | 702406-0-00 | 1 | molla a tazza | spring | | | |
| 15 | | 202967-0-10 | 1 | supporto girevole | support | | | |
| 16 | | 744634-0-00 | 1 | vite | screw | | | |
| 17 | | 300710-0-10 | 1 | eccentrico | eccentric | | | |
| 18 | | 202970-0-10 | 1 | sostegno | support | | | |
| 19 | | 746007-2-00 | 1 | dado | nut | | | |
| 20 | | 202776-0-00 | 1 | guida | guide | | | |
| | | | | <u>Tav. 3</u> | | | | |
| 30 | | 730411-0-20 | 1 | targhetta classe testa | head class plate | | | |
| | | | | <u>Tav. 4</u> | | | | |
| ★ | | 206265-4-00 | 1 | coperchio superiore completo | upper cover assembly | | | |
| 24 | | 206343-4-00 | 1 | tensione completa | tension assembly | | | |
| 27 | | 202681-0-10 | 1 | molla | spring | | | |
| 32 | | 206747-0-00 | 1 | perno | pin | | | |
| | | | | <u>Tav. 12</u> | | | | |
| 3 | | 202092-0-10 | 1 | crochet superiore cieco | upper blind looper | | | |
| 5 | | 202507-0-10 | 1 | placca d'ago | needle plate | | | |
| | | | | <u>Particolari a richiesta</u> | | <u>Only on request</u> | | |
| 9 | | 202142-0-10 | 1 | coltello superiore | upper knife | | | |
| | | 202143-0-10 | 1 | coltello super. dentato | upper knife | | | |
| | | 207008-2-00 | 1 | coltello super.con placchetta | upper knife | | | |
| 10 | | 202146-0-10 | 1 | coltello inferiore | lower knife | | | |

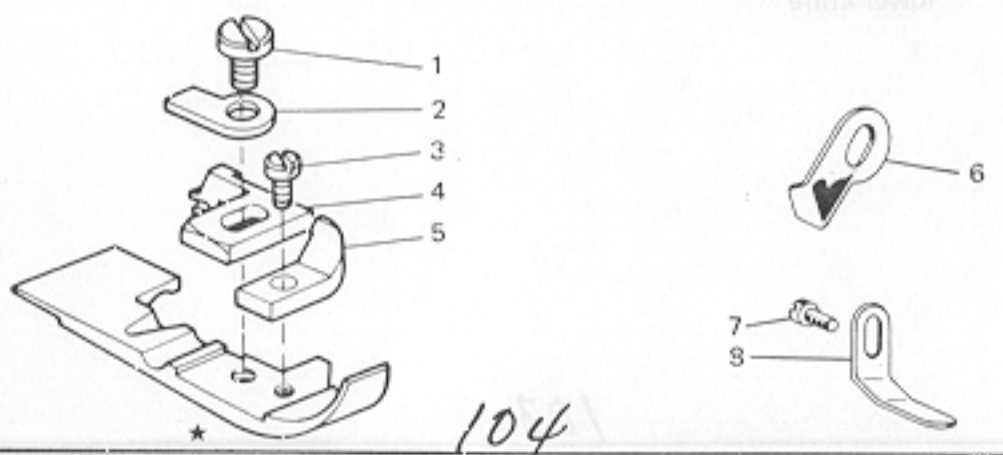
From the library of: Diamond Needle Corp



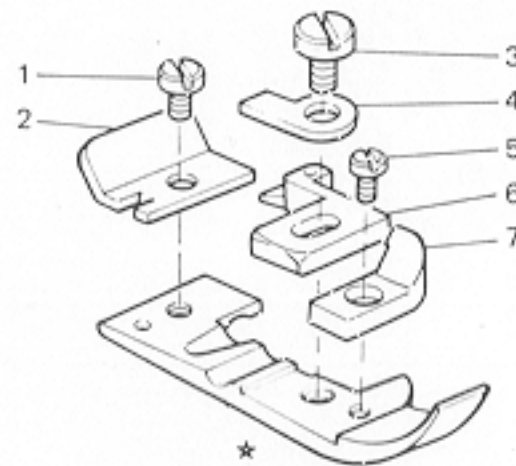


| Fig. N. Abb. N. | Part. N. Bestell N. Pieze N. Pieza N. | Qt. Anzahl | DESCRIZIONE | DESCRIPTION | BENENNUNG | DESCRIPTION | DESCRIPCION |
|--------------------|--|---------------|--------------------------------|------------------------|-----------|-------------|-------------|
| ★ | 202643-3-10 | 1 | pedino completo | presserfoot assembly | | | |
| 1 | 741665-0-00 | 1 | vite | screw | | | |
| 2 | 202201-0-10 | 1 | staffa | bracket | | | |
| 3 | 741431-0-00 | 1 | vite | screw | | | |
| 4 | 202661-0-10 | 1 | linguetta | tongue | | | |
| 5 | 202184-0-10 | 1 | blocchetto | block | | | |
| 6 | 200662-0-10 | 1 | carterino coltello superiore | upper knife cover | | | |
| 7 | 203187-0-10 | 1 | vite | screw | | | |
| 8 | 206771-0-00 | 1 | squadretta fermo pedino | stop bracket | | | |
| | <u>Tav. 3</u> | | | | | | |
| 30 | 780200-0-20 | 1 | targhetta classe testa | head class plate | | | |
| | <u>Tav. 12</u> | | | | | | |
| 3 | 204033-0-10 | 1 | crochet superiore | upper looper | | | |
| 4 | 202094-0-11 | 1 | crochet inferiore | lower looper | | | |
| 5 | 202636-0-10 | 1 | placca d'ago | needle plate | | | |
| 6 | 202609-0-10 | 1 | griffino | feed dog | | | |
| 7 | 202608-0-10 | 1 | griffa sussidiaria | subsidiary feed dog | | | |
| 8 | 202605-0-10 | 1 | griffa principale | main feed dog | | | |
| | | | <u>Particolari a richiesta</u> | <u>Only on request</u> | | | |
| 9 | 202142-0-10 | 1 | coltello superiore | upper knife | | | |
| | 202143-0-10 | 1 | coltello super. dentato | upper knife | | | |
| | 207008-2-00 | 1 | coltello super.con placchetta | upper knife | | | |
| 10 | 202146-0-10 | 1 | coltello inferiore | lower knife | | | |
| | <u>Tav. 10</u> | | | | | | |
| | | | <u>Pezzi annullati</u> | <u>Cancelled parts</u> | | | |
| 15 | 203774-0-10 | 1 | piastrina fermo salva ago | stop cover | | | |
| 16 | 741445-0-00 | 1 | vite | screw | | | |
| 17 | 203775-0-10 | 1 | squadretta fermo spingi asola | stop bracket | | | |

From the library of: Diamond Needle Corp



| Fig. N. Abb. N. | Part. N. Bestell N. Piece N. Pieza N. | Qt. Anzahl | DESCRIZIONE | DESCRIPTION | BENENNUNG | DESCRIPTION | DESCRIPCION |
|--------------------|--|---------------|--|---------------------------------------|-----------|-------------|-------------|
| ★ | 202175-3-10 | 1 | piedino completo | presserfoot assembly | | | |
| 1 | 741413-0-00 | 1 | vite | screw | | | |
| 2 | 202192-0-10 | 1 | piastrina | plate | | | |
| 3 | 741665-0-00 | 1 | vite | screw | | | |
| 4 | 202201-0-10 | 1 | staffa | bracket | | | |
| 5 | 741431-0-00 | 1 | vite | screw | | | |
| 6 | 202196-0-10 | 1 | linguetta | tongue | | | |
| 7 | 202184-0-10 | 1 | blocchetto | block | | | |
| | <u>Tav. 3</u> | | | | | | |
| 30 | 780200-0-20 | 1 | targhetta classe testa | head class plate | | | |
| | <u>Tav. 12</u> | | | | | | |
| 9 | 207006-2-00 | 1 | coltello superiore <u>Particolari a richiesta</u> | upper knife <u>Only on request</u> | | | |
| 9 | 203066-0-10 | | colteilo superiore | upper knife | | | |
| 10 | 202146-0-10 | | coltello inferiore | lower knife | | | |



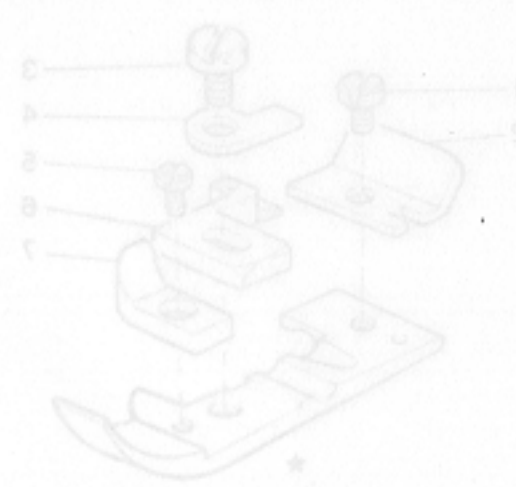
From the library of: Diamond Needle Corp

Rumoldi

327-29-1CD-02
(327-00-1CD-01)

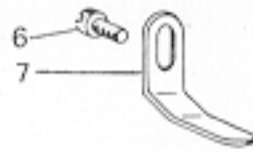
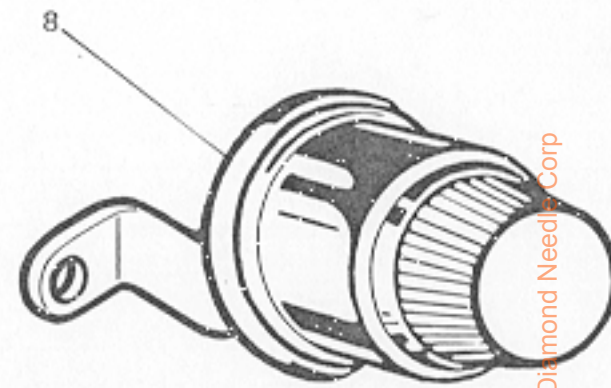
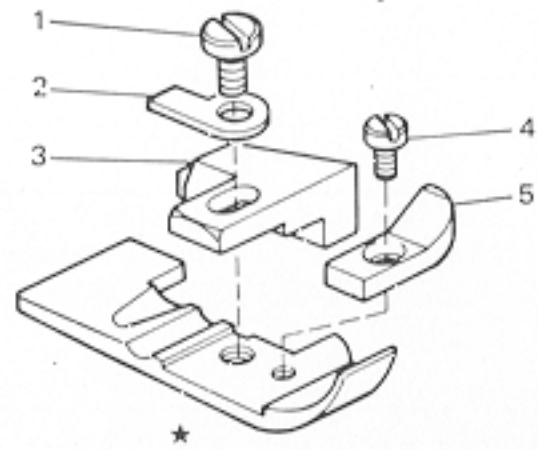
TAV. 43

| Fig. N. Abb. N. | Part. N. Bestell N. Piece N. Pieza N. | Qt. Anzahl | DESCRIZIONE | DESCRIPTION | BENENNUNG | DESCRIPTION | DESCRIPCION | |
|-----------------|---------------------------------------|------------|------------------------|--------------------------------|------------------------|-------------|-------------|--|
| ★ | 202176-3-10 | 1 | pedino completo | presserfoot assembly | | | | |
| 1 | 741413-0-00 | 1 | vite | screw | | | | |
| 2 | 202192-0-10 | 1 | piastrina | plate | | | | |
| 3 | 741675-2-00 | 1 | vite | screw | | | | |
| 4 | 202087-0-10 | 1 | piastrina | plate | | | | |
| 5 | 202201-0-10 | 1 | staffa | bracket | | | | |
| 6 | 202197-0-10 | 1 | linguetta | tongue | | | | |
| <u>Tav. 3</u> | | | | | | | | |
| 30 | 780200-2-00 | 1 | targhetta classe testa | head class plate | | | | |
| <u>Tav. 12</u> | | | | | | | | |
| 9 | 207006-2-00 | 1 | coltello superiore | upper knife | | | | |
| | | | | <u>Particolari a richiesta</u> | <u>Only on request</u> | | | |
| 9 | 203066-0-10 | | coltello superiore | upper knife | | | | |
| 10 | 202146-0-10 | | coltello inferiore | lower knife | | | | |



106

From the library of: Diamond Needle Corp

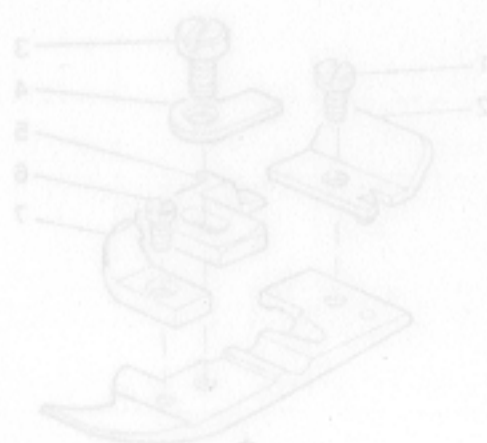


From the library of: Diamond Needle Corp

801

107

| Fig. N. | Part. N. Bestell N. Piece N. Pieza N. | Qt. Anzahl | DESCRIZIONE | DESCRIPTION | BENENNUNG | DESCRIPTION | DESCRIPCION |
|---------|---------------------------------------|------------|---|--|-----------|-------------|-------------|
| ★ | 202182-3-10 | 1 | piedino completo | presserfoot assembly | | | |
| 1 | 741665-0-00 | 1 | vite | screw | | | |
| 2 | 202201-0-10 | 1 | staffa | bracket | | | |
| 3 | 202200-0-10 | 1 | linguetta | tongue | | | |
| 4 | 741431-0-00 | 1 | vite | screw | | | |
| 5 | 203112-0-10 | 1 | blocchetto | block | | | |
| 6 | 203187-0-10 | 1 | vite | screw | | | |
| 7 | 206771-0-00 | 1 | squadretta | bracket | | | |
| 8 | 206346-4-00 | 1 | tensione completa (per componenti vedere tav.4 fig. 23) | tension assembly (for the parts see table 4 fig. 23) | | | |
| 9 | 206713-2-00 | 1 | passafilo | thread guide | | | |
| | <u>Tav. 3</u> | | | | | | |
| 30 | 780200-0-20 | 1 | targhetta classe testa | head class plate | | | |
| | <u>Tav. 4</u> | | | | | | |
| ★ | 206255-4-00 | 1 | coperchio sup. completo | upper cover assembly | | | |
| 1 | 206316-3-00 | 1 | coperchio con passafili | cover with thread guide | | | |
| 24 | 206343-4-00 | 2 | tensione completa | tension assembly | | | |
| 27 | 202681-0-10 | 2 | molla | spring | | | |
| | <u>Tav. 10</u> | | | | | | |
| | | | <u>Pezzi annullati</u> | <u>Cancelled parts</u> | | | |
| 2 | 202130-0-10 | 1 | perno | pin | | | |
| 3 | 202127-0-10 | 1 | placchetta | plate | | | |
| 4 | 744533-0-00 | 1 | vite | screw | | | |
| 6 | 202131-0-10 | 1 | nasello | snug | | | |
| 7 | 200663-0-10 | 1 | carterino | cover | | | |
| 8 | 202496-0-10 | 1 | vite | screw | | | |
| 13 | 704409-0-00 | 1 | rondella | washer | | | |
| 14 | 742457-2-00 | 1 | vite | screw | | | |
| 21 | 202134-0-10 | 1 | perno | pin | | | |
| | <u>Tav. 12</u> | | | | | | |
| 5 | 202150-0-10 | 1 | placca d'ago | needle plate | | | |
| 8 | 202767-4-10 | 1 | guida completa | guide assembly | | | |
| | | | <u>Pezzi annullati</u> | <u>Cancelled parts</u> | | | |
| 9 | 207000-2-00 | 1 | coltello superiore | upper knife | | | |
| 10 | 207015-2-00 | 1 | coltello inferiore | lower knife | | | |

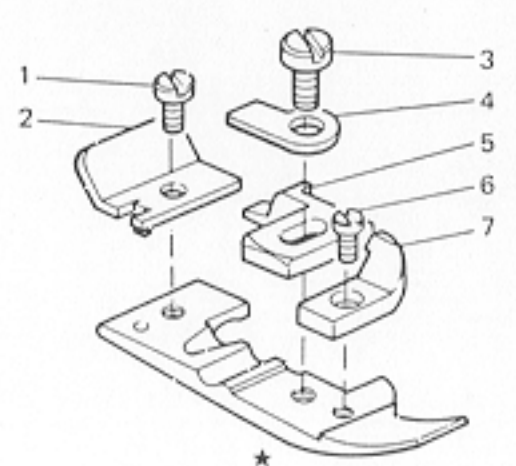


From the library of: Diamond Needle Corp

111

109

| Fig. N. / Abb. N. | Part. N. / Bestell N. / Piece N. / Pieza N. | Qt. / Anzahl | DESCRIZIONE | DESCRIPTION | BENENNUNG | DESCRIPTION | DESCRIPCION |
|-------------------|---|--------------|--------------------------------|------------------------|-----------|-------------|-------------|
| ★ | 203154-3-10 | 1 | pedino completo | presserfoot assembly | | | |
| 1 | 741413-0-00 | 1 | vite | screw | | | |
| 2 | 202192-0-10 | 1 | piastrina | plate | | | |
| 3 | 741665-0-00 | 1 | vite | screw | | | |
| 4 | 202201-0-10 | 1 | staffa | bracket | | | |
| 5 | 203172-0-10 | 1 | linguetta | tongue | | | |
| 6 | 741431-0-00 | 1 | vite | screw | | | |
| 7 | 202184-0-10 | 1 | blocchetto | block | | | |
| <u>Tav. 3</u> | | | | | | | |
| 30 | 780200-0-20 | 1 | targhetta classe testa | head class plate | | | |
| <u>Tav. 12</u> | | | | | | | |
| 3 | 204033-0-10 | 1 | crochet superiore | upper looper | | | |
| 4 | 202094-0-11 | 1 | crochet inferiore | lower looper | | | |
| 5 | 203147-2-10 | 1 | placca d'ago | needle plate | | | |
| 8 | 203199-0-10 | 1 | griffa principale | main feed dog | | | |
| | | | <u>Particolari a richiesta</u> | <u>Only on request</u> | | | |
| 9 | 202142-0-10 | 1 | coltello superiore | upper knife | | | |
| | 202143-0-10 | 1 | coltello super. dentato | upper knife | | | |
| | 207008-2-00 | 1 | coltello super. con placchetta | upper knife | | | |
| 10 | 202146-0-10 | 1 | coltello inferiore | lower knife | | | |

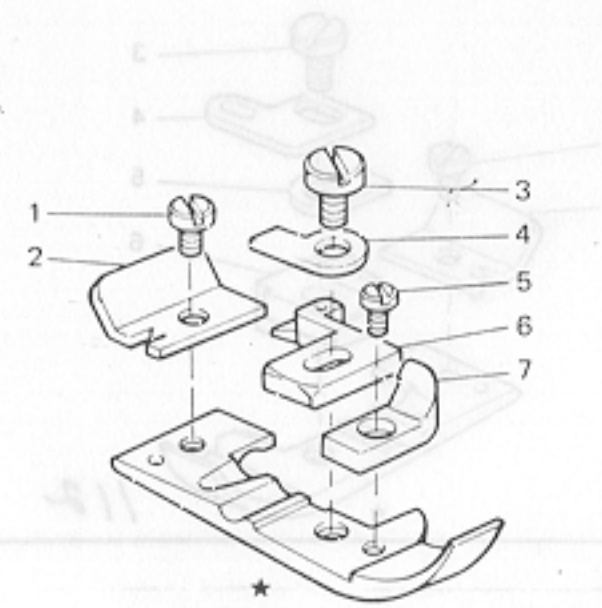


110

From the library of: Diamond Needle Corp

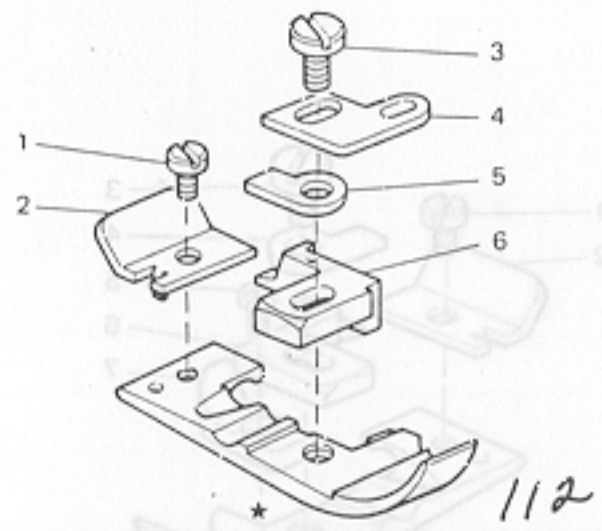
| Fig. N. Abb. N. | Part. N. Bestell N. Piece N. Pieza N. | Qt. Anzahl | DESCRIZIONE | DESCRIPTION | BENENNUNG | DESCRIPTION | DESCRIPCION |
|--------------------|--|---------------|--------------------------------|----------------------|-----------|-------------|-------------|
| ★ | 202175-3-10 | 1 | piedino completo | presserfoot assembly | | | |
| 1 | 741413-0-00 | 1 | vite | screw | | | |
| 2 | 202192-0-10 | 1 | piastrina | plate | | | |
| 3 | 741665-0-00 | 1 | vite | screw | | | |
| 4 | 202201-0-10 | 1 | staffa | bracket | | | |
| 5 | 741431-0-00 | 1 | vite | screw | | | |
| 6 | 202196-0-10 | 1 | linguetta | tongue | | | |
| 7 | 202184-0-10 | 1 | blocchetto | block | | | |
| | | | <u>Tav. 3</u> | | | | |
| 30 | 780200-0-20 | 1 | targhetta classe testa | head class plate | | | |
| | | | <u>Tav. 12</u> | | | | |
| 3 | 204033-0-10 | 1 | crochet superiore | upper looper | | | |
| 4 | 202094-0-11 | 1 | crochet inferiore | lower looper | | | |
| 5 | 203214-0-10 | 1 | placca ago | needle plate | | | |
| 8 | 203199-0-10 | 1 | griffa principale | main feed dog | | | |
| 9 | 207006-2-00 | 1 | coltello superiore | upper knife | | | |
| | | | <u>Particolari a richiesta</u> | | | | |
| | | | <u>Only on request</u> | | | | |
| 9 | 203066-0-10 | 1 | coltello superiore | upper knife | | | |
| 10 | 202146-0-10 | 1 | coltello inferiore | lower knife | | | |

From the library of: Diamond Needle Corp



///

| Fig. N. Abb. N. | Part. N. Bestell N. Piece N. Pieza N. | Qt. Anzahl | DESCRIZIONE | DESCRIPTION | BENENNUNG | DESCRIPTION | DESCRIPCION |
|-----------------|---------------------------------------|------------|--------------------------------|----------------------|------------------------|-------------|-------------|
| ★ | 202176-3-10 | 1 | piedino completo | presserfoot assembly | | | |
| 1 | 741413-0-00 | 1 | vite | screw | | | |
| 2 | 202192-0-10 | 1 | piastrina | plate | | | |
| 3 | 741675-2-00 | 1 | vite | screw | | | |
| 4 | 202087-0-10 | 1 | piastrina | plate | | | |
| 5 | 202201-0-10 | 1 | staffa | bracket | | | |
| 6 | 202197-0-10 | 1 | linguetta | tongue | | | |
| | | | <u>Tav. 3</u> | | | | |
| 30 | 780200-0-20 | 1 | targhetta classe testa | head class plate | | | |
| | | | <u>Tav. 12</u> | | | | |
| 3 | 204033-0-10 | 1 | crochet superiore | upper looper | | | |
| 4 | 202094-0-11 | 1 | crochet inferiore | lower looper | | | |
| 5 | 203214-0-10 | 1 | placca d'ago | needle plate | | | |
| 8 | 203199-0-10 | 1 | griffa principale | main feed dog | | | |
| 9 | 207006-2-00 | 1 | coltello superiore | upper knife | | | |
| | | | <u>Particolari a richiesta</u> | | <u>Only on request</u> | | |
| 9 | 203066-0-10 | 1 | coltello superiore | upper knife | | | |
| 10 | 202146-0-10 | 1 | coltello inferiore | lower knife | | | |
| | | | <u>Tav. 10</u> | | | | |
| | | | Pezzi annullati | | Cancelled parts | | |
| 15 | 203774-0-10 | 1 | piastrina fermo salva ago | stop plate | | | |
| 16 | 741445-0-00 | 1 | vite | screw | | | |
| 17 | 203775-0-10 | 1 | squadretta fermo spingi asola | stop bracket | | | |



From the library of: Diamond Needle Corp

| Fig. N. Abb. N. | Part. N. Bestell N. Piece N. Pieza N. | Qt. Anzahl | DESCRIZIONE | DESCRIPTION | BENENNUNG | DESCRIPTION | DESCRIPCION |
|--------------------|--|---------------|--------------------------------|----------------------|-----------|-------------|-------------|
| ★ | 203800-3-10 | 1 | pedino completo | presserfoot assembly | | | |
| 1 | 741413-0-00 | 1 | vite | screw | | | |
| 2 | 202795-0-10 | 1 | piastrina | plate | | | |
| 3 | 741665-0-00 | 1 | vite | screw | | | |
| 4 | 202201-0-10 | 1 | staffa | bracket | | | |
| 5 | 203801-2-10 | 1 | piastrina | plate | | | |
| 6 | 203804-0-10 | 1 | linguetta | tongue | | | |
| | <u>Tav. 3</u> | | | | | | |
| — | 206358-4-00 | 1 | sportello anteriore completo | front cover assembly | | | |
| 16 | 206933-2-00 | 1 | sportello scorrevole | sliding cover | | | |
| 30 | 780200-0-20 | 1 | targhetta classe testa | head class plate | | | |
| | <u>Tav. 10</u> | | | | | | |
| 3 | 203065-0-10 | 1 | placchetta porta coltello sup. | upper knife plate | | | |
| 4 | 744553-0-00 | 1 | vite | screw | | | |
| 8 | 203087-0-10 | 1 | vite | screw | | | |
| | <u>Tav. 12</u> | | | | | | |
| 3 | 204033-0-10 | 1 | crochet superiore | upper looper | | | |
| 4 | 202094-0-11 | 1 | crochet inferiore | lower looper | | | |
| 5 | 203072-0-10 | 1 | placca ago | needle plate | | | |
| 7 | 203062-0-10 | 1 | griffa sussidiaria | subsidiary feed dog | | | |
| 8 | 203060-0-10 | 1 | griffa principale | main feed dog | | | |
| 9 | 207006-2-00 | 1 | coltello superiore | upper knife | | | |
| 10 | 207017-2-00 | 1 | coltello inferiore | lower knife | | | |
| | <u>Particolari a richiesta</u> | | | | | | |
| | <u>Only on request</u> | | | | | | |
| 9 | 203066-0-10 | 1 | coltello superiore | upper knife | | | |
| 10 | 203069-0-10 | 1 | coltello inferiore | lower knife | | | |
| | <u>Tav. 10</u> | | | | | | |
| | Pezzi annullati | | | | | | |
| | Cancelled parts | | | | | | |
| 15 | 203774-0-10 | 1 | piastrina fermo salva ago | stop plate | | | |
| 16 | 741445-0-00 | 1 | vite | screw | | | |
| 17 | 203775-0-10 | 1 | squadretta fermo spingi asola | stop bracket | | | |

From the library of: Diamond Needle Corp

